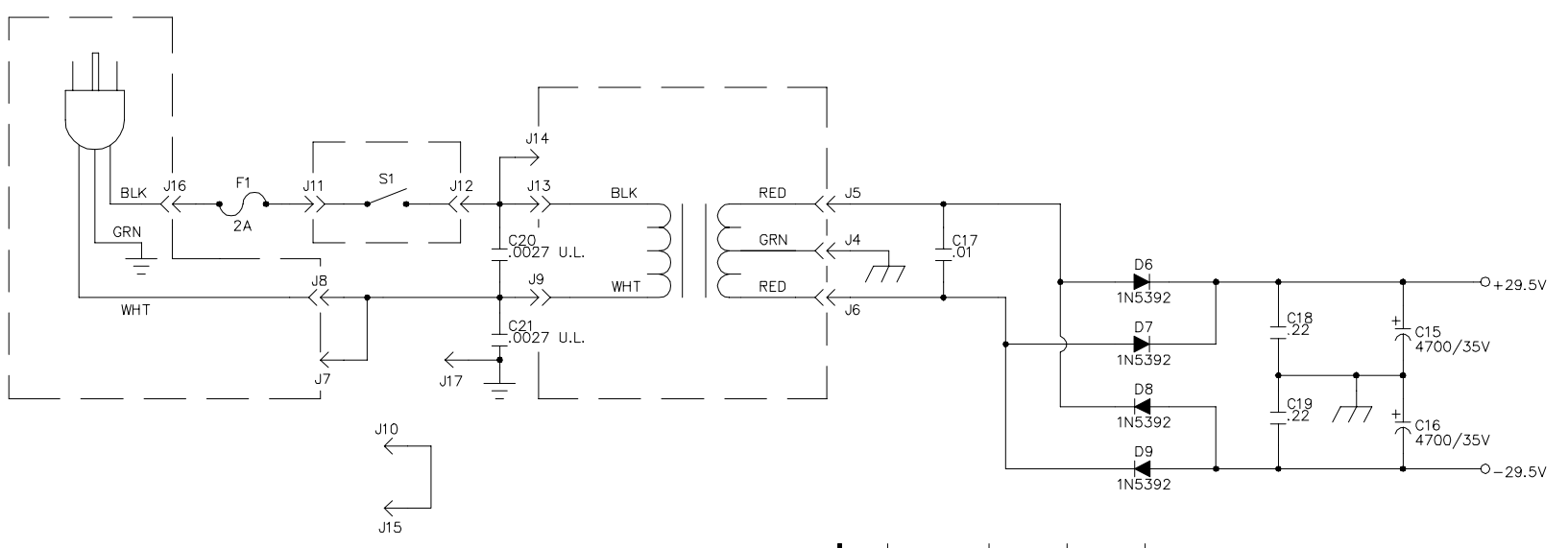
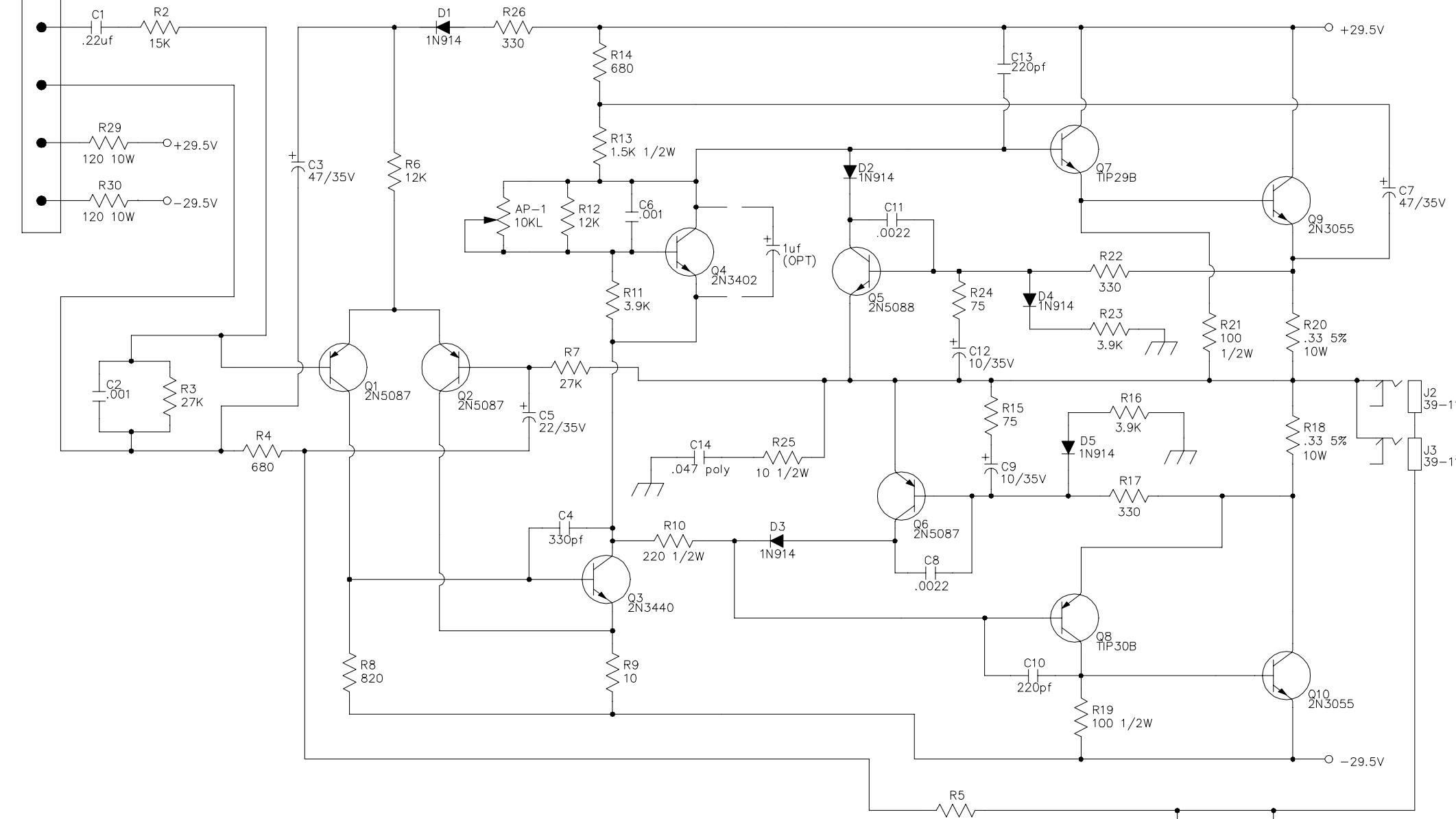


J1
17-309-04



REV	DATE	BY	CHK'D	DESCRIPTION
3	11/19/96	REM		CHG'D 01 FUSECLIPS TO 02 FUSECLIPS
2	02/01/95	JCJ		CHG'D DESIGNATOR Q3 FROM MPS-U-06 TO 2N3440 PER ECO # E0516
1	10/20/92	SWR		CHANGED TITLE OF DRAWING

SIGNATURES:		DATE:	11880 BORMAN DR. ST. LOUIS, MISSOURI 63146	
DRAWN:	DAN	2/6/89	PROJECT NAME: GX-600H	
CHK'D:			DRAWING NAME: SCHEMATIC DRAWING	
APP'D:			DRAWING NO. 07S422-01	DRAWING SHEET: 1 OF 1
ORIGINAL ISSUED:	2/6/89		SCALE: 1:1	
PLOT DATE:	10/01/97			
PLOT TIME:	14:26:32			
FILE NAME:	42201h4_			

6					
5					
4	10/01/97	MAG			CHG'D 12-226-32,12-476-32,96-587-01,96-588-01 TO RADIAL INSERTION PARTS PER E970571.