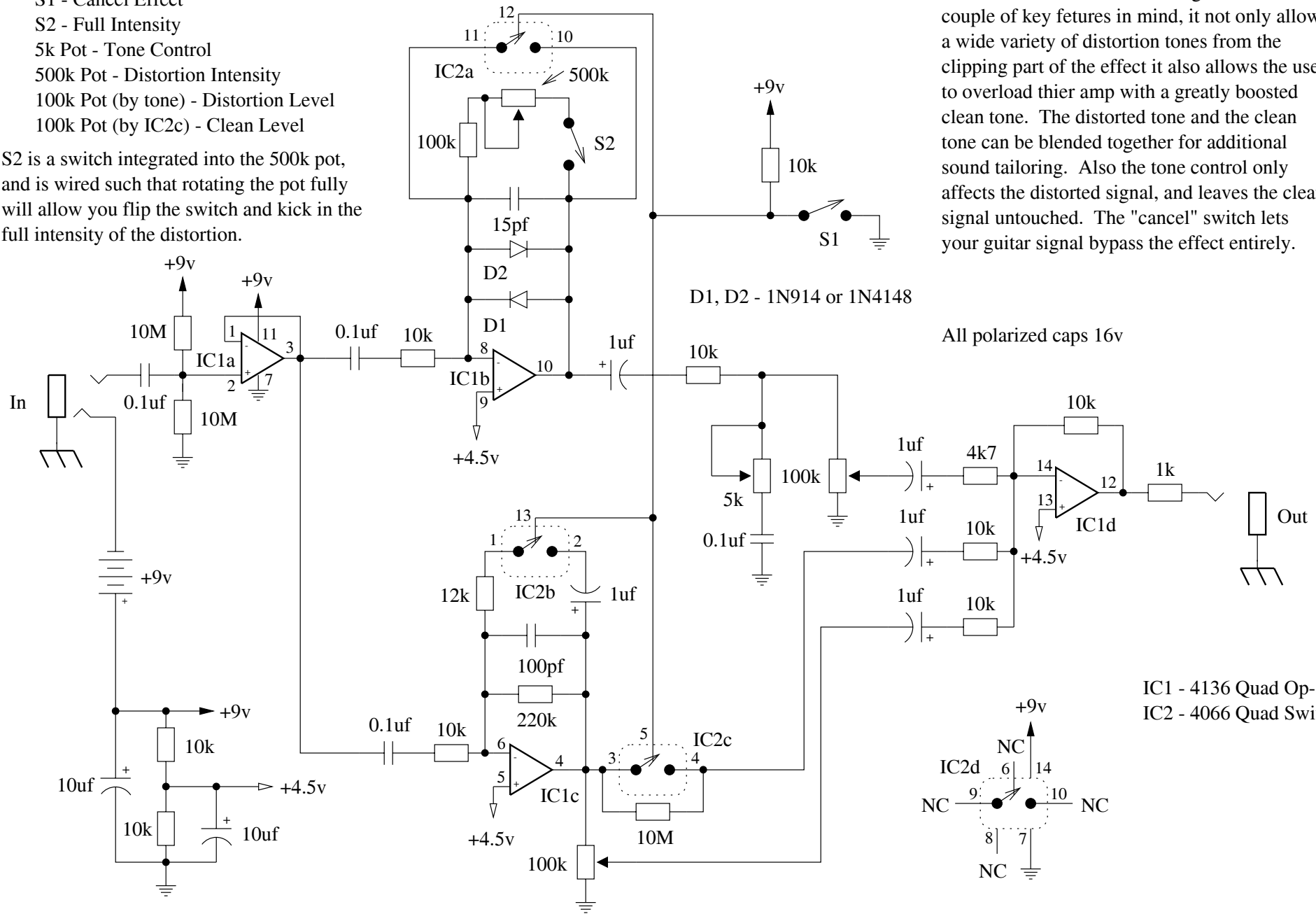


- S1 - Cancel Effect
- S2 - Full Intensity
- 5k Pot - Tone Control
- 500k Pot - Distortion Intensity
- 100k Pot (by tone) - Distortion Level
- 100k Pot (by IC2c) - Clean Level

S2 is a switch integrated into the 500k pot, and is wired such that rotating the pot fully will allow you flip the switch and kick in the full intensity of the distortion.

The Axe Grinder has been designed with a couple of key fetures in mind, it not only allows a wide variety of distortion tones from the clipping part of the effect it also allows the user to overload thier amp with a greatly boosted clean tone. The distorted tone and the clean tone can be blended together for additional sound tailoring. Also the tone control only affects the distorted signal, and leaves the clean signal untouched. The "cancel" switch lets your guitar signal bypass the effect entirely.



All polarized caps 16v

D1, D2 - 1N914 or 1N4148

IC1 - 4136 Quad Op-amp
 IC2 - 4066 Quad Switch

