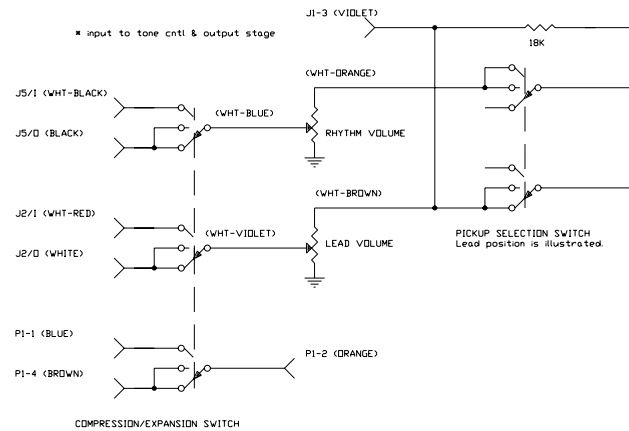


RD Artist switch wiring description:



NOTE:  
 (1) Both compression and expansion effects are determined by the lead pickup output only.  
 (2) P and J designations refer to plugs and jacks respectively.  
 (3) I and O designations refer to inner and outer connections for the specific plug/jack.  
 (4) Two green wires connecting P1-(5,6) are signal grounds. P1-0 is used for plug polarity sensing.

GIBSON RD-Artist	
Title Schematic drawn by Fabian P. Hortery	
RD Artist Active Electronics (Assy. Rev. C)	
Size	Document Number
C	996-042368-001 (MDDG 980-042367A)
Date: November 20, 1994	Sheet 1 of 1