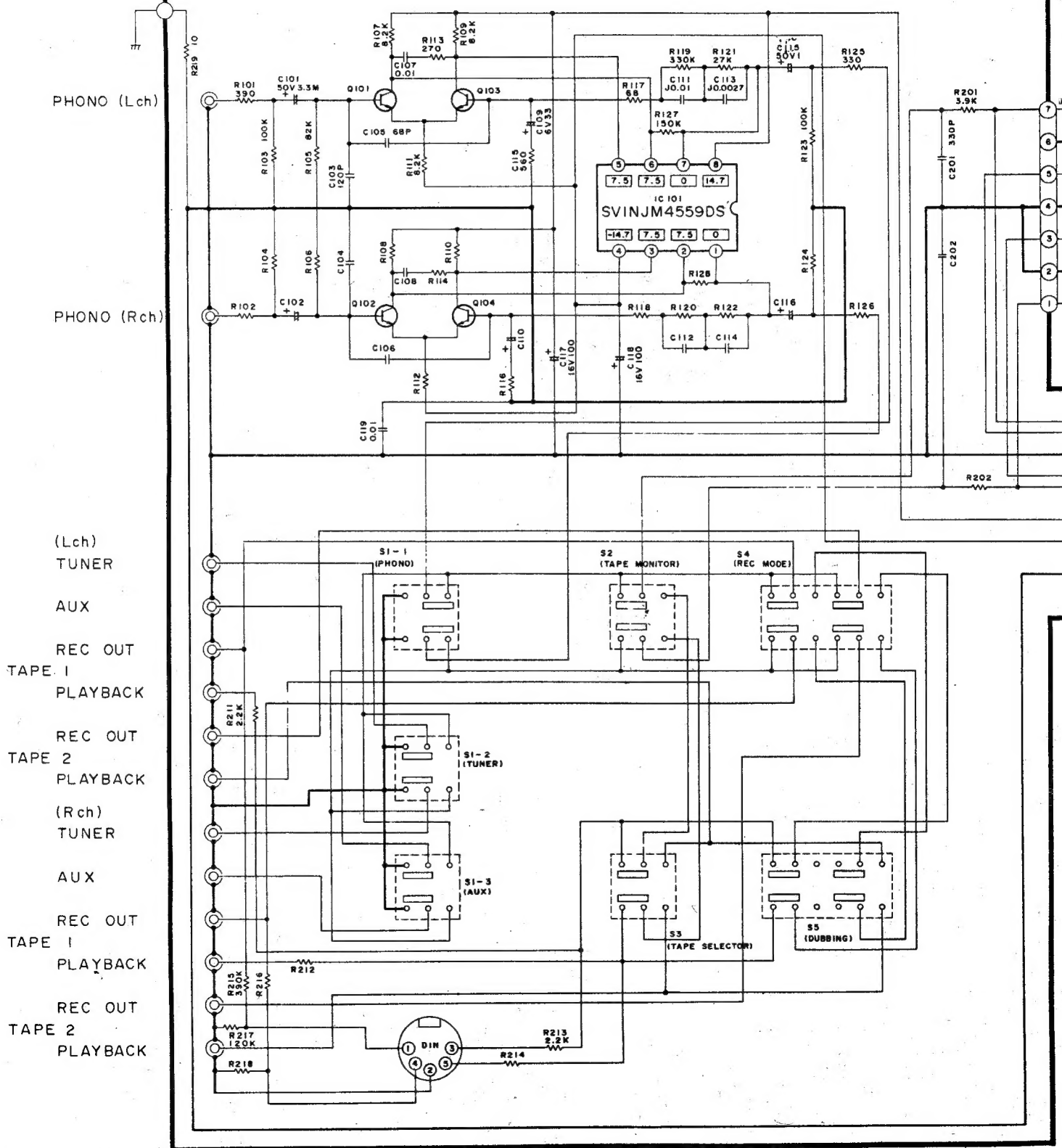


Q101 ~ 104
2SC 2320

SUP 21591 A



PHONO (Lch)

PHONO (Rch)

(Lch)
TUNER

AUX

REC OUT
TAPE 1
PLAYBACK

REC OUT
TAPE 2
PLAYBACK

(Rch)
TUNER

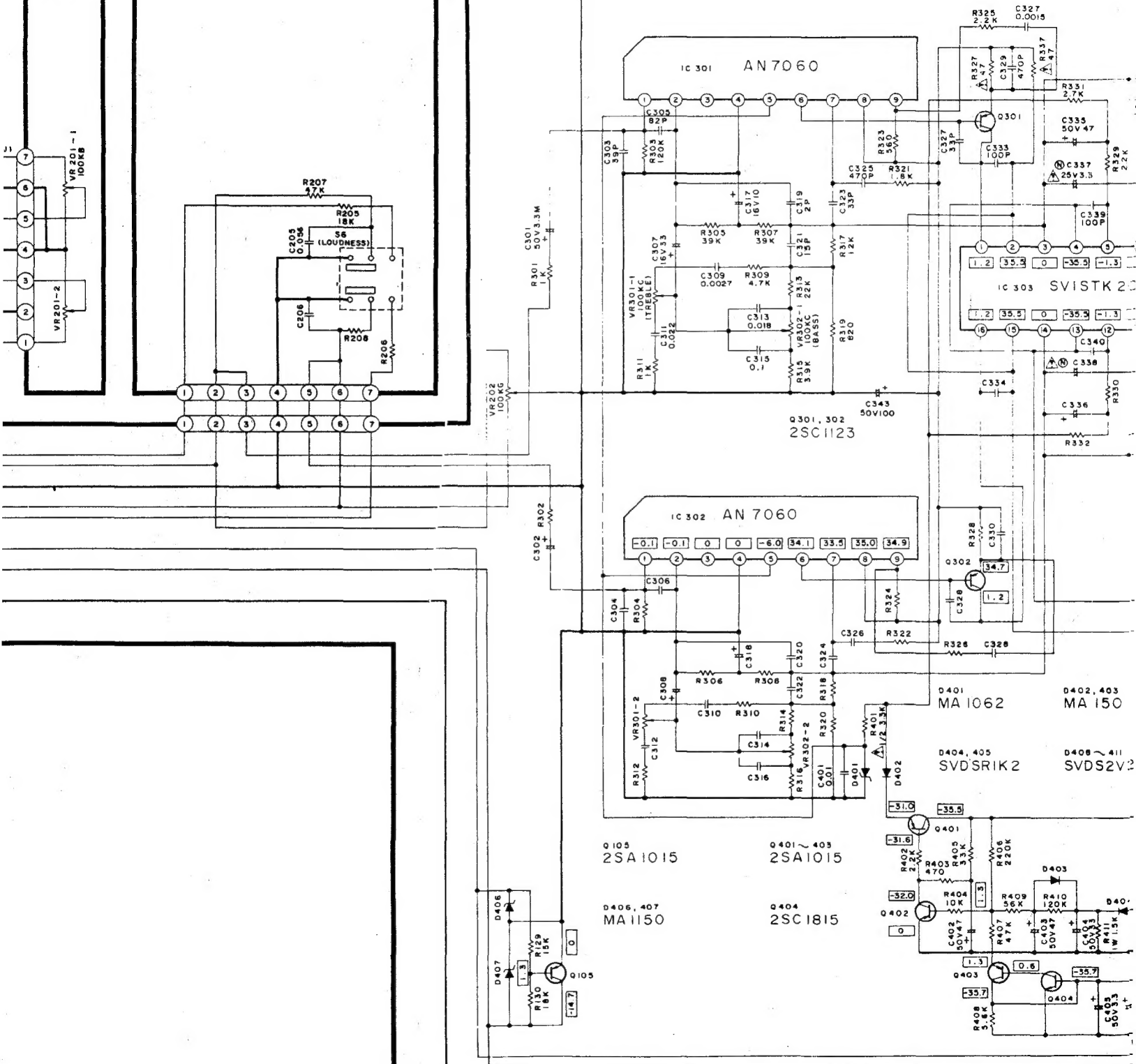
AUX

REC OUT
TAPE 1
PLAYBACK

REC OUT
TAPE 2
PLAYBACK

SUP
21591 B

SUP 21591 D



IC 301 AN 7060

IC 302 AN 7060

IC 303 SVISTK 20

Q301, 302
2SC1123

Q105
2SA1015

Q401 ~ 403
2SA1015

D406, 407
MA1150

Q404
2SC1815

D401
MA1062

D402, 403
MA150

D404, 405
SVDSRIK 2

D408 ~ 411
SVDS2V2

-31.0

-35.9

-32.0

-31.6

-32.0

-31.3

-35.7

0.6

-35.7

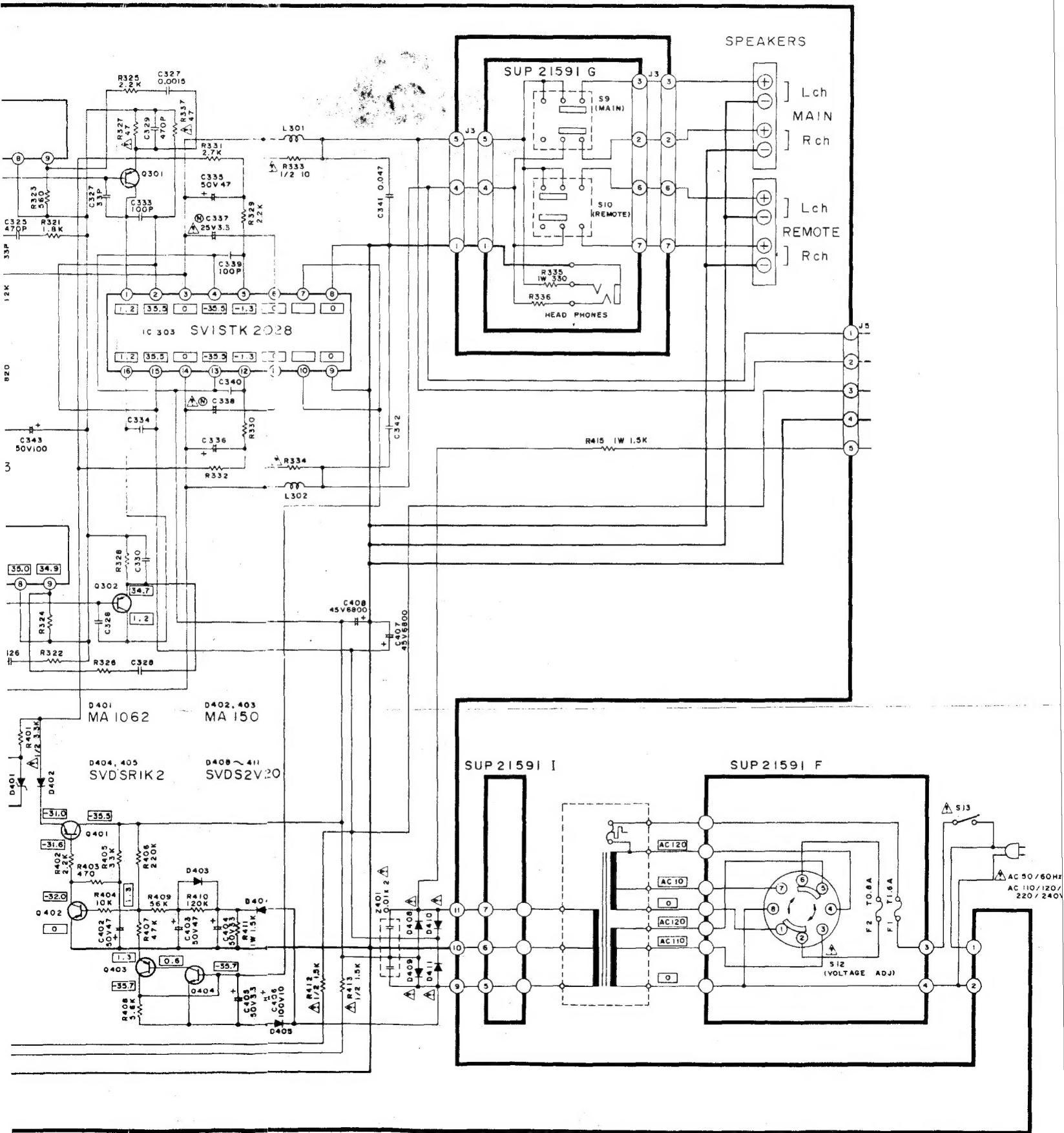
0.6

-35.7

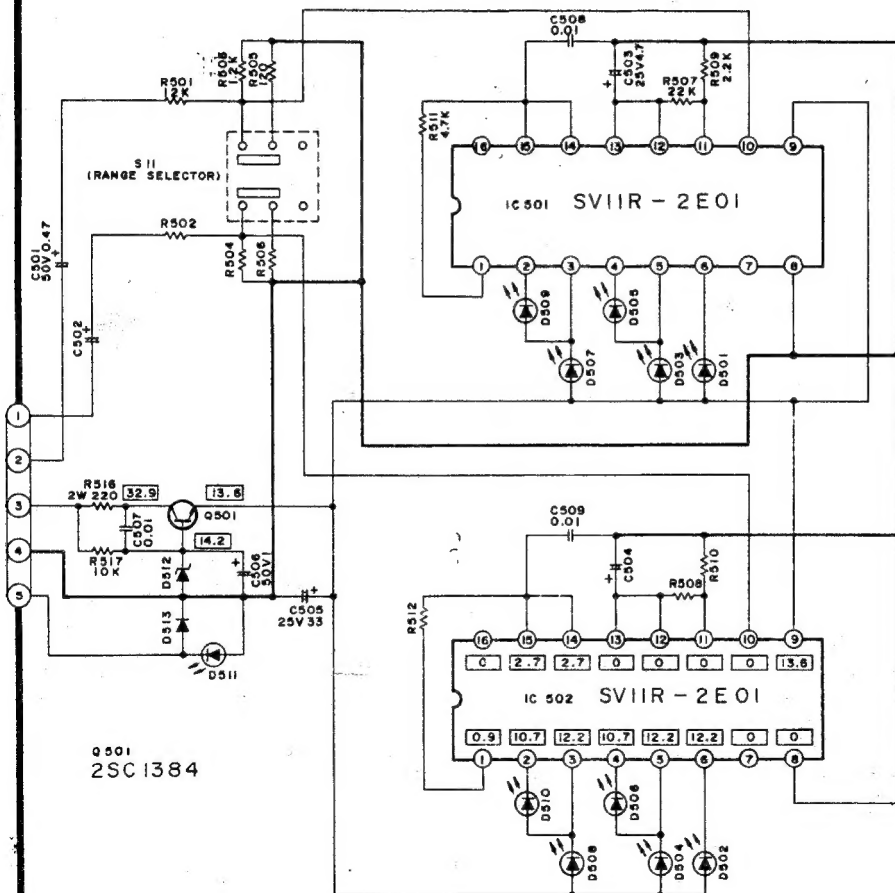
0.6

-35.7

0.6



SUP 21610



Q 501
2SC1384

D 501 ~ 510
LN417YP

D 511
LN217RP

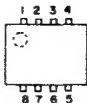
D 512
MA1150

D 513
MA150

TERMINAL GUIDE



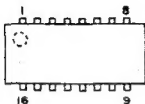
2SA 1015
2SA 1123
2SC 1384
2SC 1815
2SC 2320



SV1NJM4559DS



SV1STK 2028



SV1IR2E01



AN7060

NOTES

1. S₁ Input selector switch in "phono" position. (phono \longleftrightarrow tuner \longleftrightarrow aux)
2. S₂ Tape monitor switch in "source" position. (source \longleftrightarrow tape)
3. S₃ Tape selector switch in "tape 1" position. (tape 1 \longleftrightarrow tape 2)
4. S₄ Rec mode switch in "source" position. (source \longleftrightarrow dubbing)
5. S₅ Dubbing switch in "tape 1 \blacktriangleright 2" position. (tape 1 \blacktriangleright 2 \longleftrightarrow tape 2 \blacktriangleright 1)
6. S₆ Loudness switch in "off" position.

7. S₉ Main speaker switch in "on" position.
8. S₁₀ Remote speaker switch in "off" position.
9. S₁₁ Range selector switch in "x 1" position. (x 1 \longleftrightarrow x 0.01)
10. S₁₂ Voltage adjustment switch in "240V" position.
240V \longleftrightarrow 220V \longleftrightarrow 110V \longleftrightarrow 120V

11. S₁₃ Power switch in "off" position.

12. All the resistors otherwise noticed are 1/4W \pm 5% or 1/8W \pm 5% carbon film resistors.

13. \triangle Indicates that only parts specified by the manufacturer be used for safety.

\square Indicates voltage values are the standard values for the DC electron tester with chassis taken as standard.