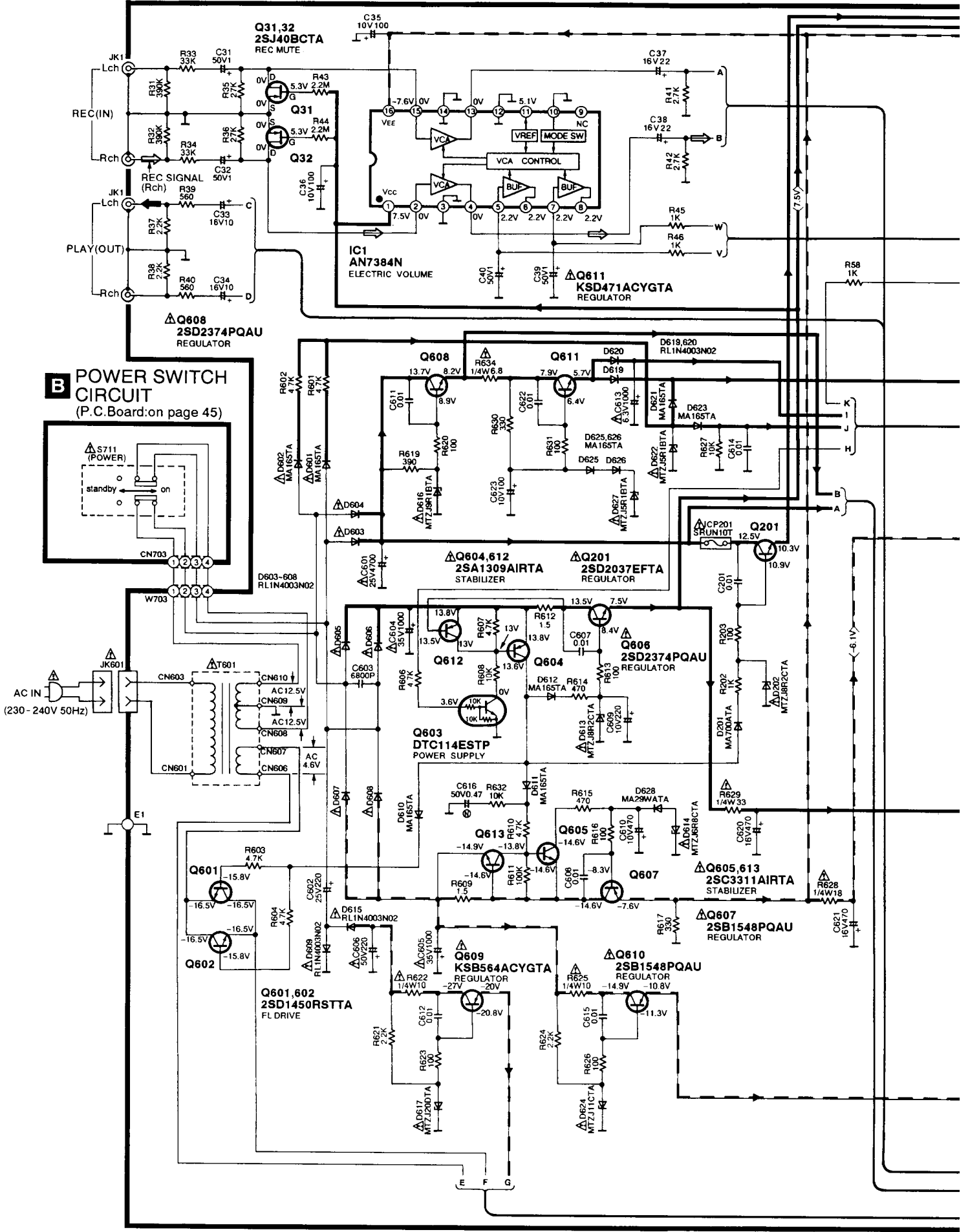
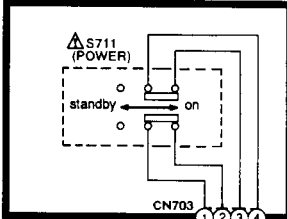
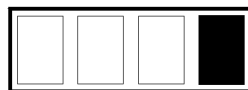
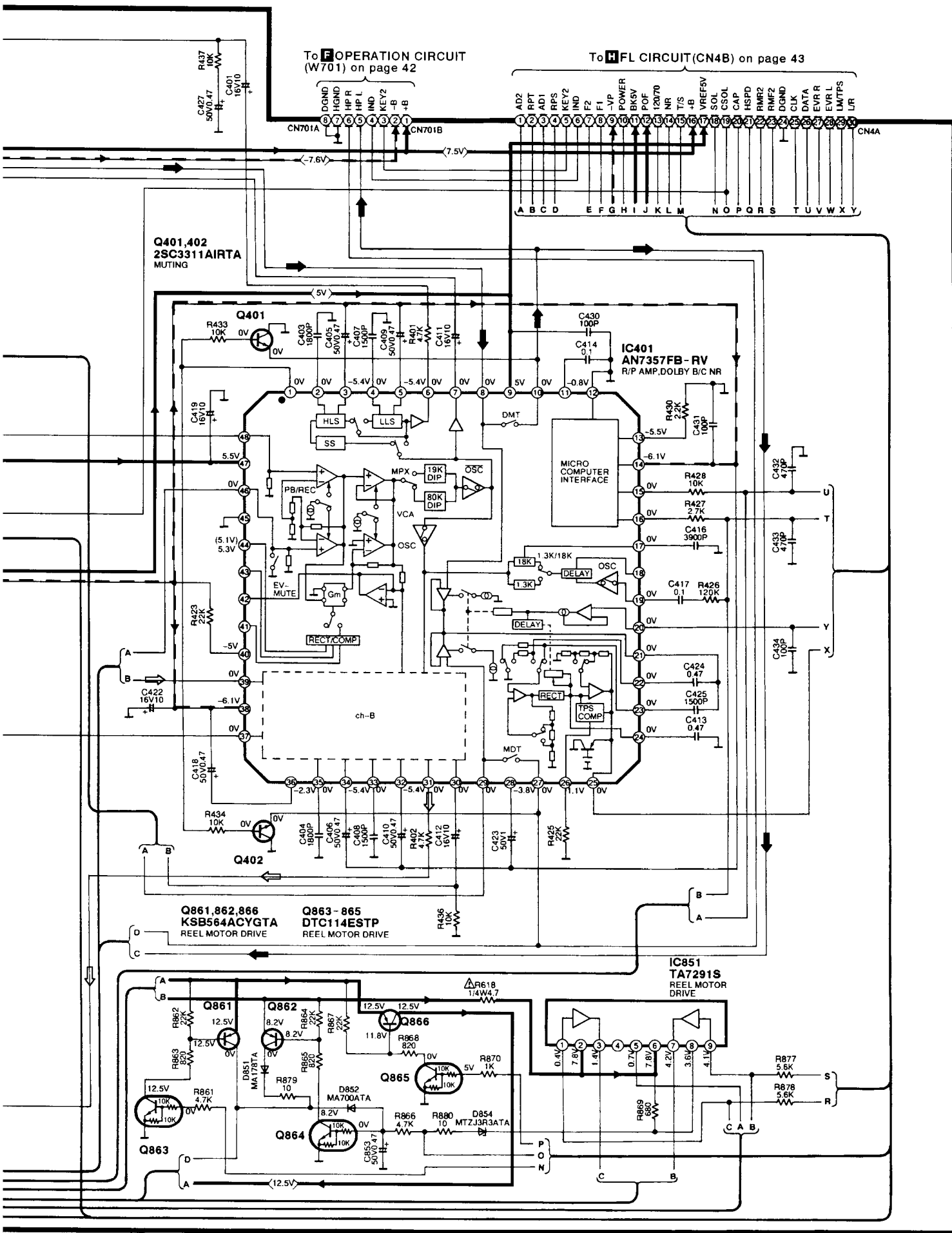


A MAIN CIRCUIT (P.C.Board: on page 46)

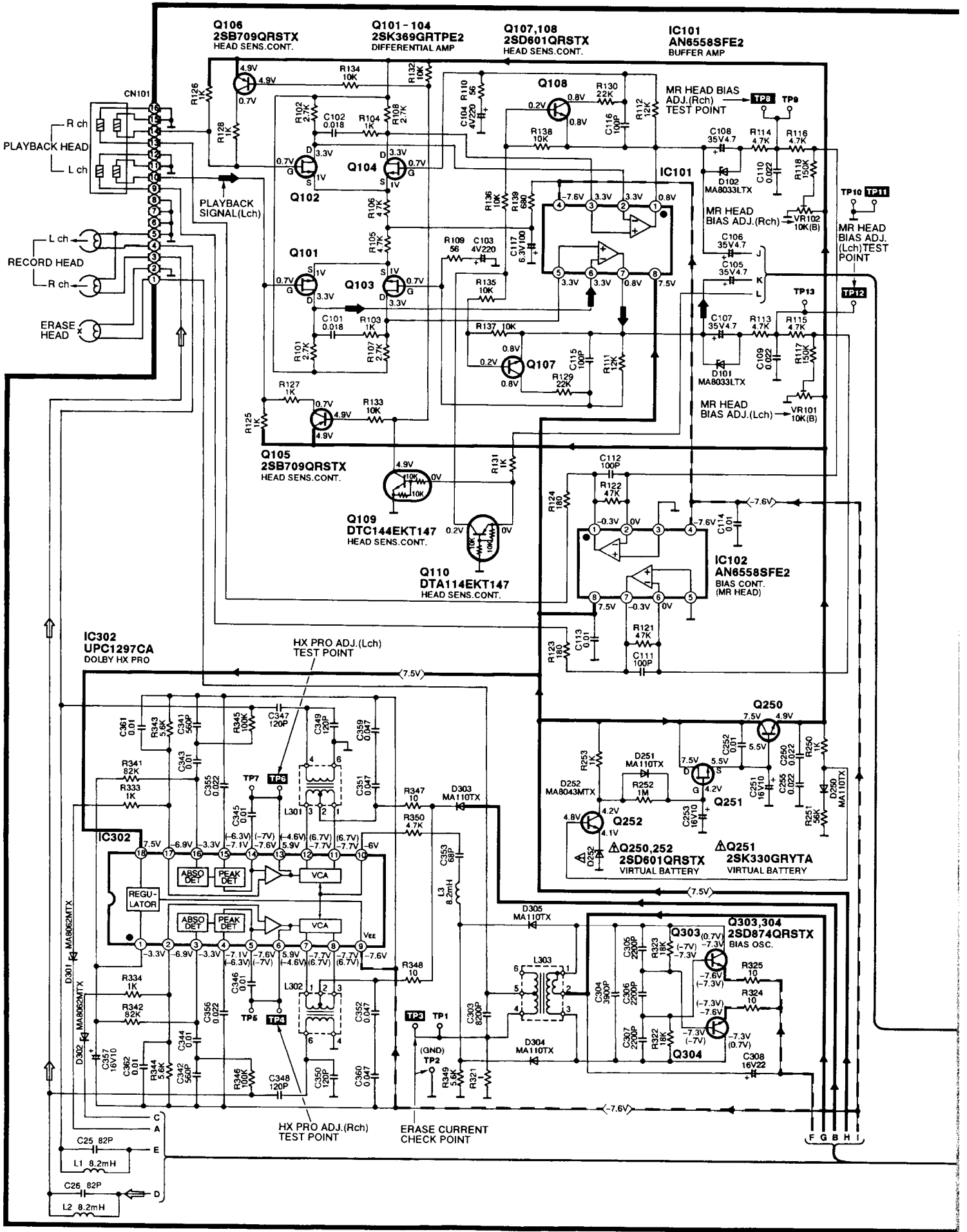


B POWER SWITCH CIRCUIT (P.C.Board: on page 45)



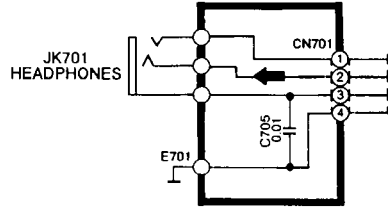


C MOTOR CIRCUIT (P.C.Board: on page 44)

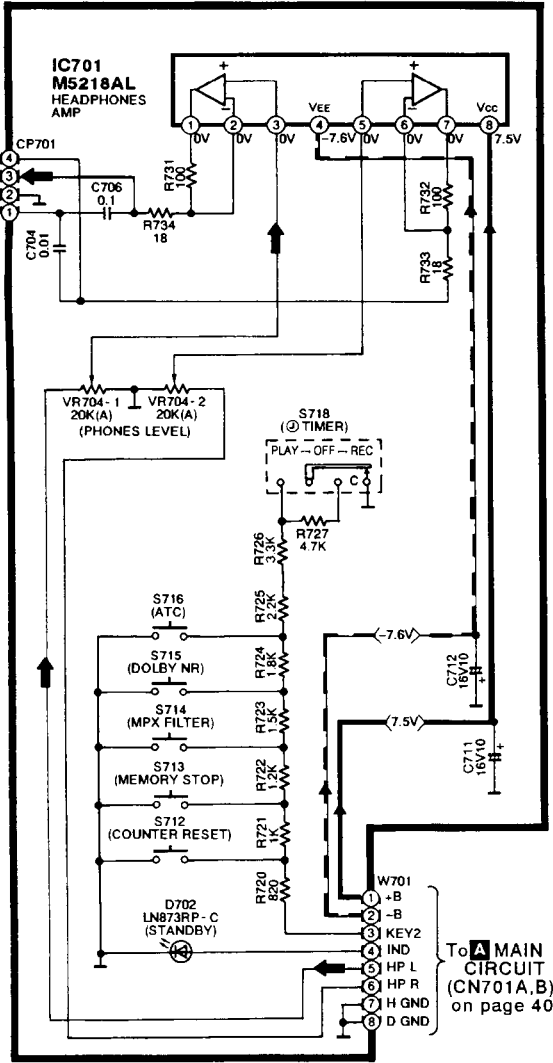
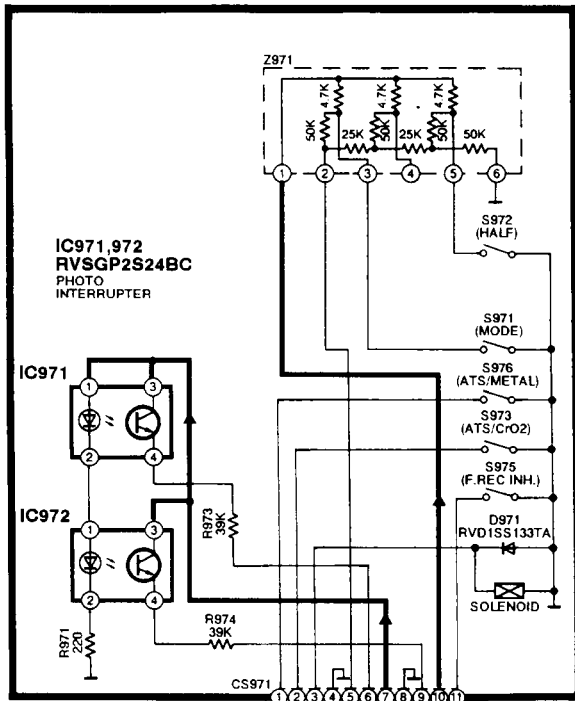


F OPERATION CIRCUIT (P.C.Board: on page 45)

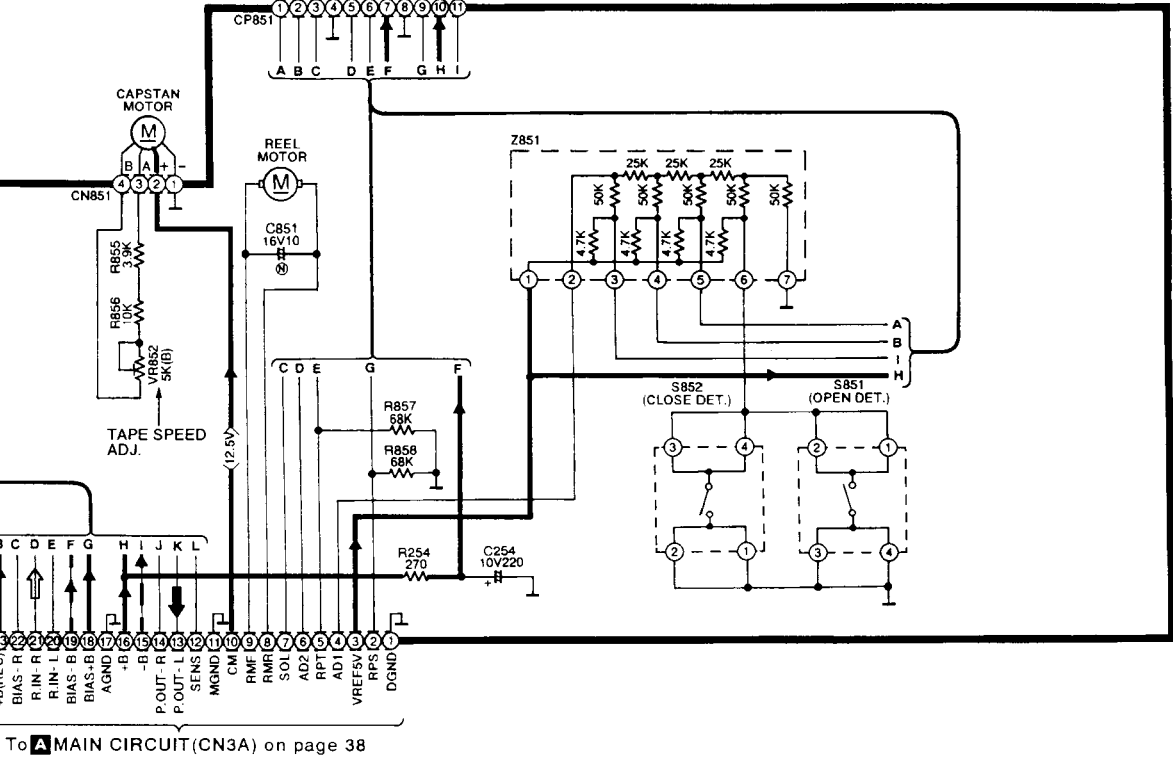
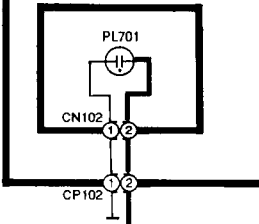
E HEADPHONES JACK CIRCUIT (P.C.Board: on page 45)



D MECHANISM CIRCUIT (P.C.Board: on page 44)



G LAMP CIRCUIT (P.C.Board: on page 45)



To **A** MAIN CIRCUIT (CN3A) on page 38



H FL CIRCUIT (P.C.Board: on page 45)

