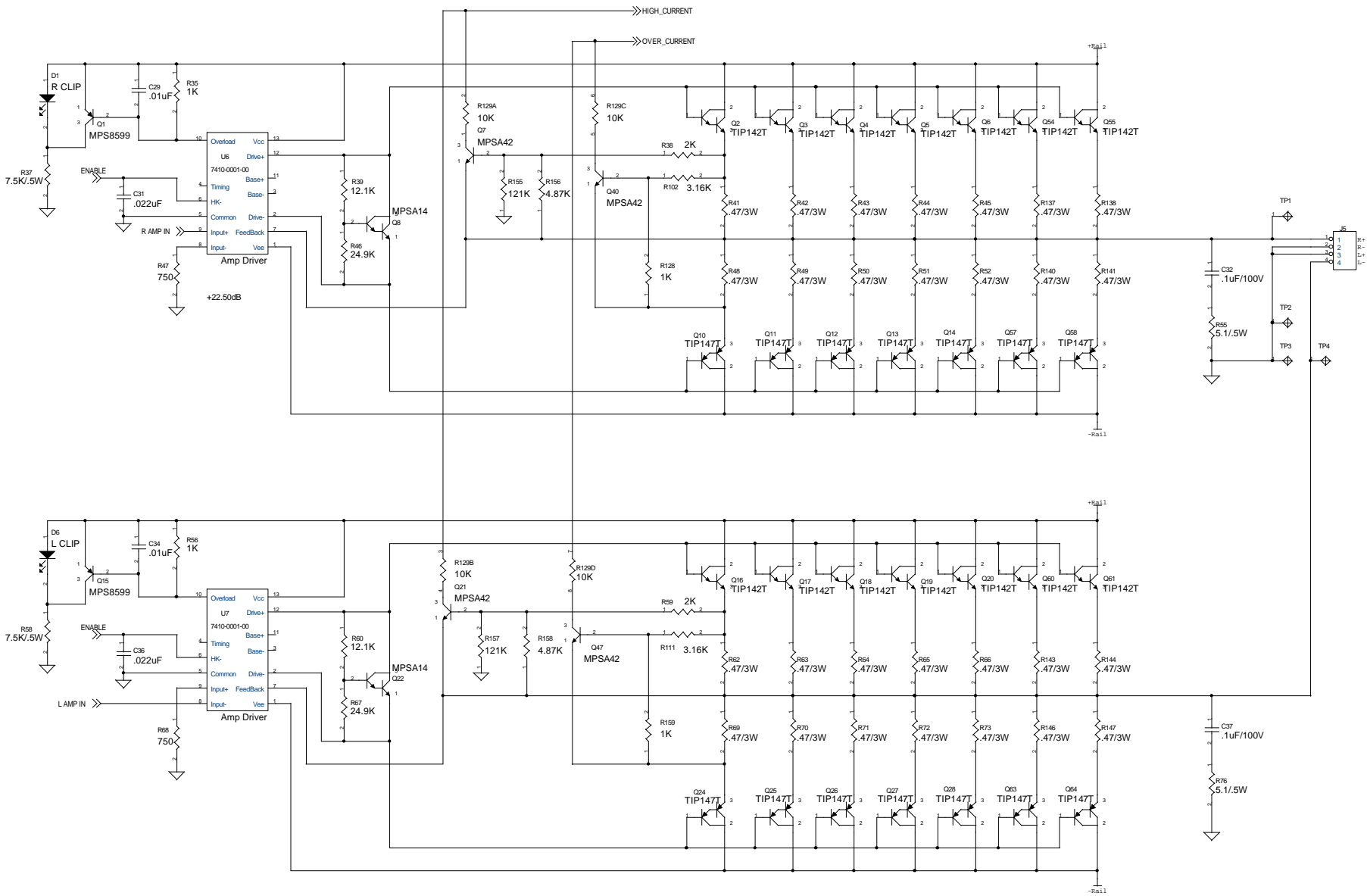


Potentiometer Tapers:  
 A - Linear  
 B - Log; reverse inserted on PCB for CW Anti-Log  
 C - Anti-Log; reverse inserted on PCB for CW Log

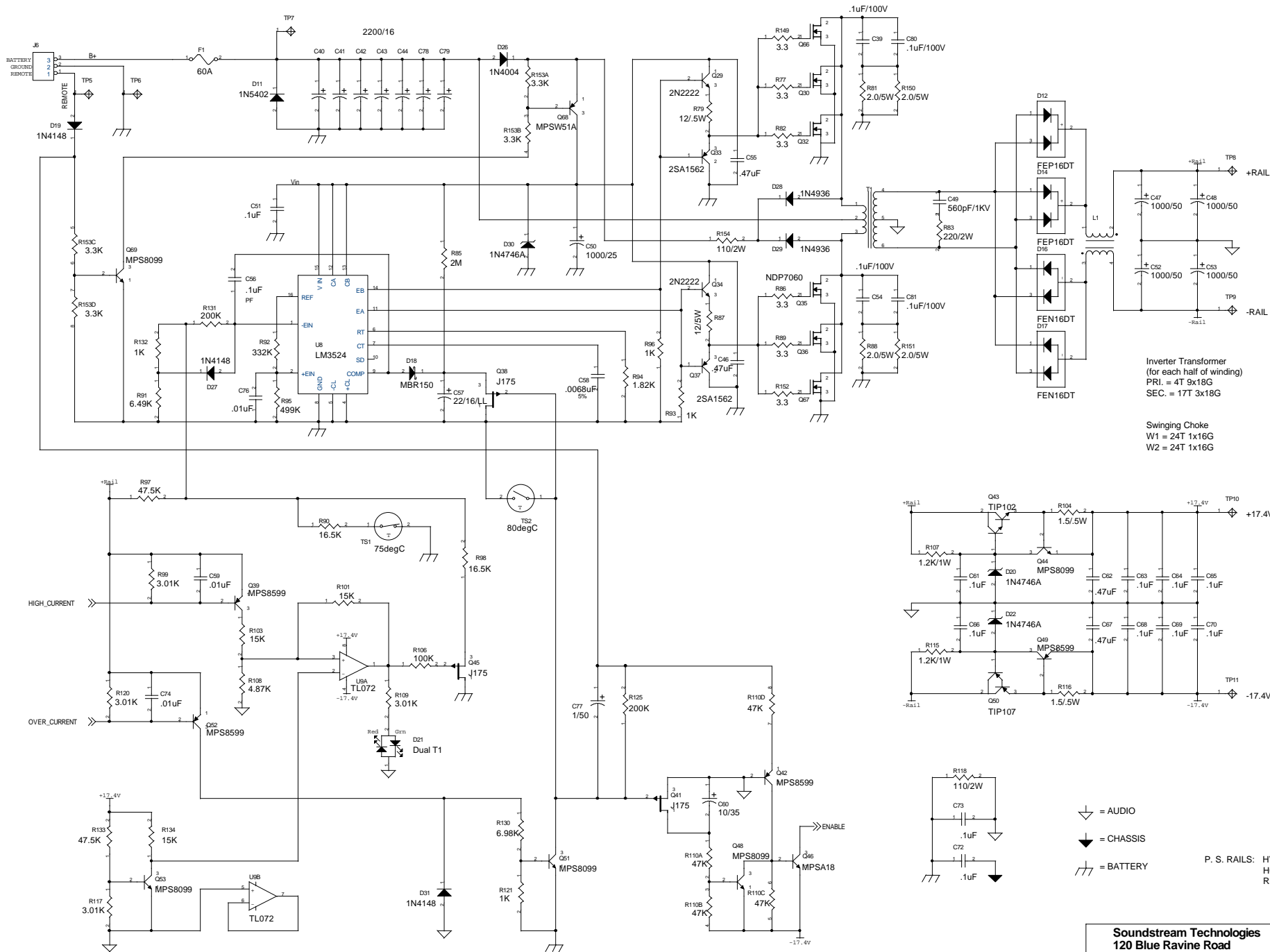
<b>Soundstream Technologies</b> 120 Blue Ravine Road Folsom, CA 95630		
Title: Rubicon702 Preamp		
Size: Custom	Document Number: 7400-0002-04	Rev:
Date: Tuesday, April 28, 1998	Sheet: 1 of 3	



U U U

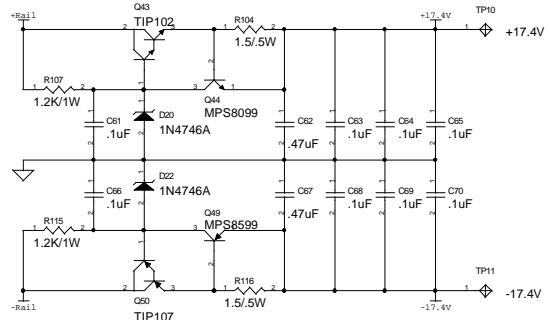
**Soundstream Technologies**  
 120 Blue Ravine Road  
 Folsom, CA 95630

Title	Rubicon702 Power Amps	
Size	Document Number	Raw
Custom	7400-0002-04	
Date	Tuesday, April 28, 1998	Sheet 2 of 3



Inverter Transformer  
 (for each half of winding)  
 PRI. = 4T 9x18G  
 SEC. = 17T 3x18G

Swinging Choke  
 W1 = 24T 1x16G  
 W2 = 24T 1x16G



- ⚡ = AUDIO
- ⏚ = CHASSIS
- 🔋 = BATTERY

P. S. RAILS: HV: +/- 39.5V  
 HC: +/- 31V  
 RB: +/- 23.5V

<b>Soundstream Technologies</b> 120 Blue Ravine Road Folsom, CA 95630		
Title: Rubicon702 Power Supply		
Size:	Document Number:	Rev:
Custom:	7400-0002-04	
Date:	Tuesday, September 22, 1998	Sheet 3 of 3