

AM/FM STEREO RECEIVER  
**SX-1250**

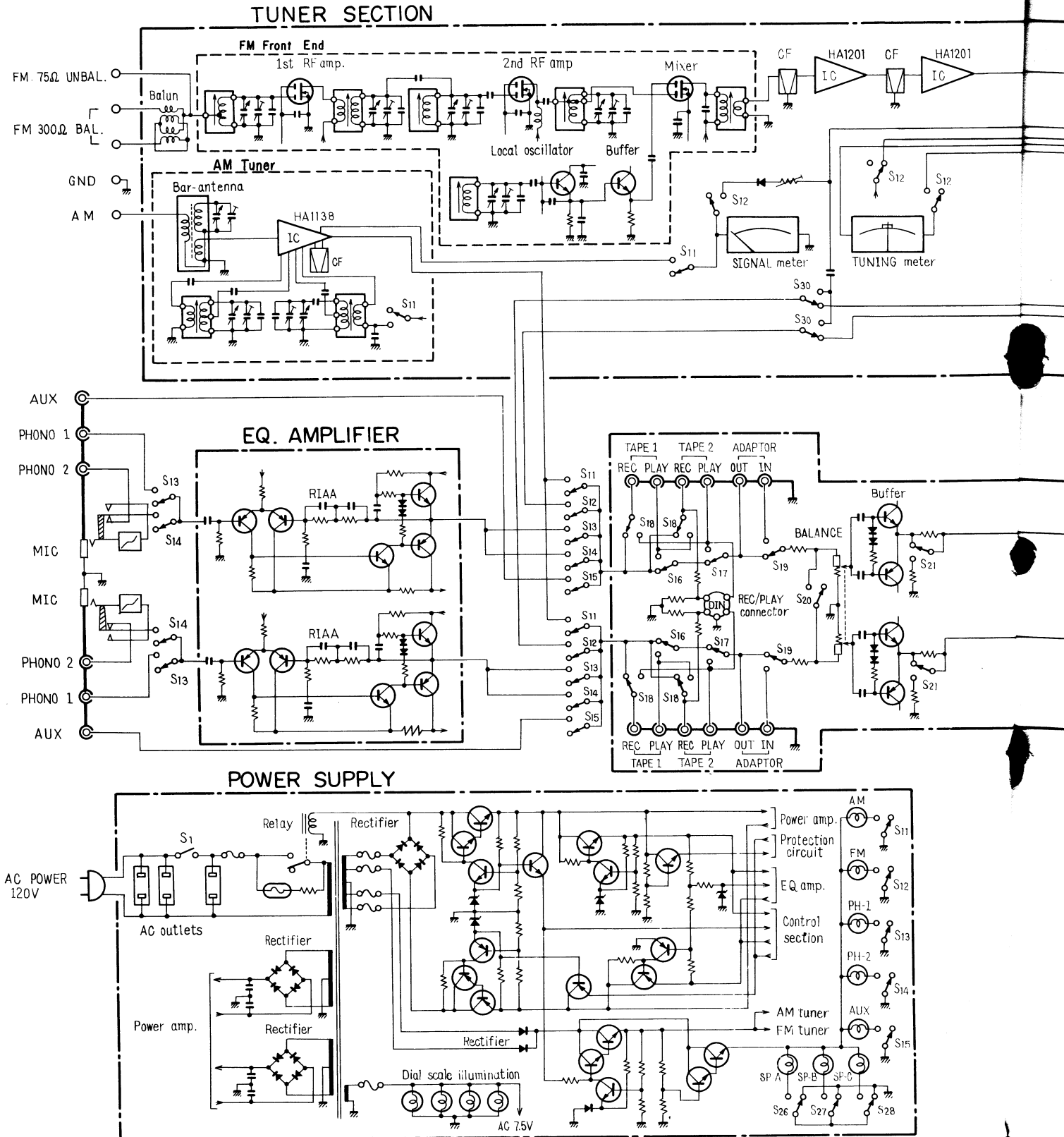
<ART-158-0>

*Service Manual*



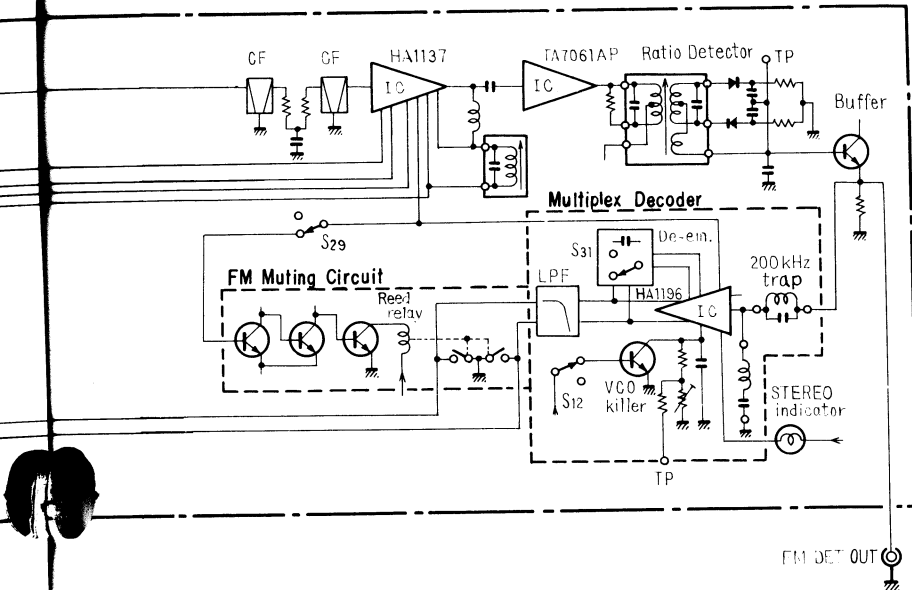
 **PIONEER®**

# 6. BLOCK DIAGRAM

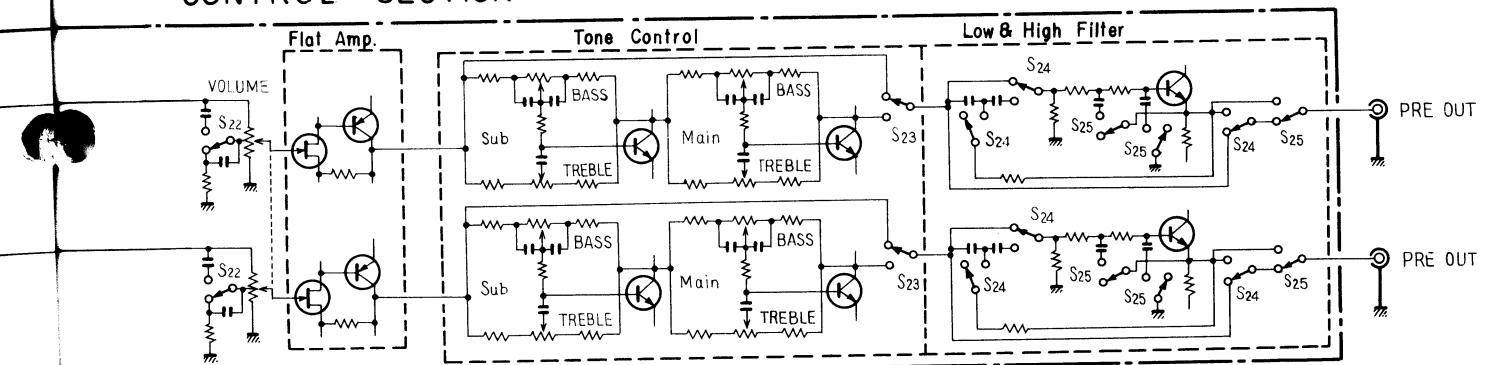


SWITCHES :

- |                      |                      |
|----------------------|----------------------|
| S1 : POWER           | ( SPEAKERS )         |
| ( FUNCTION )         | S26 : SPEAKERS A     |
| S11 : AM             | S27 : SPEAKERS B     |
| S12 : FM             | S28 : SPEAKERS C     |
| S13 : PHONO 1        | S29 : FM MUTING      |
| S14 : PHONO 2 / MIC  | S30 : FM MULTIPATH   |
| S15 : AUX            | S31 : FM DE-EMPHASIS |
| S16 : TAPE MONITOR 1 |                      |
| S17 : TAPE MONITOR 2 |                      |
| S18 : TAPE DUPLICATE |                      |
| S19 : ADAPTOR        |                      |
| S20 : MODE           |                      |
| S21 : MUTING         |                      |
| S22 : LOUDNESS       |                      |
| S23 : TONE           |                      |
| S24 : LOW FILTER     |                      |
| S25 : HIGH FILTER    |                      |

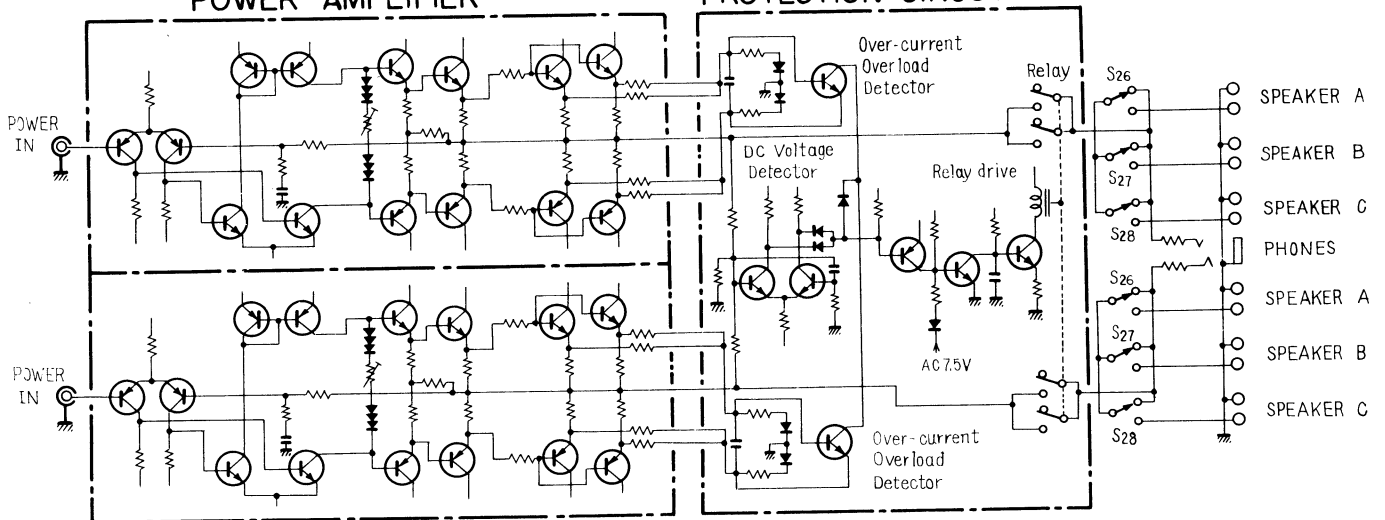


CONTROL SECTION

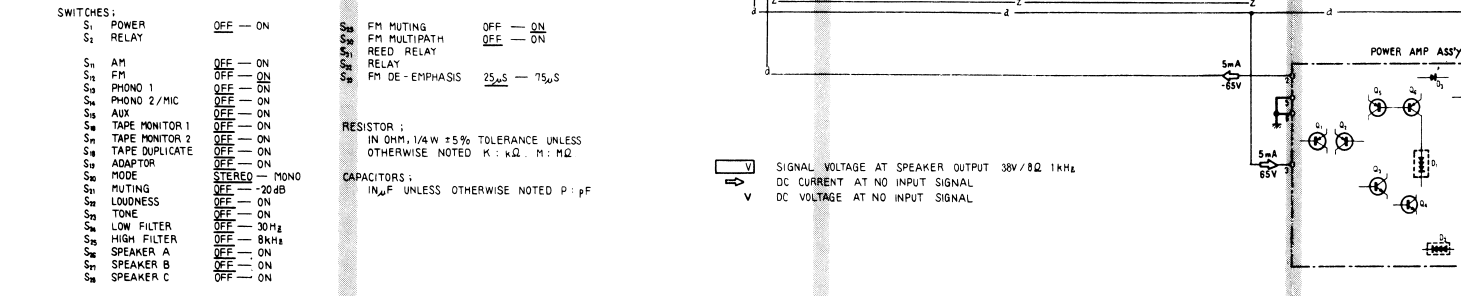
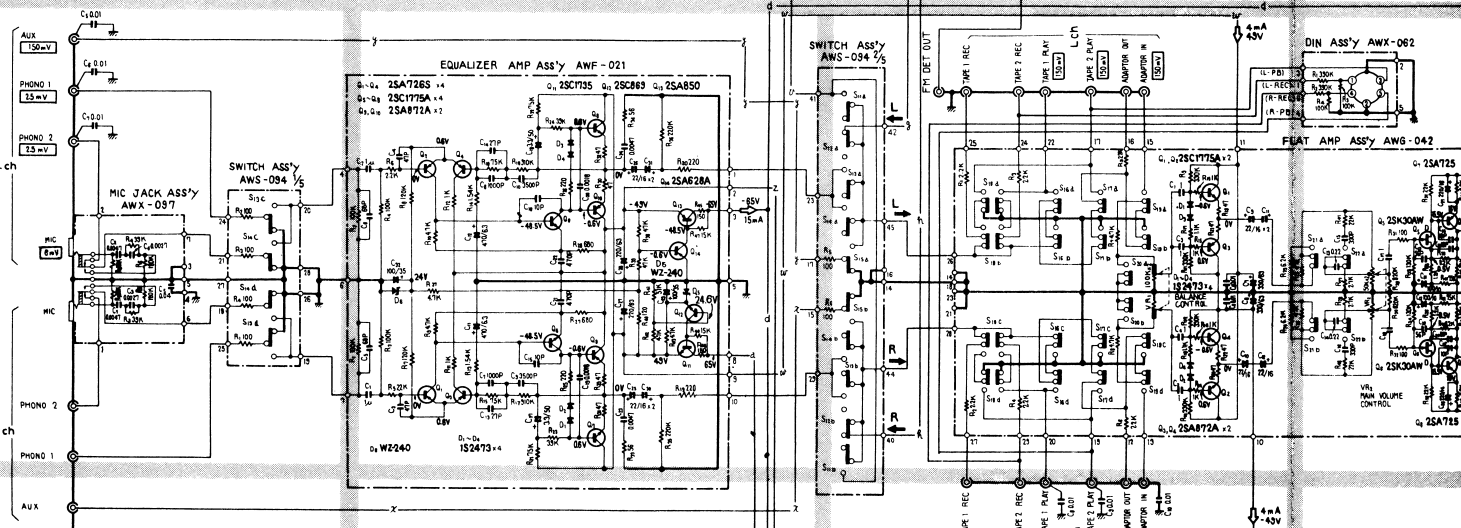
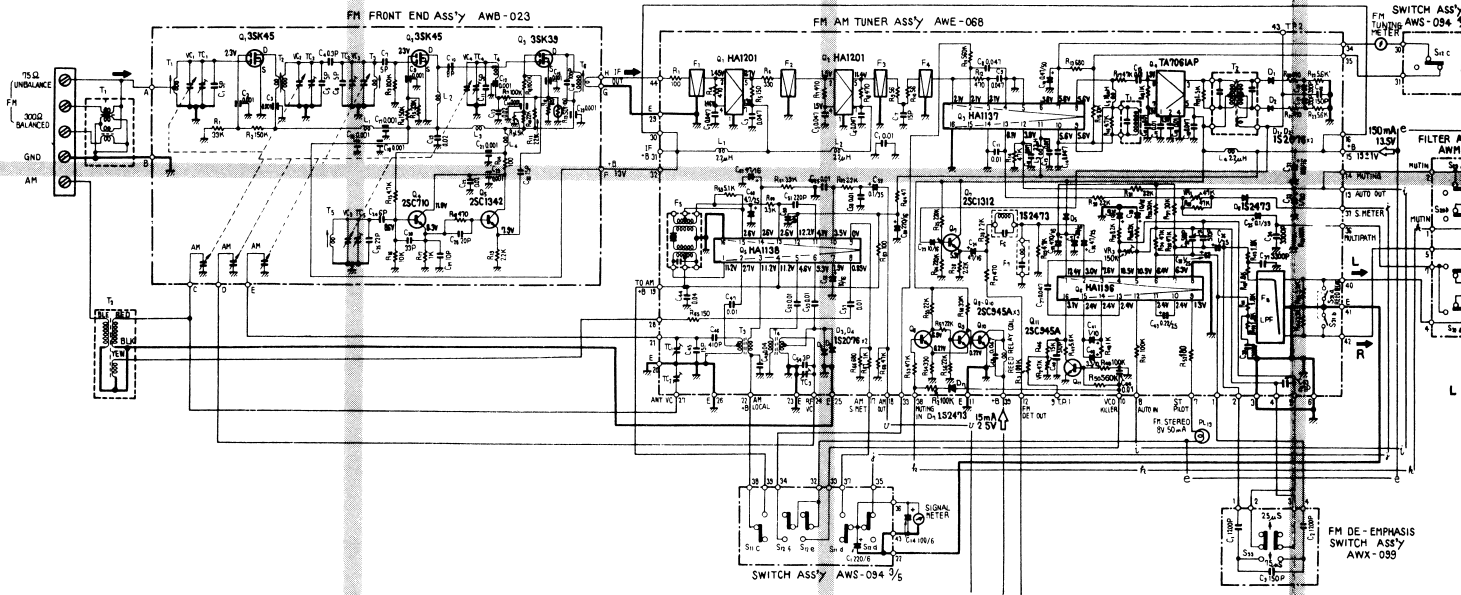


POWER AMPLIFIER

PROTECTION CIRCUIT



# 12.2 SCHEMATIC DIAGRAM



- SWITCHES:**
- |                                |               |
|--------------------------------|---------------|
| S <sub>1</sub> POWER           | OFF — ON      |
| S <sub>2</sub> RELAY           | OFF — ON      |
| S <sub>3</sub> AM              | OFF — ON      |
| S <sub>4</sub> FM              | OFF — ON      |
| S <sub>5</sub> PHONO 1         | OFF — ON      |
| S <sub>6</sub> PHONO 2/MIC     | OFF — ON      |
| S <sub>7</sub> AUX             | OFF — ON      |
| S <sub>8</sub> TAPE MONITOR 1  | OFF — ON      |
| S <sub>9</sub> TAPE MONITOR 2  | OFF — ON      |
| S <sub>10</sub> TAPE DUPLICATE | OFF — ON      |
| S <sub>11</sub> ADAPTOR        | OFF — ON      |
| S <sub>12</sub> MODE           | STEREO — MONO |
| S <sub>13</sub> MUTING         | OFF — 30dB    |
| S <sub>14</sub> LOUDNESS       | OFF — ON      |
| S <sub>15</sub> TONE           | OFF — ON      |
| S <sub>16</sub> LOW FILTER     | OFF — 30Hz    |
| S <sub>17</sub> HIGH FILTER    | OFF — 8kHz    |
| S <sub>18</sub> SPEAKER A      | OFF — ON      |
| S <sub>19</sub> SPEAKER B      | OFF — ON      |
| S <sub>20</sub> SPEAKER C      | OFF — ON      |

**RESISTOR:**  
IN OHM, 1/4W ±5% TOLERANCE UNLESS OTHERWISE NOTED K: kΩ M: MΩ

**CAPACITORS:**  
IN μF UNLESS OTHERWISE NOTED P: pF

→ V SIGNAL VOLTAGE AT SPEAKER OUTPUT 38V/82 1kHz  
 V DC CURRENT AT NO INPUT SIGNAL  
 V DC VOLTAGE AT NO INPUT SIGNAL

A

B

C

D

1

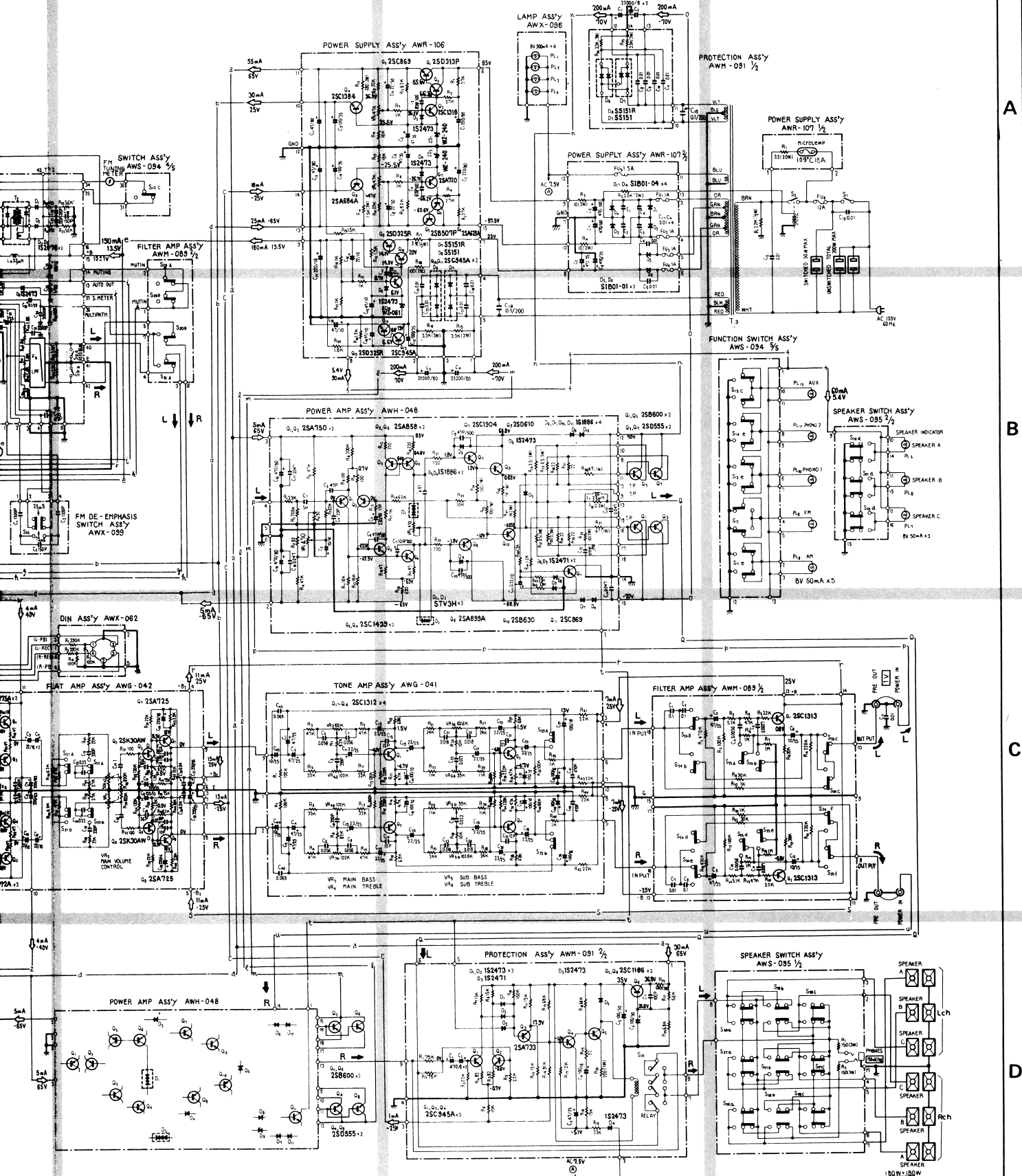
2

3

4

5

6



A

B

C

D

4

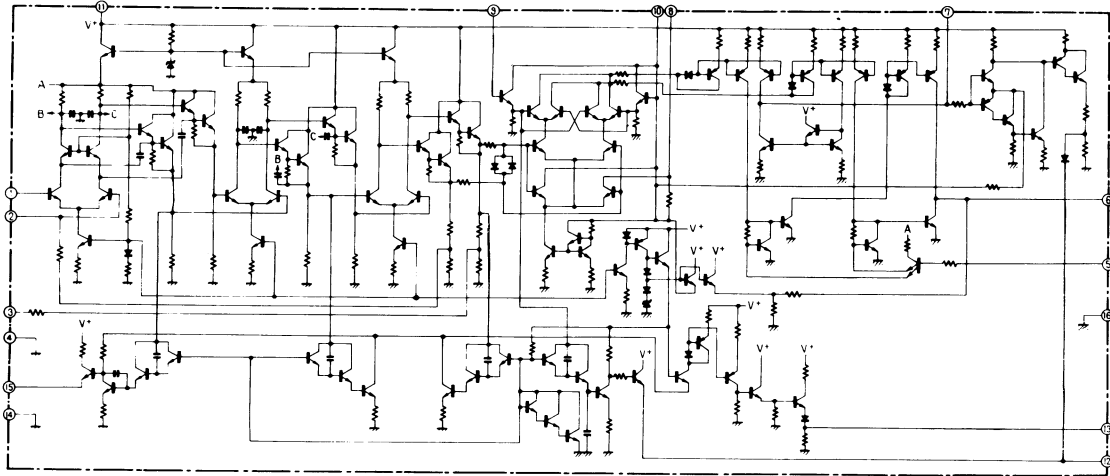
5

6

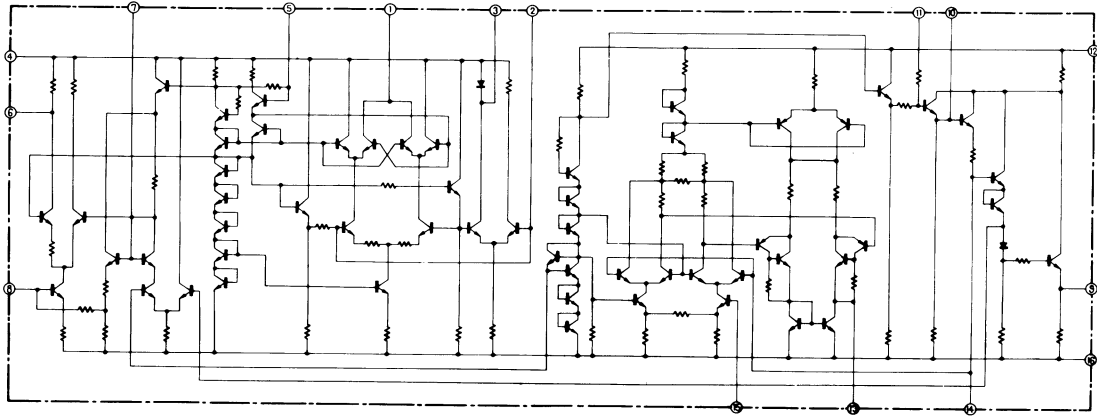
100W 100W  
30V 200  
1KHz

## 12.3 INTERNAL CIRCUITRY OF INTEGRATED CIRCUITS

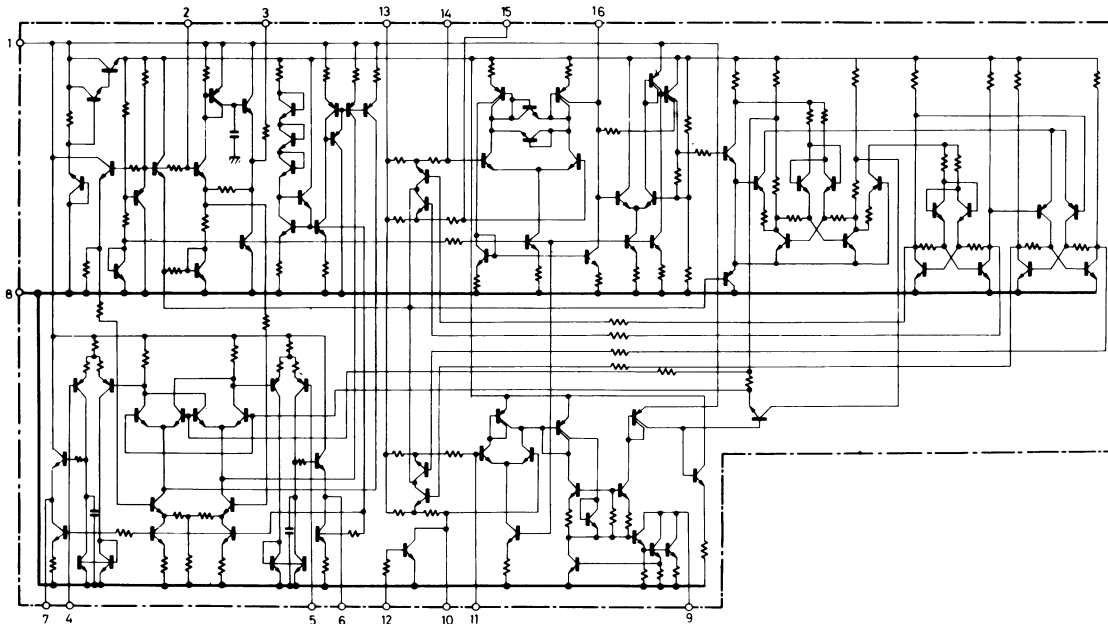
### HA1137 (FM IF IC)



### HA1138 (AM IC)

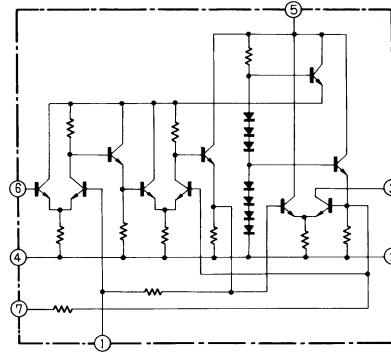
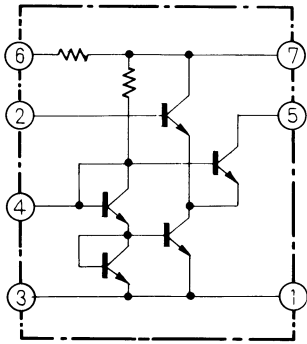


### HA1196



HA1201

TA 7061AP



12.4 THE CIRCUIT OF FM FRONT END (AWB-023)

