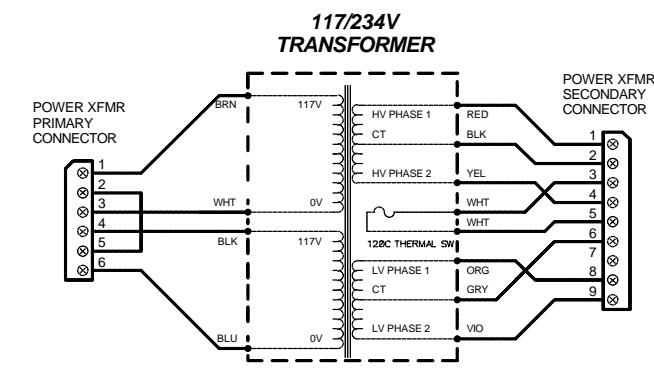
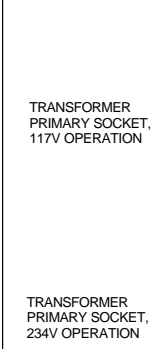
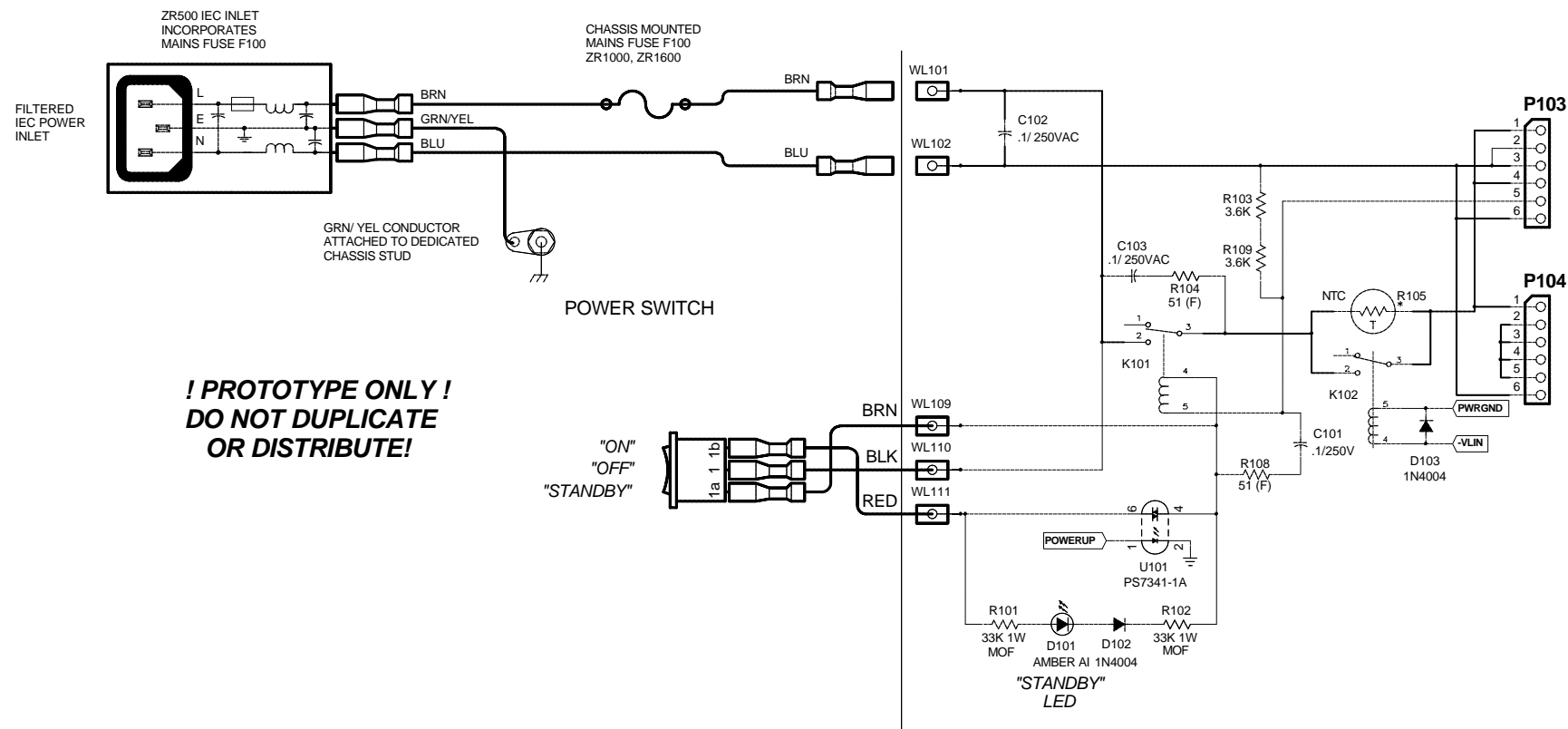


REVISIONS			
REV	DESCRIPTION	DATE	APPD
1	Pre-Production	020613	

F100 Value

Model	100V	117V	234V
ZR500	6A	6A	4A
ZR1000	12.5A	12.5A	6A
ZR1600	??A	??A	10A



**! PROTOTYPE ONLY !
DO NOT DUPLICATE
OR DISTRIBUTE!**

**! PROTOTYPE ONLY !
DO NOT DUPLICATE
OR DISTRIBUTE!**

NOTES

Unless otherwise noted:

- Resistors are 1/10W, in Ohms;
Capacitors in uF;
Diodes are BAS16.

2. Reference Documents

BOM	9000.0481.01, -.02, -.03
AI BOM	9001.0481.01, -.02, -.03
SM BOM	9002.0481.01, -.02, -.03
ASSY DWG	8005.0481
PCB	6000.0481

Grounding Symbol Key

- ⏏ Chassis Gnd
- ⏏ Input Gnd
- ⏏ Power Gnd

PROPRIETARY NOTICE
THE INFORMATION CONTAINED IN THIS DOCUMENT IS
PROPRIETARY TO PHOENIX GOLD / CARVER PROFESSIONAL
AND SHALL NOT BE REPRODUCED OR DISCLOSED IN WHOLE OR
IN PART WITHOUT PRIOR AUTHORIZATION FROM PHOENIX GOLD
CARVER PROFESSIONAL

CARVER
PROFESSIONAL

**SCHEMATIC: POWER SUPPLY
ZR SERIES**

APPD	DATE	APPD	DATE	FILE	DWG No.	REV
ENGR		CHK		zmaster.sch	8000.0481	1
				DRAWN: BH	TIME: 11:37:00	SHEET 1 OF 5

REVISIONS			
REV	DESCRIPTION	DATE	APPD
1	Pre-Production	020613	

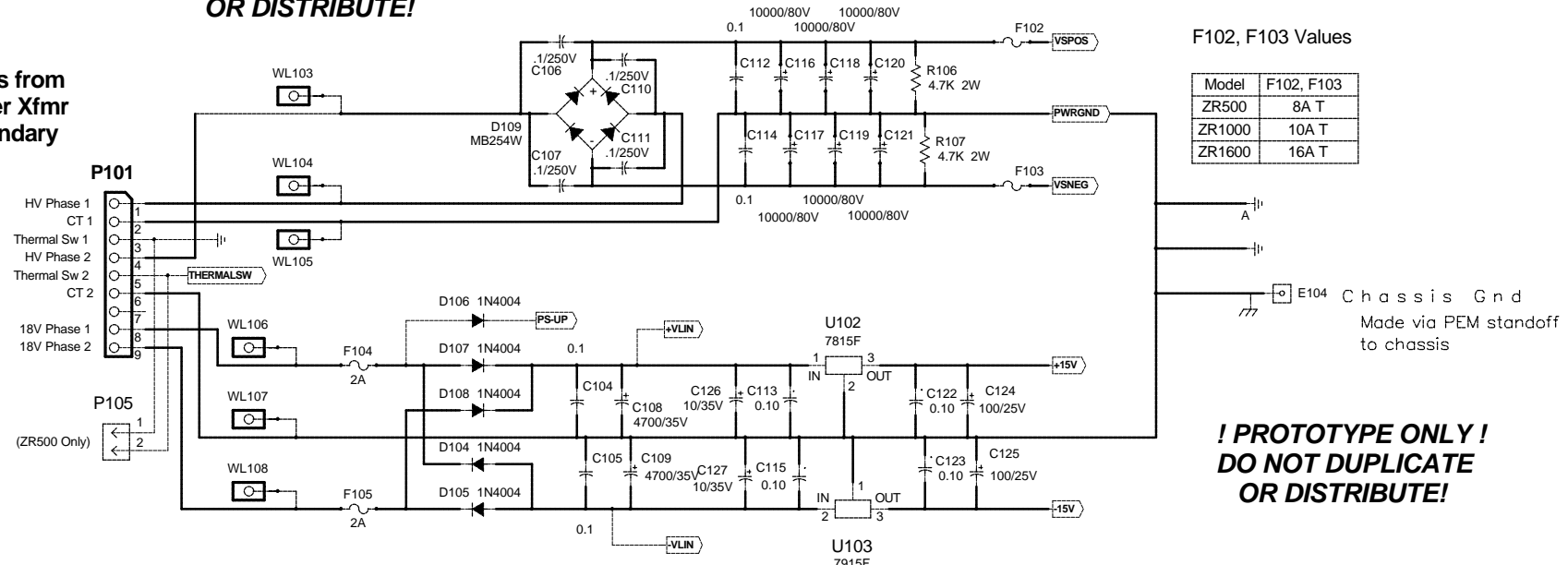
**! PROTOTYPE ONLY !
DO NOT DUPLICATE
OR DISTRIBUTE!**

CAP VALUES, C116-C121:
ZR500 4700uF/80V 205-00194-00
ZR1000 10000uF/80V 2905.0109
ZR1600 10000uF/100V 2906.0109

F102, F103 Values

Model	F102, F103
ZR500	8A T
ZR1000	10A T
ZR1600	16A T

Leads from
Power Xfmr
Secondary



**! PROTOTYPE ONLY !
DO NOT DUPLICATE
OR DISTRIBUTE!**

- NOTES**
Unless otherwise noted:
- Resistors are 1/10W, in Ohms;
Capacitors in uF;
Diodes are BAS16.
 - Reference Documents
BOM 9000.0481.01, -.02, -.03
AI BOM 9001.0481.01, -.02, -.03
SM BOM 9002.0481.01, -.02, -.03
ASSY DWG 8005.0481
PCB 6000.0481

Grounding Symbol Key
 ⚡ Cage Chassis Gnd
 ⚡ Chassis Gnd
 ⚡ Input Gnd
 ⚡ Power Gnd

PROPRIETARY NOTICE
THE INFORMATION CONTAINED IN THIS DOCUMENT IS
PROPRIETARY TO PHOENIX GOLD / CARVER PROFESSIONAL
AND SHALL NOT BE REPRODUCED OR DISCLOSED IN WHOLE OR
IN PART WITHOUT PRIOR AUTHORIZATION FROM PHOENIX GOLD
CARVER PROFESSIONAL

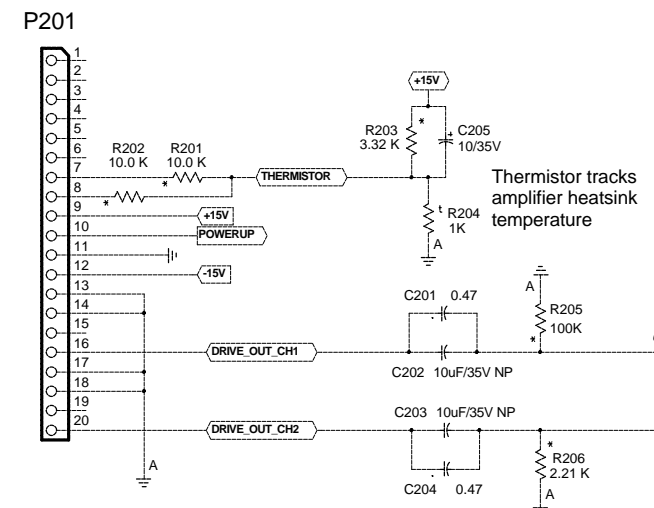
CARVER PROFESSIONAL		SCHEMATIC: POWER SUPPLY ZR SERIES	
		SIZE B	DATE; Fri Oct 04, 2002
APPD ENGR	DATE	APPD CHK	DATE
FILE; zrmaster.sch		DWG No. 8000.0481	REV 1
DRAWN: BH		TIME: 11:37:53	SHEET 2 OF 5

REVISIONS			
REV	DESCRIPTION	DATE	APPD
1	Pre-Production	020613	

**! PROTOTYPE ONLY !
DO NOT DUPLICATE
OR DISTRIBUTE!**

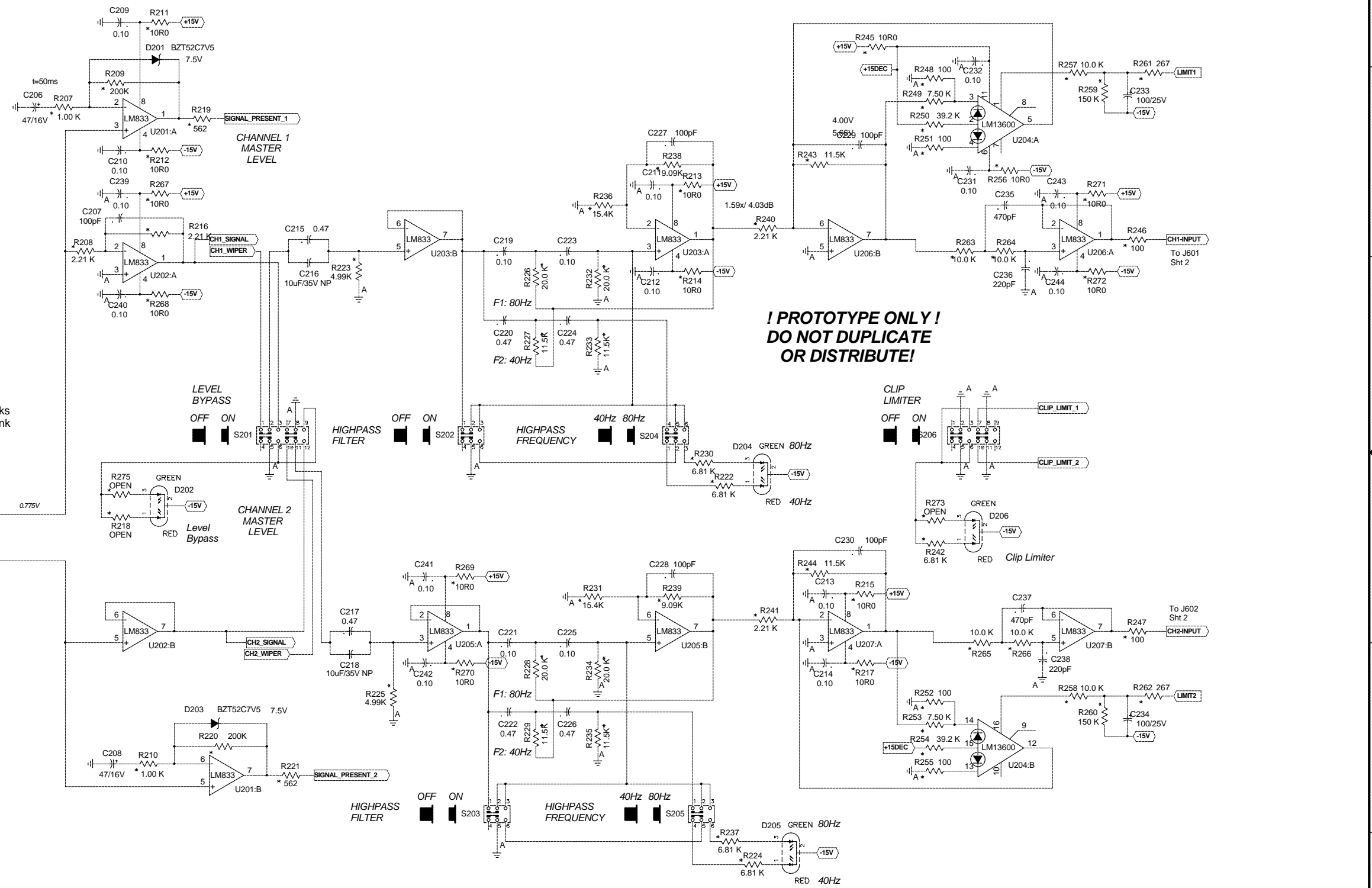
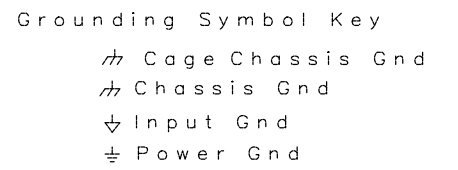
**! PROTOTYPE ONLY !
DO NOT DUPLICATE
OR DISTRIBUTE!**

Cable to
Input Module



NOTES

- Unless otherwise noted:
- Resistors are 1/10W, in Ohms;
Capacitors in uF;
Diodes are BAS16.
 - Reference Documents
BOM 9000.0481.01, -.02, -.03
AI BOM 9001.0481.01, -.02, -.03
SM BOM 9002.0481.01, -.02, -.03
ASSY DWG 8005.0481
PCB 6000.0481



PROPRIETARY NOTICE
THE INFORMATION CONTAINED IN THIS DOCUMENT IS
PROPRIETARY TO PHOENIX GOLD / CARVER PROFESSIONAL
AND SHALL NOT BE REPRODUCED OR DISCLOSED IN WHOLE OR
IN PART WITHOUT PRIOR AUTHORIZATION FROM PHOENIX GOLD
CARVER PROFESSIONAL



SCHEMATIC: SIGNAL PROCESSING ZR SERIES			
SIZE B	DATE; Fri Oct 04, 2002	DWG No. 8000.0481	REV 1
APPD ENGR	DATE	APPD CHK	DATE
FILE: zrmaster.sch		DRAWN: BH	
TIME: 11:37:54		SHEET 3 OF 5	

REVISIONS			
REV	DESCRIPTION	DATE	APPD
1	Pre-Production	020613	

1

2

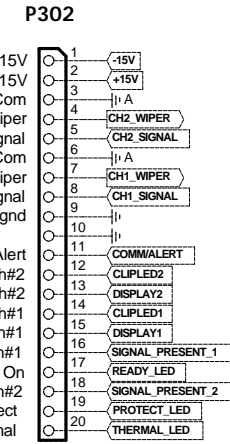
3

4

5

6

Cable from Display Assy

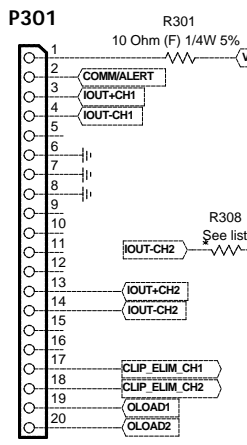


R308, R309, R368, R369 Values:

Model	R308	R309	R368	R369
ZR500	5.49k	5.49k	0 Ohm	0 Ohm
ZR1000	4.75k	4.75k	4.75k	4.75k
ZR1600	6.49k	6.49k	6.49k	6.49k

R312, R313 Values:

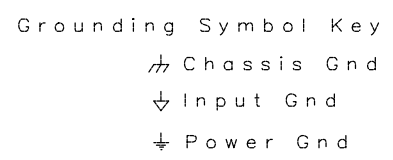
Model	R312	R313
ZR500	56.2k	56.2k
ZR1000	95.3k	95.3k
ZR1600	130k	130k



Digital Interface Cable Header

**! PROTOTYPE ONLY !
DO NOT DUPLICATE
OR DISTRIBUTE!**

**! PROTOTYPE ONLY !
DO NOT DUPLICATE
OR DISTRIBUTE!**



PROPRIETARY NOTICE
THE INFORMATION CONTAINED IN THIS DOCUMENT IS PROPRIETARY TO PHOENIX GOLD / CARVER PROFESSIONAL AND SHALL NOT BE REPRODUCED OR DISCLOSED IN WHOLE OR IN PART WITHOUT PRIOR AUTHORIZATION FROM PHOENIX GOLD CARVER PROFESSIONAL

CARVER
PROFESSIONAL

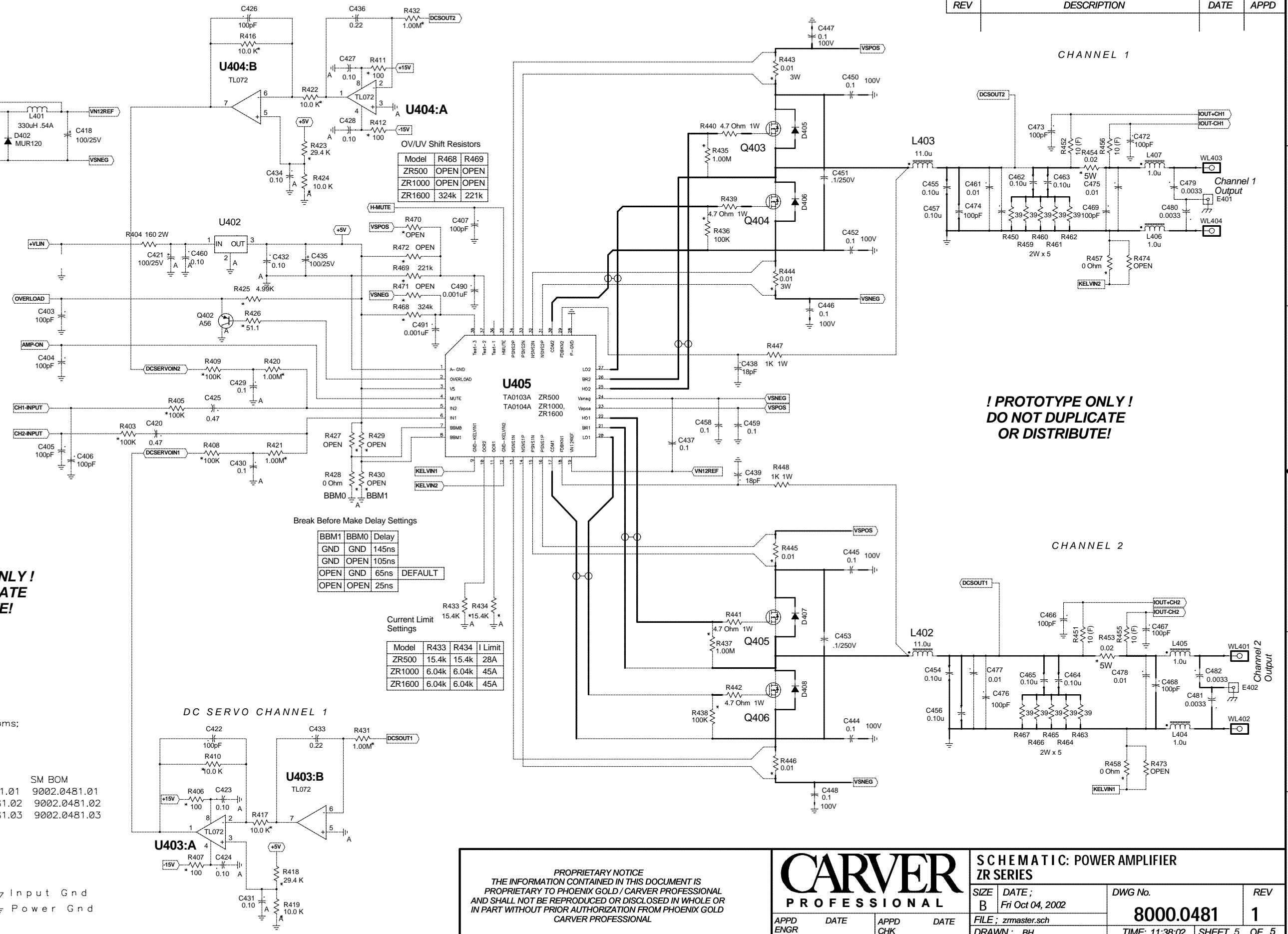
SCHEMATIC: CONTROL ZR SERIES			
SIZE B	DATE; Fri Oct 04, 2002	DWG No. 8000.0481	REV 1
APPD ENGR	DATE	APPD CHK	DATE
FILE: zrmaster.sch		DRAWN: BH	
TIME: 11:37:58		SHEET 4 OF 5	

REVISIONS			
REV	DESCRIPTION	DATE	APPD

DC SERVO CHANNEL 2

CHANNEL 1

CHANNEL 2



**! PROTOTYPE ONLY !
DO NOT DUPLICATE
OR DISTRIBUTE!**

**! PROTOTYPE ONLY !
DO NOT DUPLICATE
OR DISTRIBUTE!**

Notes: Unless otherwise noted
1. Resistors are 1/10W 1% Metal Film, in Ohms;
Capacitors in uF;
Diodes are BAS16.

2. Documents:

MODEL	BOM	AI BOM	SM BOM
ZR500	9000.0481.01	9001.0481.01	9002.0481.01
ZR1000	9000.0481.02	9001.0481.02	9002.0481.02
ZR1600	9000.0481.03	9001.0481.03	9002.0481.03
ASSY DWG	8005.0481		
PCB	6000.0481A		

Grounding Symbol Key
 Cage Chassis Gnd Input Gnd
 Chassis Gnd Power Gnd

Break Before Make Delay Settings

BBM1	BBM0	Delay	
GND	GND	145ns	
GND	OPEN	105ns	
OPEN	GND	65ns	DEFAULT
OPEN	OPEN	25ns	

Current Limit Settings

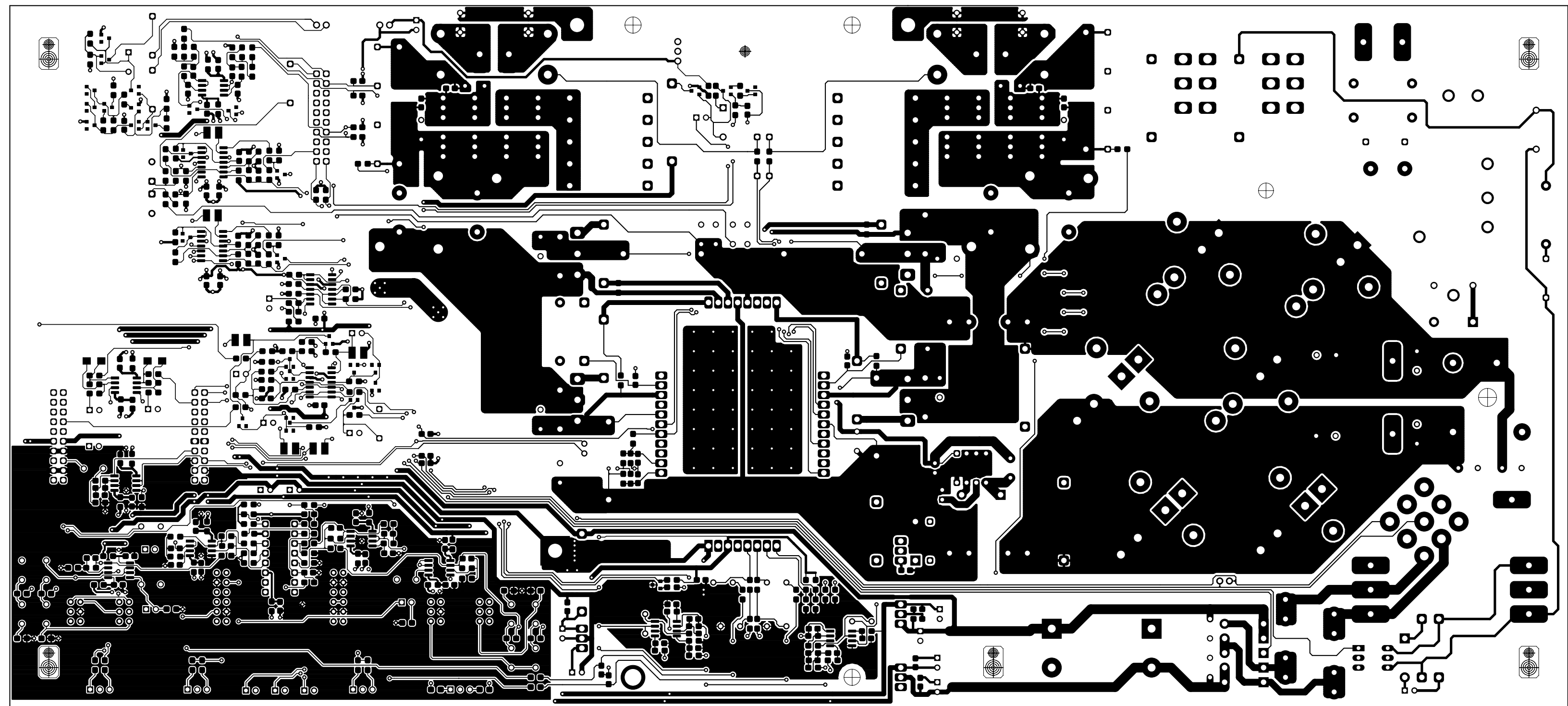
Model	R433	R434	I Limit
ZR500	15.4k	15.4k	28A
ZR1000	6.04k	6.04k	45A
ZR1600	6.04k	6.04k	45A

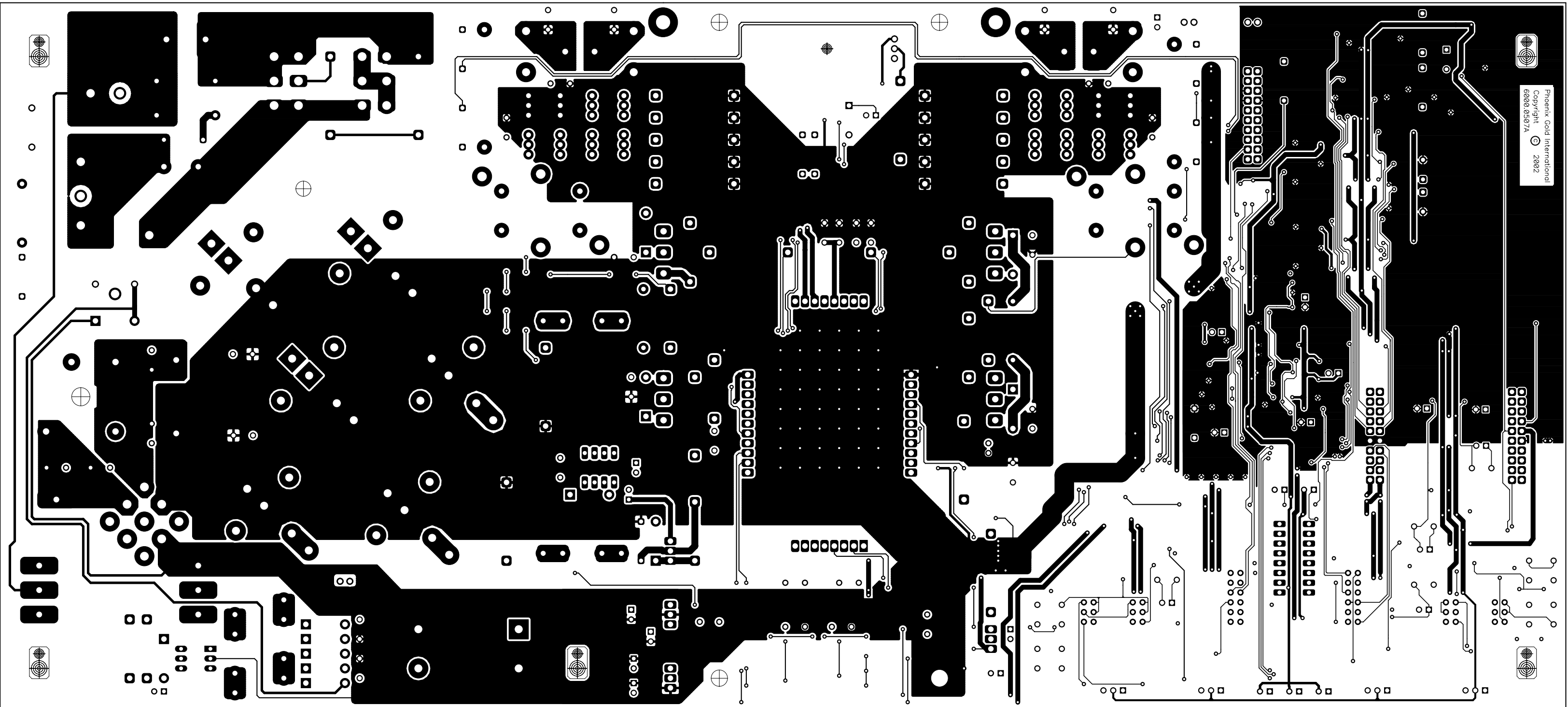
PROPRIETARY NOTICE
 THE INFORMATION CONTAINED IN THIS DOCUMENT IS
 PROPRIETARY TO PHOENIX GOLD / CARVER PROFESSIONAL
 AND SHALL NOT BE REPRODUCED OR DISCLOSED IN WHOLE OR
 IN PART WITHOUT PRIOR AUTHORIZATION FROM PHOENIX GOLD
 CARVER PROFESSIONAL

CARVER
 PROFESSIONAL

**SCHEMATIC: POWER AMPLIFIER
ZR SERIES**

SIZE B	DATE; Fri Oct 04, 2002	DWG No. 8000.0481	REV 1
APPD ENGR	DATE	APPD CHK	DATE
FILE; zrmaster.sch	DRAWN; BH	TIME; 11:38:02	SHEET 5 OF 5





Phoenix Gold International
Copyright © 2002
8000.0507A

CARVER
PROFESSIONAL
BY PHOENIX GOLD

MADE IN AMERICA
PLAYED ALL OVER THE WORLD

