



CR-3A SPECIFICATIONS

GENERAL: Half-track mono classroom cassette recorder with switchable A.L.C. and Auto-stop at end of tape in Play & Record.

TAPE SPEED: 1-7/8 I.P.S. $\pm 3\%$

WOW & FLUTTER: 0.25% W.R.M.S.

FREQUENCY RESPONSE: 50-10,000Hz $\pm 5\text{db}$

SIGNAL-TO-NOISE RATIO: 45db

AUX. INPUT: -10db, 100K ohms

MIC INPUT: -60db, 5K ohms

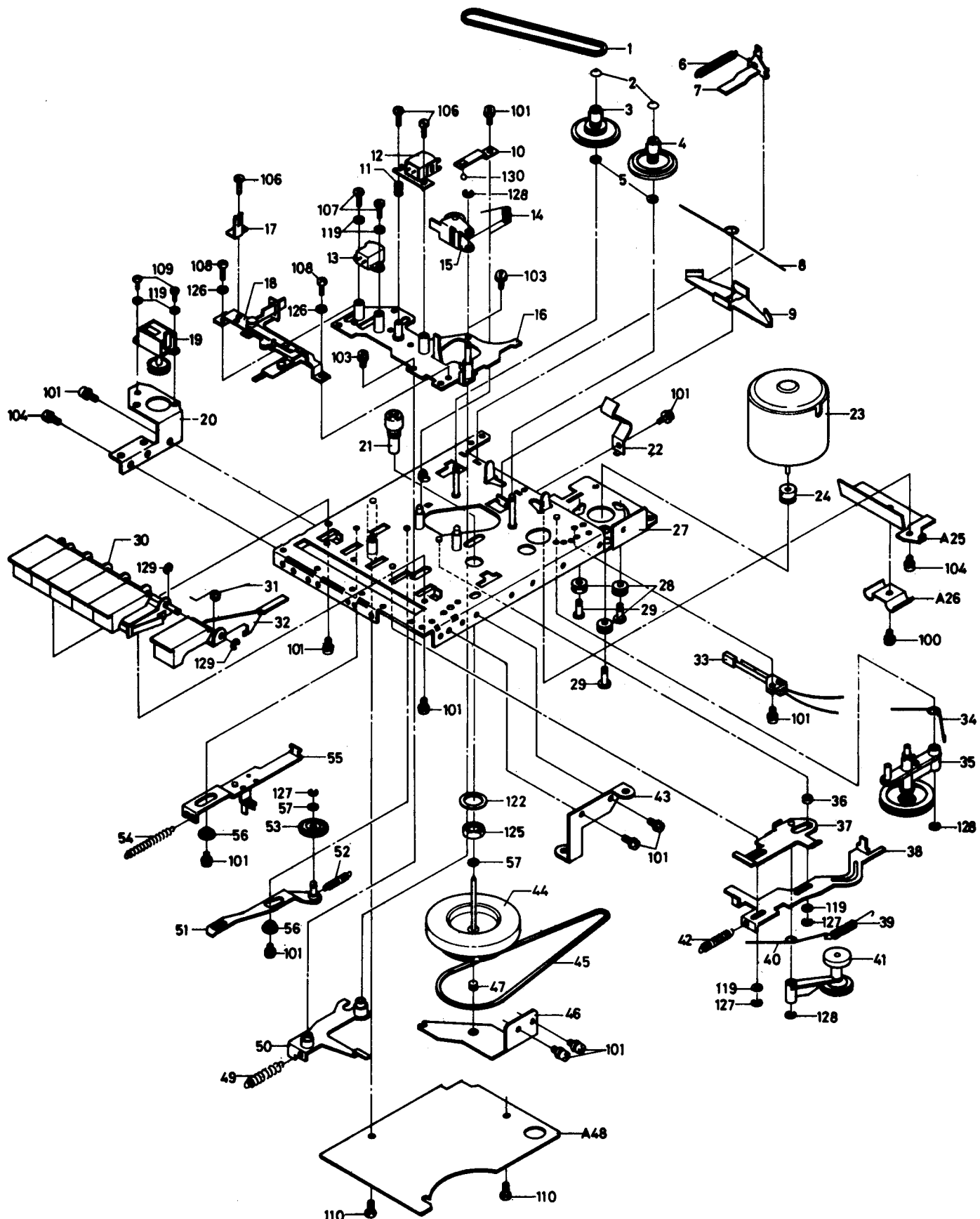
FAST-FORWARD & REWIND TIME: 100 secs. for C-60

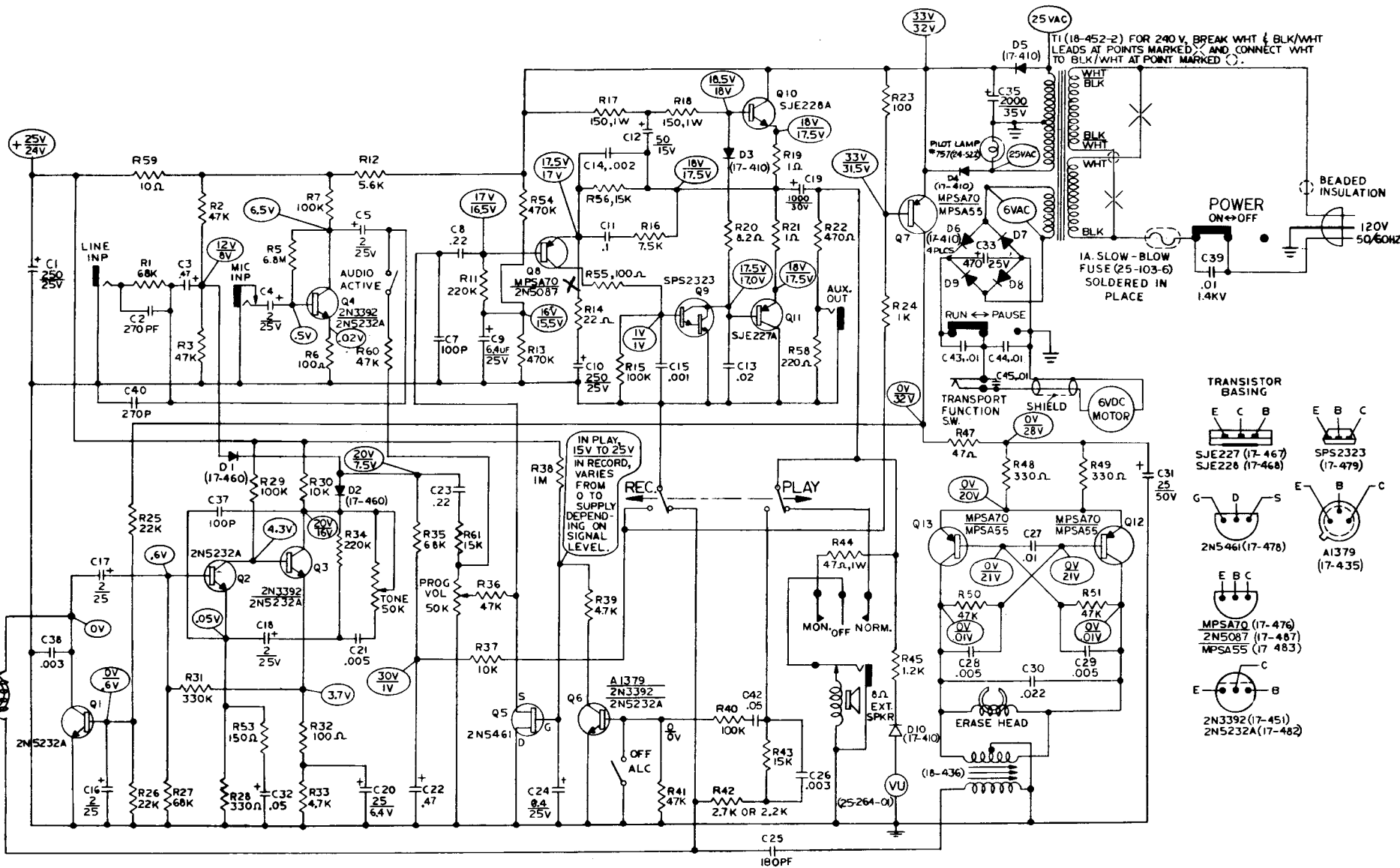
POWER OUTPUT: 7W continuous @ 5% THD into 8 ohms

ERASE: 55db @ 1KHz

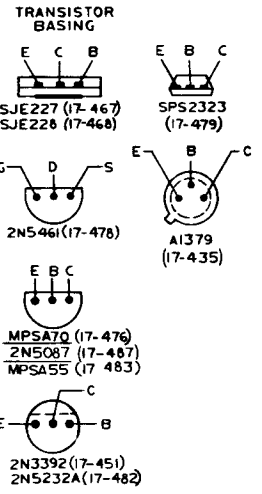
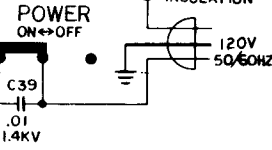
POWER SOURCE: 110-120 VAC 50/60Hz, 50 W. max.

MECHANISM EXPLODED VIEW





I1 (18-452-2) FOR 240V, BREAK WHT & BLK/WHT LEADS AT POINTS MARKED (X) AND CONNECT WHT TO BLK/WHT AT POINT MARKED (Y).



- NOTES:
1. 0.0V INDICATES PLAYBACK MODE WITH NO SIGNAL;
0.0V INDICATES RECORD MODE WITH NO SIGNAL
 2. UNLESS OTHERWISE SPECIFIED, ALL RESISTORS RATED 1/2W & 10%;
ALL CAPACITORS RATED 50 VDC & 20%
 3. ALL VOLTAGES ±10% REFERENCED TO CHASSIS,
MEASURED WITH 100KΩ/V METER
 4. CALIFONE PART NUMBERS SHOWN ()