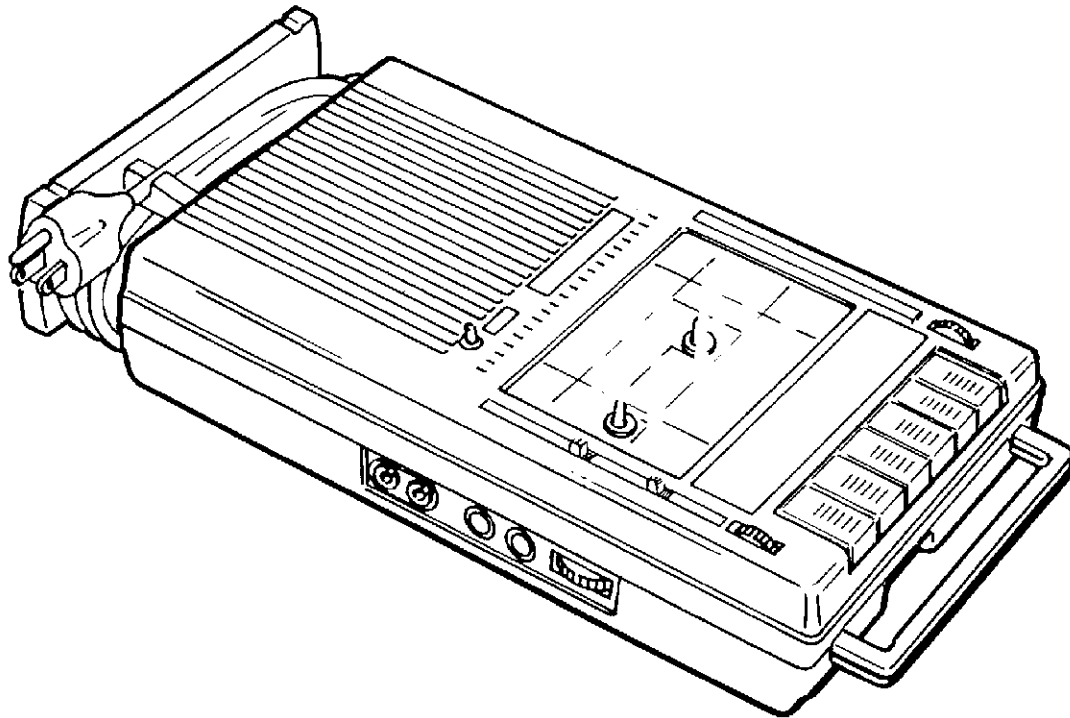


4530 AV

Service Manual

5 Watt Variable Speed Cassette Recorder Magnétophone à Cassette à Vitesse Variable, 5 Watt



RECEIVED
MICE GENERAL OFFICE

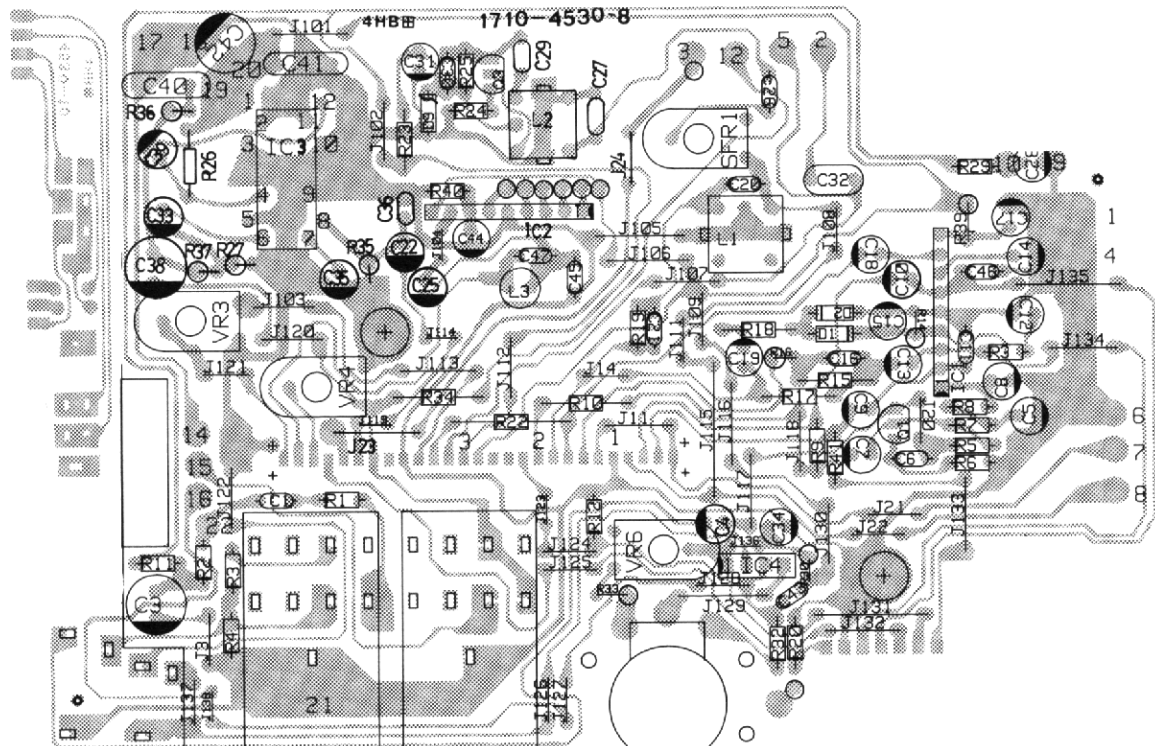
92-SEP-23 PM12:03

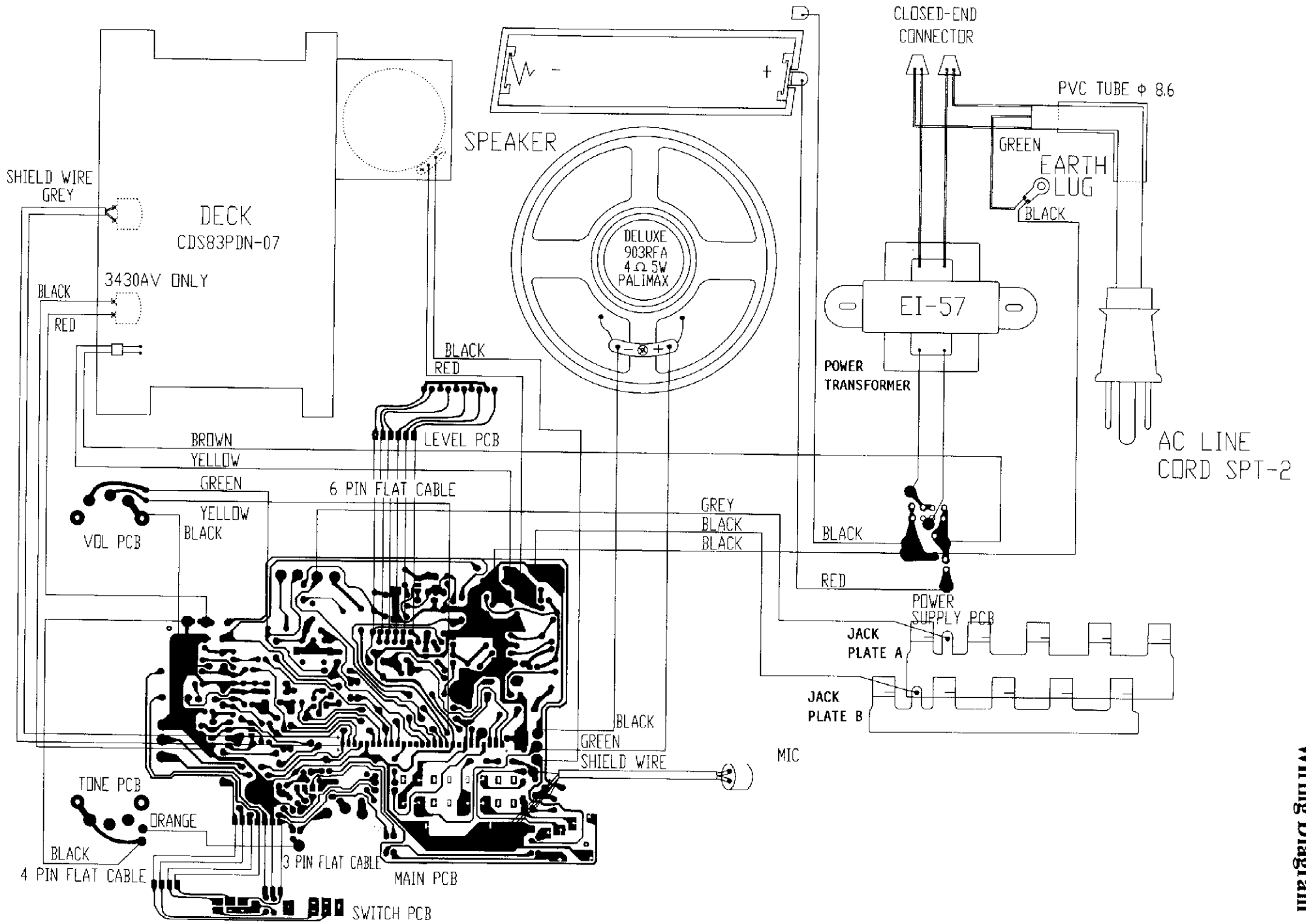
Données Techniques

Modél	4530AV
Type	Magnétophone
Puissance de Sortie	5W sous 4 Ohms
Réponse en Fréquence	63 Hz à 10kHz
Pleurage/Scintillement	<0.35%
Rapport Signal Sur Bruit	40dB, Non Pondéré
Haut-Parleur	9 cm, Rond
Durée d'Avance Accélérée/Rebobinage	120 s (C-60)
Micro	Incorporé
Commande du Niveau d'Enregistrement	ALC
Mécanisme	Arrêt Entièrement Automatique de veau (dans tout les modes)
Commandes	Enregistrement, Lecture, Repérage, Révision, Rejet, Pause, Volume, Tonalité, Sonorisation, Vitesse Variable et Commande Automatique de Niveau
Compte-Tours	X2 à 3 Chiffres
Prises de Sortie	5 Casques d'Écoute, 1 Haut-Parleur/ Casques d'Écoute (Prise 6,3 mm)
Prises d'entrée	Auxiliaire (Prise 6,3 mm), micro 3,5mm, télécommande 2,5mm
Alimentation	120Vc.a.50-60Hz, 6 piles de grandeur C
Dimensions	29 cm x 15 cm x 6,3 cm
Poids	2,3 Kg sans Piles

Specifications

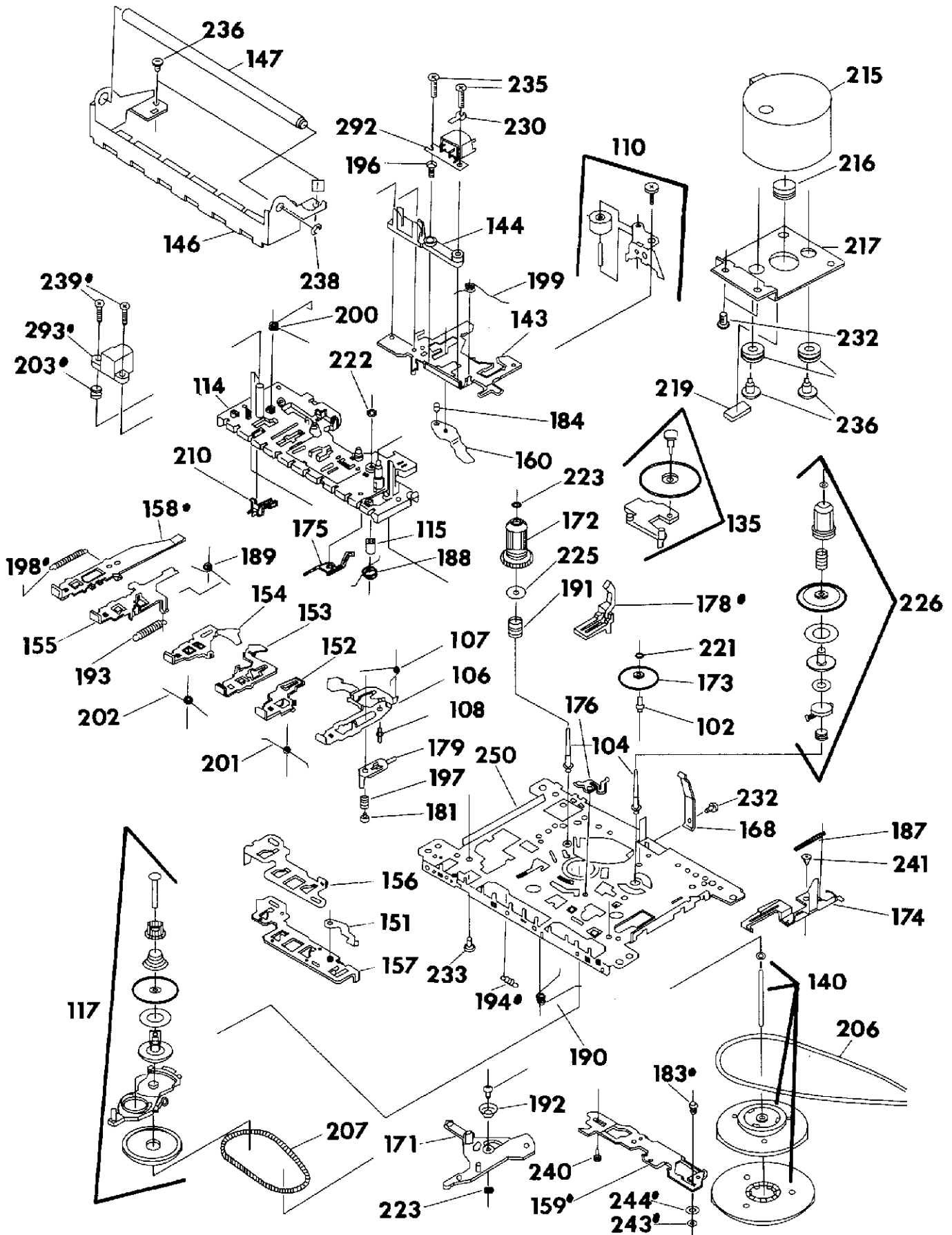
Model	4530AV
Type	Recorder
Amplifier Power Output	5 Watts RMS at 4 Ohms
Amplifier Frequency Response	63 -10kHz
Wow and Flutter	<0.35%
S/N Ratio	40dB Unweighted
Speaker	3½" Round, Dynamic
FF/Rew Time (C-60)	120 seconds
Microphone	Built-in Electret
Record Level Control	Switchable ALC
Mechanism	Full Auto Stop (all modes)
Controls	Record, Play, Cue, Review, Eject, Pause, Volume, Hi/Lo Tone, P.A., ALC, Variable Speed
Tape Counter	ICIA Standard 2X 3 Digit
Output Jacks	5 HP, 1 HP/Spkr.
Input Jacks	Auxiliary, 3.5mm mic, 2.5mm remote
Power Requirements	120V AC, 50-60 Hz, or 6 "C" cells
Dimensions	11½" L x 6" W x 2½" H
Weight	5 Lbs. without batteries





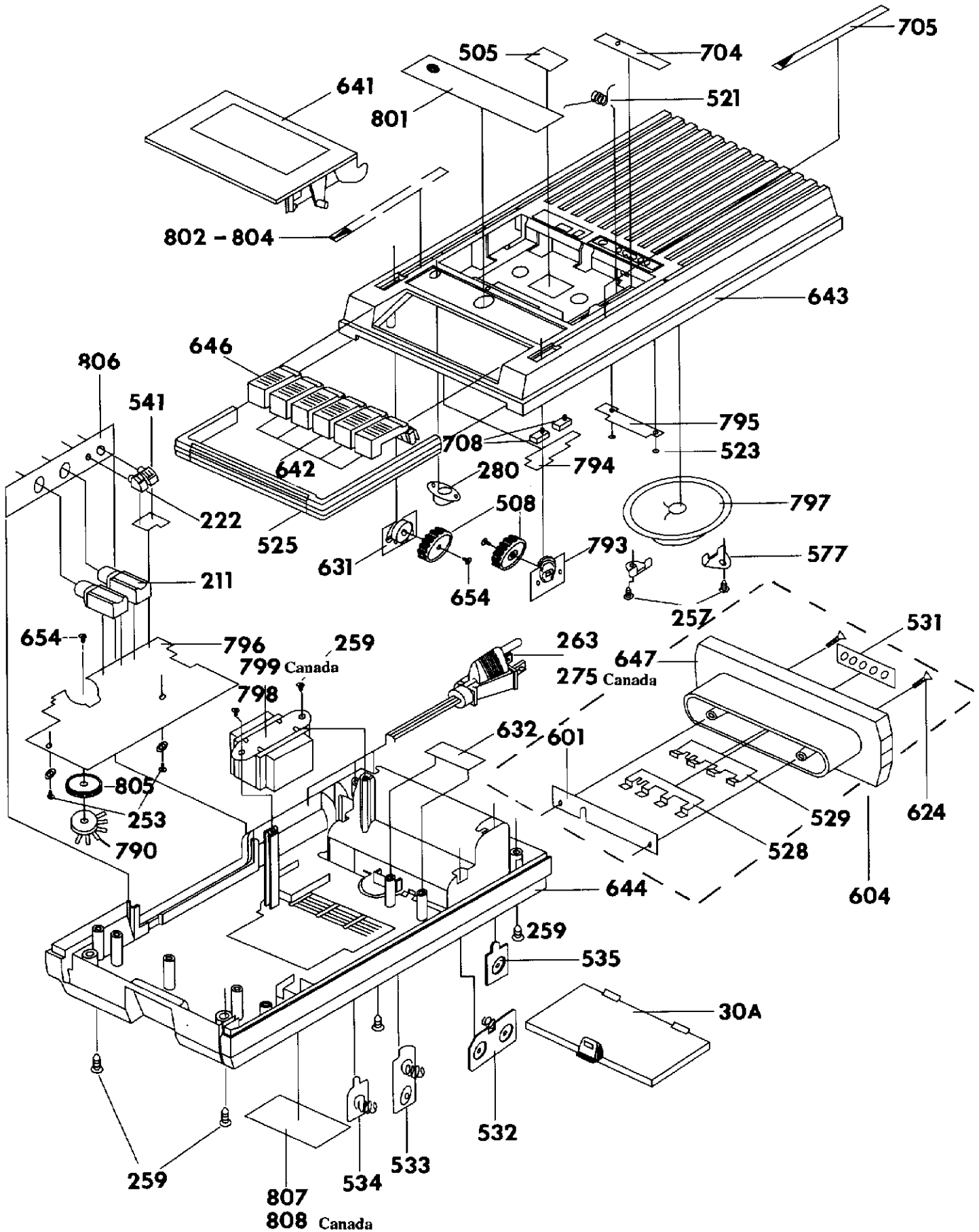
Wiring Diagram

Transport Explosion

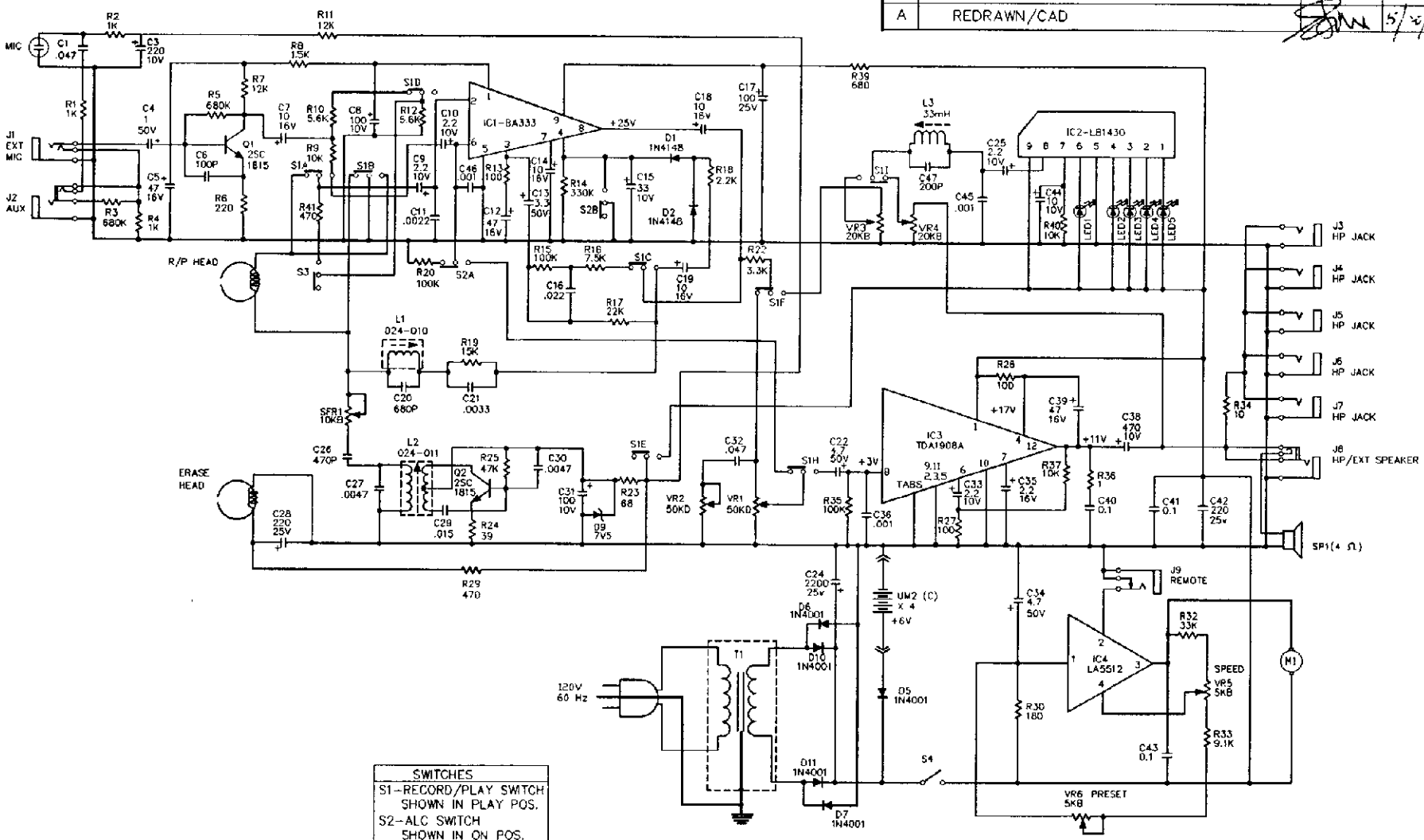


• RECORDER ONLY

Title CD8-83		
Drawing No.	Date	Appd.
CALIFONE		21300 Superior Street Chatsworth, CA 91311



REVISIONS		ENG. APP.	DATE
LTR	DESCRIPTION		
A	REDRAWN/CAD	<i>[Signature]</i>	5/2/12



SWITCHES
 S1-RECORD/PLAY SWITCH
 SHOWN IN PLAY POS.
 S2-ALC SWITCH
 SHOWN IN ON POS.
 S3-PA SWITCH
 SHOWN IN OFF POS.
 S4-POWER SWITCH
 SHOWN IN OFF POS.

ALL RESISTORS 1/4W +/-5% CARBON
 FILM UNLESS OTHERWISE DESIGNATED
 ALL CAPACITOR VALUES
 IN uF UNLESS NOTED OTHERWISE

CALIFONE INTERNATIONAL INC. 21300 SUPERIOR ST. CHATSWORTH, CA 91311		(818) 407-2400	
TITLE MODEL 4530AV SCHEMATIC DIAGRAM			
DRAWN BY: JAVIER FABIAN	DATE: 5-8-92	APPROVAL BY:	DATE:
DRAWING NO. 008-1655-00		REV.	

D.W.G. No. 008-1655-00

Replacement Parts

Packing

662-0040-552 Plastic Bag
 662-0040-553 End Cap Front
 662-0040-554 End Cap Front
 662-4530-786 Shipping Carton
 662-4530-788 Owner's Manual

Printed Circuit Board Assemblies

600-3100-211 Headphone Jack, 6.3mm
 600-3100-222 Remote Jack, 2.5mm
 600-3600-IC1 I.C., BA333, IC1
 600-3600-L1 Coil, L1
 600-3600-511 Switch, Record/Play
 600-3600-517 Pot, Trim 50K
 600-3600-523 IC, LB1403 IC2
 662-0040-541 Microphone Jack, 3.5mm
 662-0040-567 Pot, Tone 50K
 662-0040-655 Transistor, 2SC 1815
 662-0040-709 LED, 3mm Dia. Green
 662-4530-708 Switch, Slide
 662-4530-710 LED, 3mm Dia. Red
 662-4530-789 Pot, Trim 5K
 662-4530-790 Pot, Speed Control 5K
 662-4530-791 IC, TDA1908A
 662-4530-792 Heatsink

Final Assembly

600-3100-253 Screw, 2.6 x 6mm Binding
 600-3100-257 Screw, Self Tapping 3 x 6mm
 600-3100-259 Screw, Self Tapping 3 x 10mm
 600-3100-263 Cord, AC Power US, U.L.
 600-3100-275 Cord, AC Power Canada CSA
 600-3100-277 Label, Cation French
 600-3100-280 Holder, Electret Microphone
 600-3100-281 Microphone, Electret
 600-3100-291 Key, Function Red Single
 600-3100-297 Washer, Internal Tooth 2.6mm
 600-3600-320 Cover, Dust PA & ALC Switch
 600-3600-537 Washer, Fiber 8 x 3 x .4mm
 662-0040-30A Battery Door
 662-0040-505 Plate, Reflector
 662-0040-508 Knob, Volume and Tone
 662-0040-513 Spring, Cassette Hold Down
 662-0040-521 Spring, Cassette Door
 662-0040-525 Handle
 662-0040-528 Plate, HP Jack Contact Lower
 662-0040-529 Plate, HP Jack Contact Upper
 662-0040-531 Escutcheon, Jack Plate
 662-0040-532 Contact, Battery + and -
 662-0040-533 Contact, Battery + and -
 662-0040-534 Contact, Battery -
 662-0040-535 Contact, Battery +
 662-0040-537 Ribbon, Battery Tether
 662-0040-577 Clamp, Speaker
 662-0040-601 Plate, AC Cord Wrap
 662-0040-602 Clip, Cord
 662-0040-604 Wrap, AC Cord w/Plates

662-0040-624 Screw, Counter Sunk 3 x 12mm
 662-0040-631 PCB, Tone Control Complete
 662-0040-632 PCB, Power Supply Complete
 662-0040-633 Pad, Foam Shock Absorb
 662-0040-634 Nut, 3.5mm Jack
 662-0040-635 Nut, 2.5mm Jack
 662-0040-636 Stud, Threaded Brass
 662-0040-640 Bracket, Record Switch Actvtr.
 662-0040-641 Door, Cassette
 662-0040-642 Key, Single Grey Function
 662-0040-643 Cabinet, Top
 662-0040-644 Cabinet, Bottom
 662-0040-646 Key, Red Record
 662-0040-647 Wrap, AC Cord Unassembled
 662-0040-654 Screw, 1.7 x 4mm
 662-4530-704 Escutcheon, Level Meter
 662-4530-705 Escutcheon, Volume Indicator
 662-4530-793 PCB, Volume Control
 662-4530-794 PCB, PA & ALC Switches
 662-4530-795 PCB, Level Meter
 662-4530-796 PCB, Amplifier
 662-4530-797 Speaker, 4 Ohm 3 1/2" 5 Watt
 662-4530-798 Transformer, Power Canada
 662-4530-799 Transformer, Power U.S.
 662-4530-800 Spring, Speed Control Knob
 662-4530-801 Escutcheon, Function
 662-4530-802 Escutcheon, Tone Level
 662-4530-803 Escutcheon, ALC Switch
 662-4530-804 Escutcheon, PA Switch
 662-4530-805 Knob, Speed Control
 662-4530-806 Plate, Side Jack
 662-4530-807 Escutcheon, Rating U.S.
 662-4530-808 Escutcheon, Rating Canada

Transport Parts

600-3100-122 Belt, 2X Counter
 600-3100-123 Counter, 2X
 600-3100-283 Screw, 2.6 x 4mm
 600-3100-292 Head, Record/Play
 600-3100-293 Head, Erase
 600-3600-534 Screw, Machine 2 x 3mm
 600-5700-106 Lever, Pause
 600-5700-107 Spring, Pause Cancel
 600-5700-110 Assy, Pinch Roller
 600-5700-114 Case, Push Button
 600-5700-117 Assy, Clutch
 600-5700-135 Gear, Play Arm
 600-5700-140 Wheel, Fly
 600-5700-143 Base, Head Footing
 600-5700-144 Footing, Head
 600-5700-146 Bracket, Function Key
 600-5700-147 Shaft, Function Key
 600-5700-151 Arm, Eject
 600-5700-152 Lever, Stop
 600-5700-153 Lever, Fast Forward
 600-5700-154 Lever, Rewind

600-5700-155 Lever, Play
 600-5700-156 Plate, S.W. Op.
 600-5700-157 Plate, Lock
 600-5700-158 Lever, Record
 600-5700-159 Plate, APS Lock
 600-5700-160 Lever, Head Op. 184 Op. Pin
 600-5700-168 Spring, Leaf
 600-5700-171 Lever, Auto Kick
 600-5700-172 Spindle, Supply
 600-5700-173 Gear, Fast Forward
 600-5700-174 Hook, Eject
 600-5700-175 Arm, Cancel
 600-5700-176 Arm, Cancel
 600-5700-178 Lever, Record Safety
 600-5700-179 Lock, Pause
 600-5700-181 Bushing, Lock Pause Stopper
 600-5700-187 Spring, Eject Hook
 600-5700-188 Spring, Lock Plate
 600-5700-189 Spring, S.W. Op. Plate
 600-5700-190 Spring, Play Arm
 600-5700-191 Spring, Rewind Bt.
 600-5700-192 Spring, Auto Kick Arm
 600-5700-193 Spring, Play Lever
 600-5700-194 Spring, AF Record Safety
 600-5700-196 Spring, Azimuth
 600-5700-197 Spring, Pause Lock
 600-5700-198 Spring, Record Lever
 600-5700-199 Spring, Pinch Roller Arm
 600-5700-200 Spring, Head Base
 600-5700-201 Spring, Button Lever(A)
 600-5700-202 Spring, Button Lever(B)
 600-5700-203 Spring, Erase Head Align.
 600-5700-206 Main, Main Drive
 600-5700-207 Belt, Clutch Assy.
 600-5700-210 Switch, Leaf
 600-5700-215 Motor, D.C. Drive
 600-5700-216 Pulley Motor
 600-5700-217 Bracket, Drive Motor Mntg.
 600-5700-218 Grommets, Motor Mounting
 600-5700-219 Pad, Felt Anti-Vibration
 600-5700-221 Retainer, Fast Forward Gear
 600-5700-222 Washer, PSW 2.1x3.6x.4mm
 600-5700-223 Washer, 1.2 x 3.6 x .35mm
 600-5700-225 Washer, Supply Spindle
 600-5700-226 Spindle, Take Up
 600-5700-230 Lug, R/P Head Grounding
 600-5700-232 Screw, Bind DT 2 x 4mm
 600-5700-233 Screw, Bind Head 2 x 5mm
 600-5700-235 Screw, Record/Play Head
 600-5700-236 Screw, DT #1 2 x 7mm
 600-5700-238 E-Ring, Function Key Shaft
 600-5700-239 Screw, Erase Head
 600-5700-240 Screw, Plax, 2 x 8mm
 600-5700-243 Washer, 1.6 x 4 x .25mm
 600-5700-244 Washer, 2.1 x 5 x .5mm

Final Assembly Screw Placement Information

600-3100-253 Screw, 2.6mm x 6 mm Binding Head
 600-3100-257 Screw, Self Tapping 3mm x 6mm BA NI
 600-3100-259 Screw, Self Tapping 3mm x 10mm BA
 600-3100-283 Screw, 2.6mm x 4mm
 600-3600-534 Screw, Machine 2mm x 3mm
 662-0040-624 Screw, 3 x 12mm Counter Sunk Head
 662-0040-654 Screw, 1.7 x 4mm

Main PCB to Mechanism

Main, Control and Power Supply PCB's and Mechanism to deck
 Transformer and AC Cord to Deck
 Counter Bracket to Mechanism
 Record/Play Switch Activator Bracket
 AC Cord Wrap to Case
 Knob to Pots

For additional information call Califone Customer Service at 1-800-722-0500 or write to:
 Califone International, Inc., 21300 Superior Street, Chatsworth, CA 91311