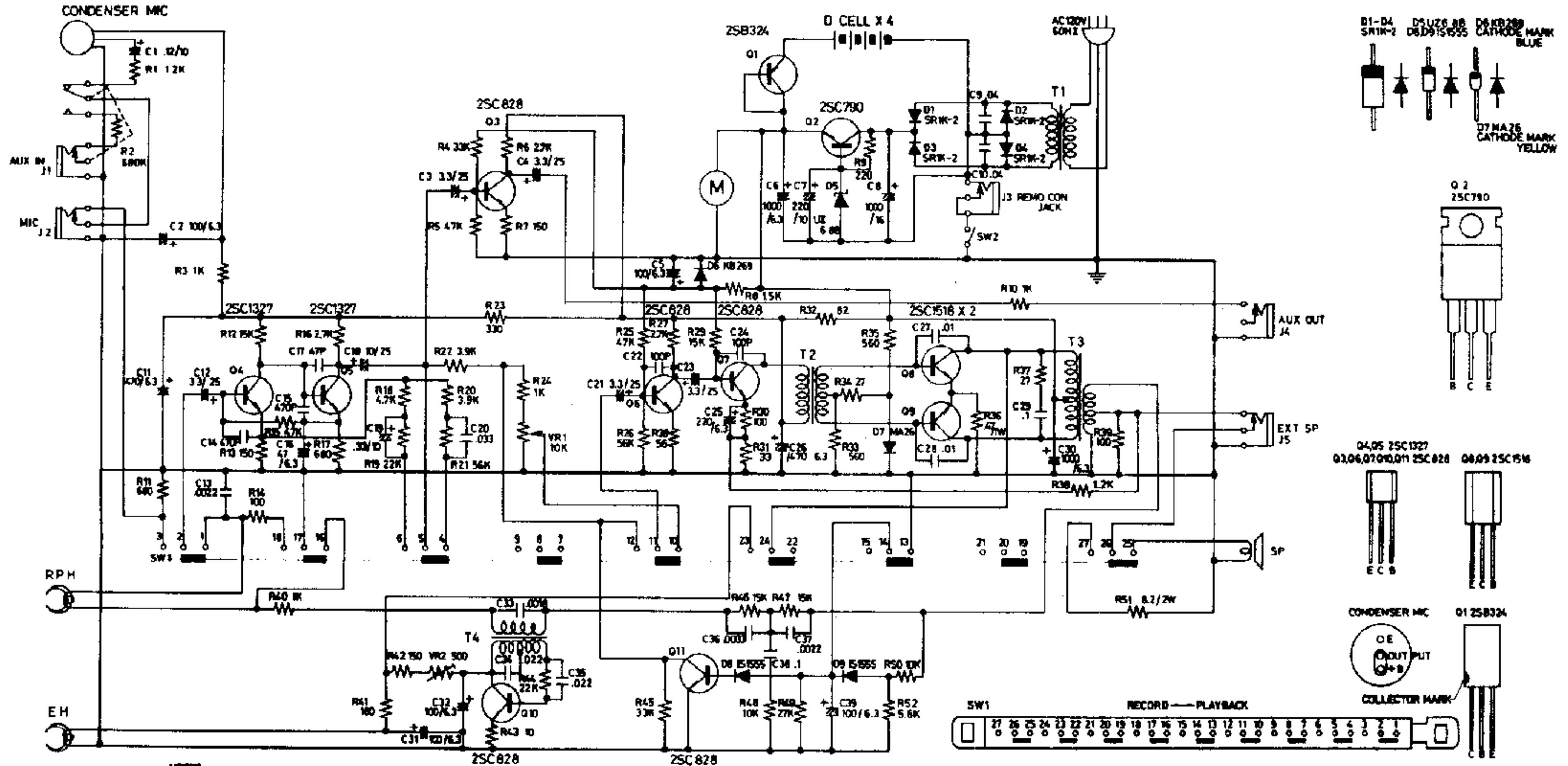
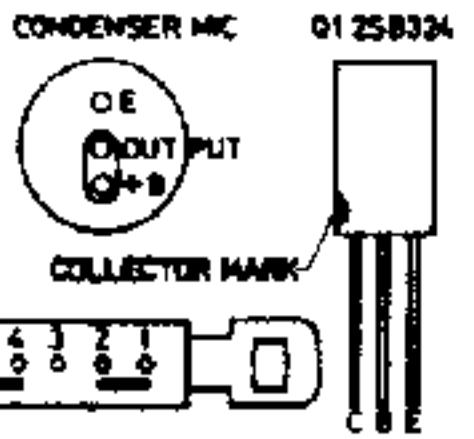
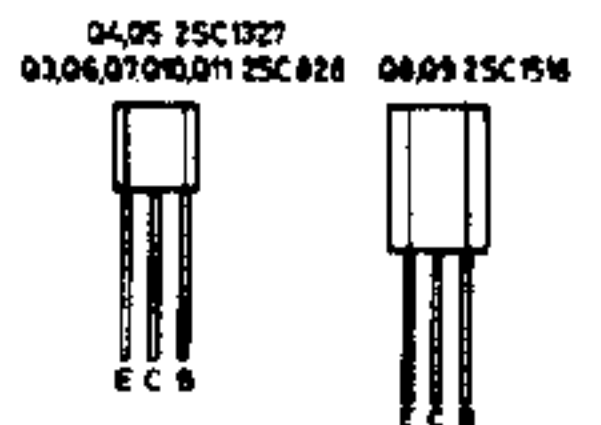
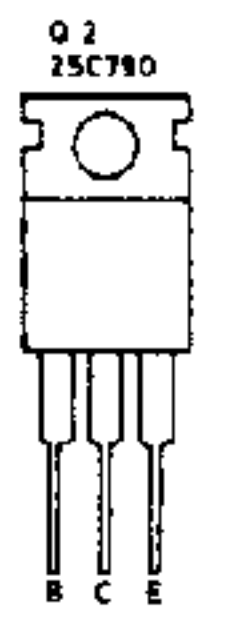
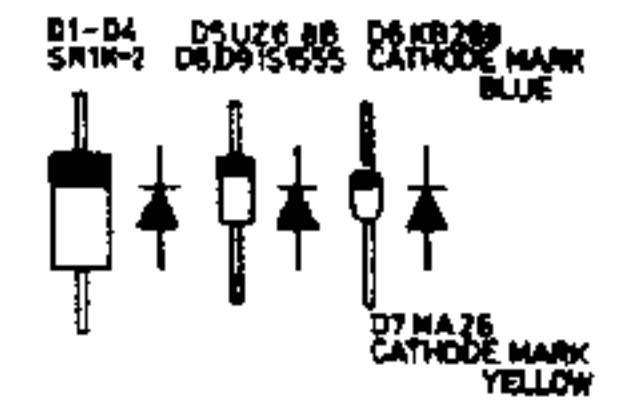


3520 SCHEMATIC DIAGRAM

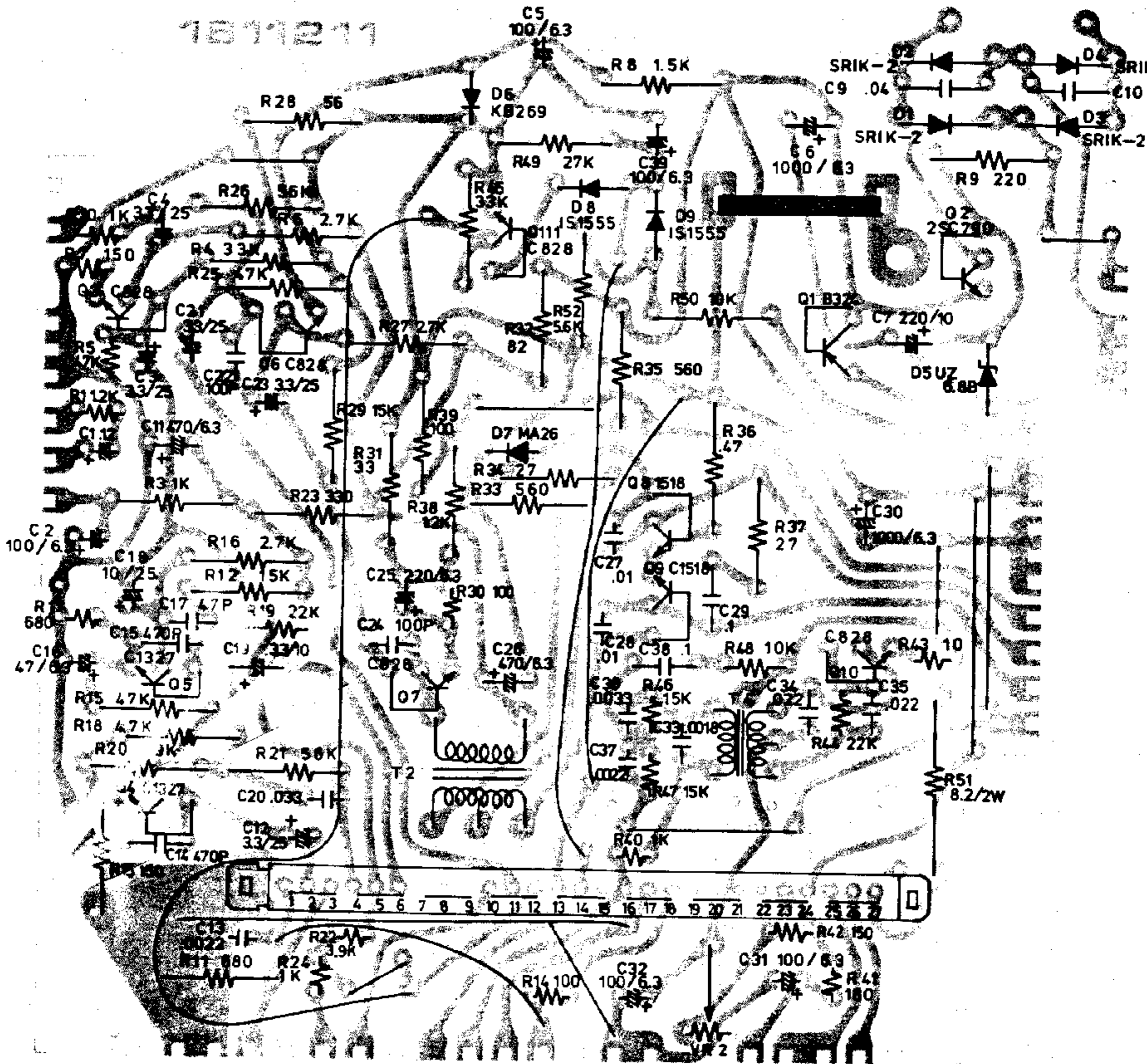


NOTES
 1 SW1 RECORD PLAYBACK SW. SHOW IN PLAYBACK POSITION.
 2 SW2 MAIN SW.



3520 SCHEMATIC

1B71211



3520 WIRING

