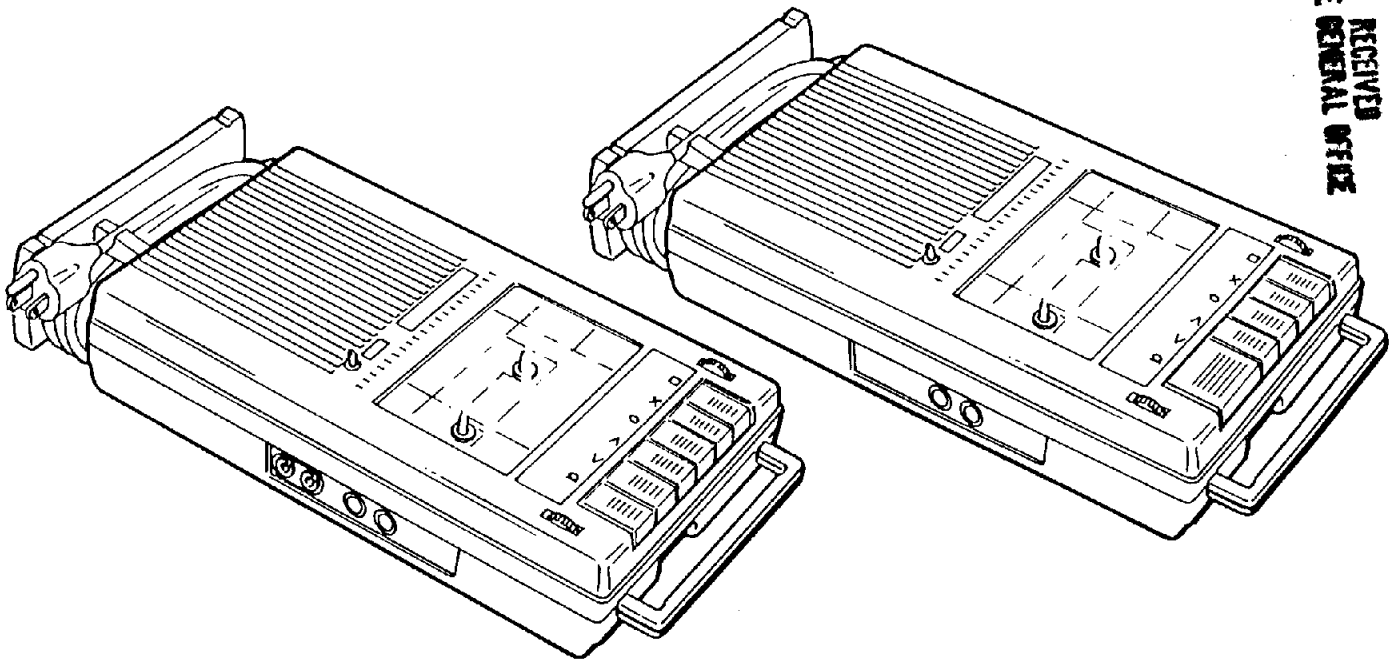


# 3410AV / 3430AV

## Service Manual

### 2 Watt Cassette Player and Recorder Lecteur et Magnétophone à Cassette, 2 Watt



RECEIVED  
MTC GENERAL OFFICE

92 SEP 23 PM 12:03

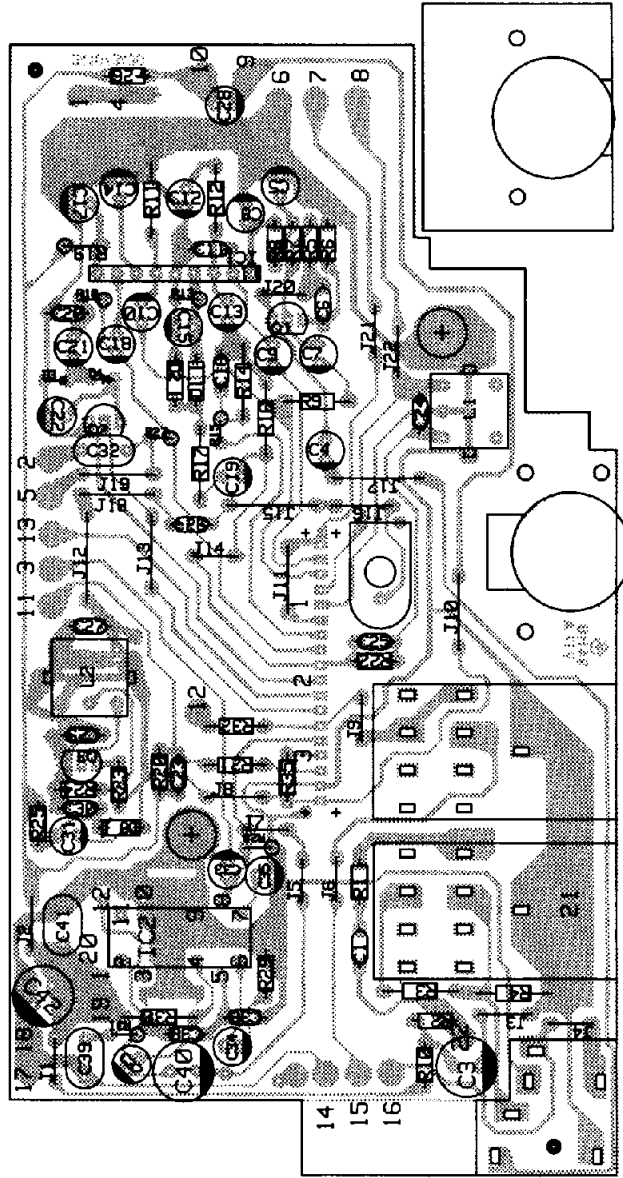
#### Données Techniques

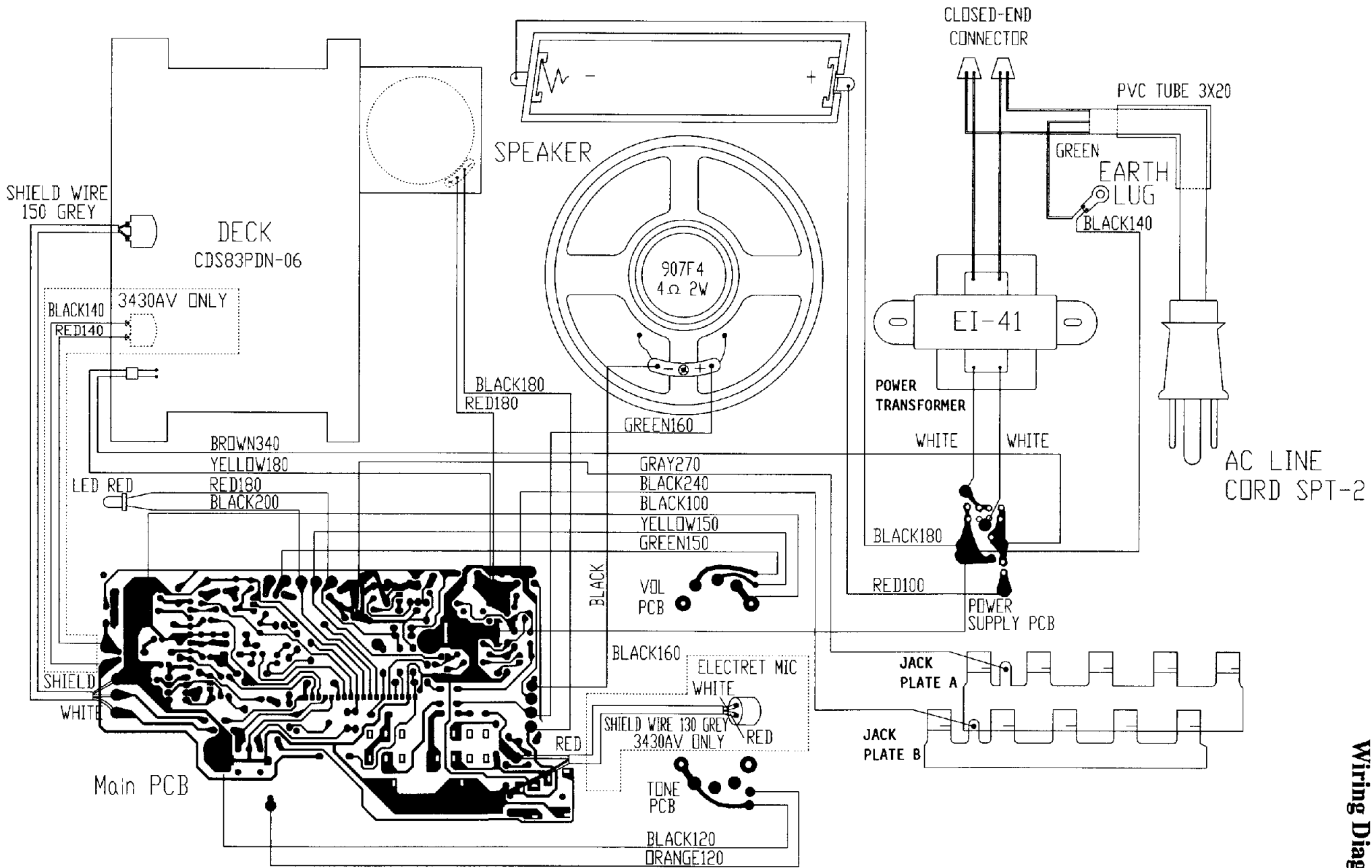
Modèle	3410AV	3430AV
Type	Lecteur	Magnétophone
Puissance de Sortie	2W sous 4 Ohms	
Réponse en Fréquence	63-10kHz	
Pleurage/Scintillement	<0.35%	
Rapport Signal Sur Bruit	dB, Non Pondéré	
Haut-Parleur	9 cm, Rond	
Durée d'Avance Accélérée/Rebobinage	120 s (C-60)	
Micro	Ne s'applique pas	Incorporé
Commande du Niveau d'enregistrement	Ne s'applique pas	ALC
Commandes	Lecture, Repérage, Révision, Rejet, Pause, Volume, Tonalité	Enregistrement, Lecture, Repérage, Révision, Rejet, Pause, Volume, Tonalité
Mécanisme	Arrêt Entièrement Automatique du Niveau	
Compte-Tours	X2 à 3 Chiffres	
Prises de Sortie	5 Casques d'Écoute, 1 Haut-Parleur/ Casques d'Écoute, Prise 6,3 mm	
Prises d'entrée	Ne s'applique pas	micro 3,5mm, télécommande 2,5mm
Alimentation	120Vc.a.50-60Hz ou 6 piles de grandeur C	
Dimensions	29 cm x 15 cm x 6,3 cm	
Poids	2,3 Kg sans Piles	

#### Specifications

Model	3410AV	3430AV
Type	Player	Recorder
Power Output	2W into 4 Ohms	
Freq. Resp.	63-10kHz	
Wow and Flutter	<0.35%	
S/N Ratio	40dB Unweighted	
Speaker	3½" Round	
FF/Rew Time	120 seconds (C-60)	
Microphone	N/A	Built-in
Record Level Control	N/A	ALC
Mechanism	Full Auto Stop (all modes)	
Controls	Play, Cue, Review, Eject, Pause, Volume, Hi-Lo Tone	Record, Play, Cue Review, Eject, Pause, Volume, Hi-Lo Tone
Tape Counter	2X 3 Digit	
Output Jacks	5 HP, 1 HP/Spkr., ¼" Phone	
Input Jacks	N/A	3.5mm mic, 2.5mm remote
Power Requirements	120VAC 50-60Hz or 6 "C" cells	
Dimensions	11½"L x 6"W x 2 ½"H	
Weight	5 Lbs. without batteries	

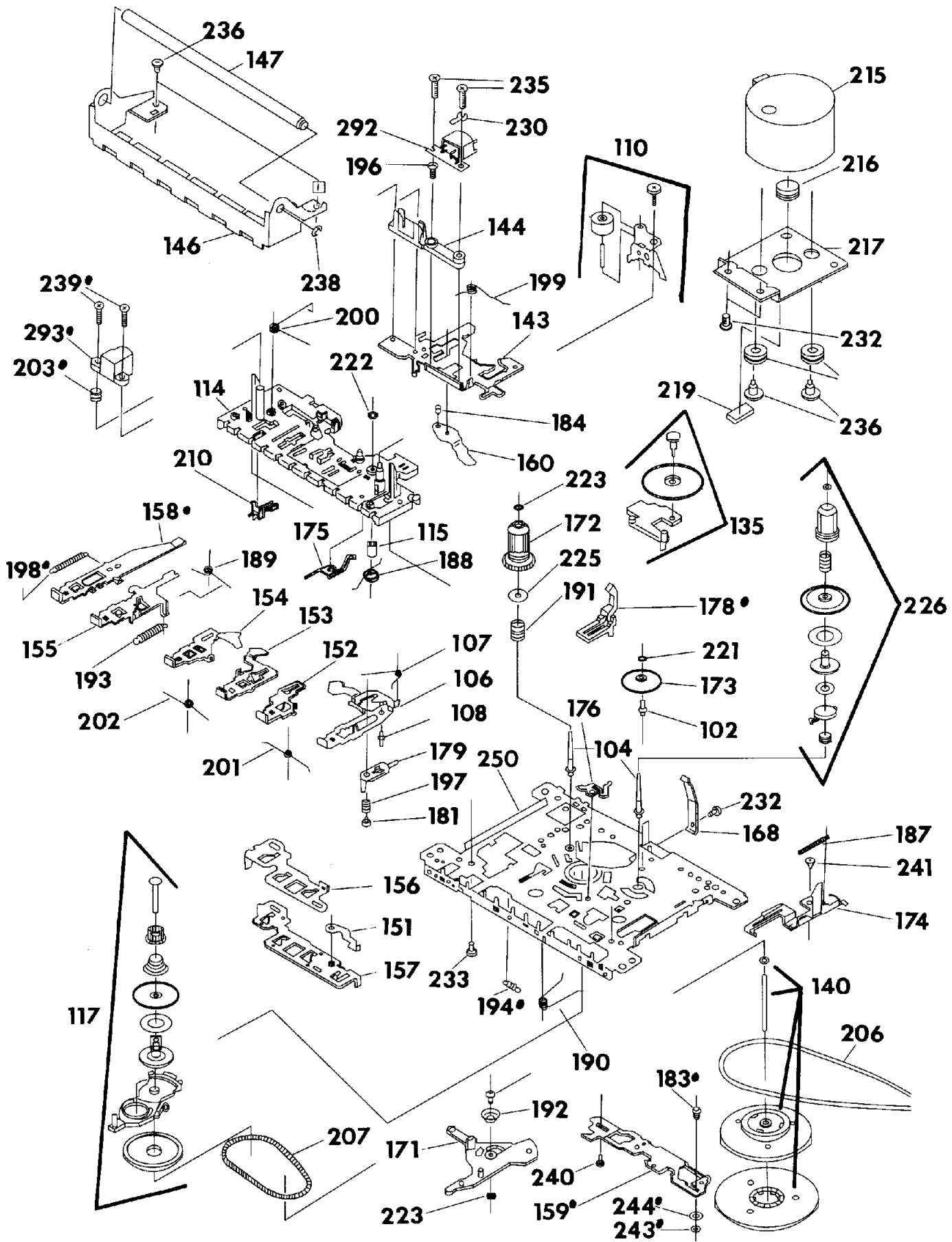
# Printed Circuit Board





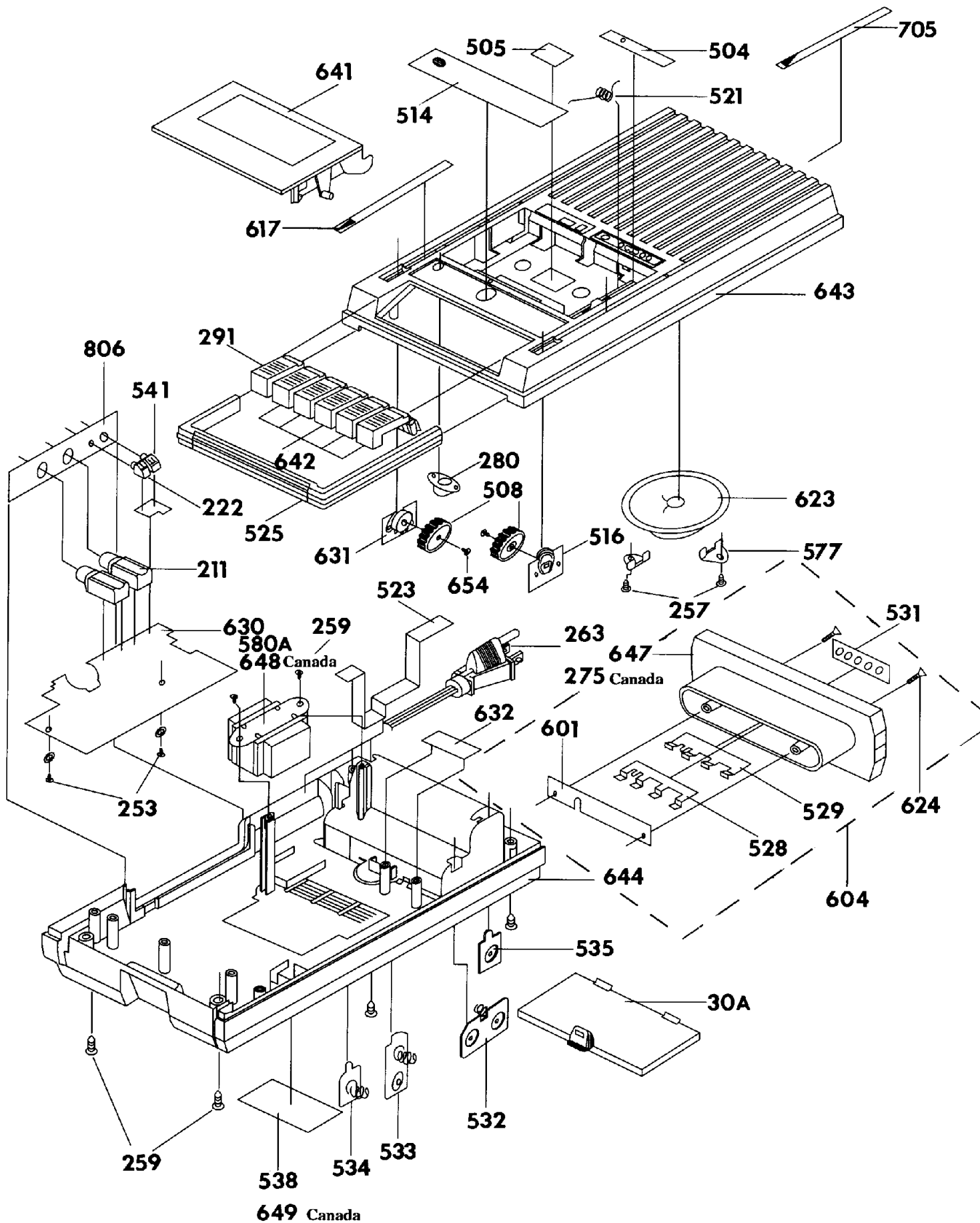
Wiring Diagram

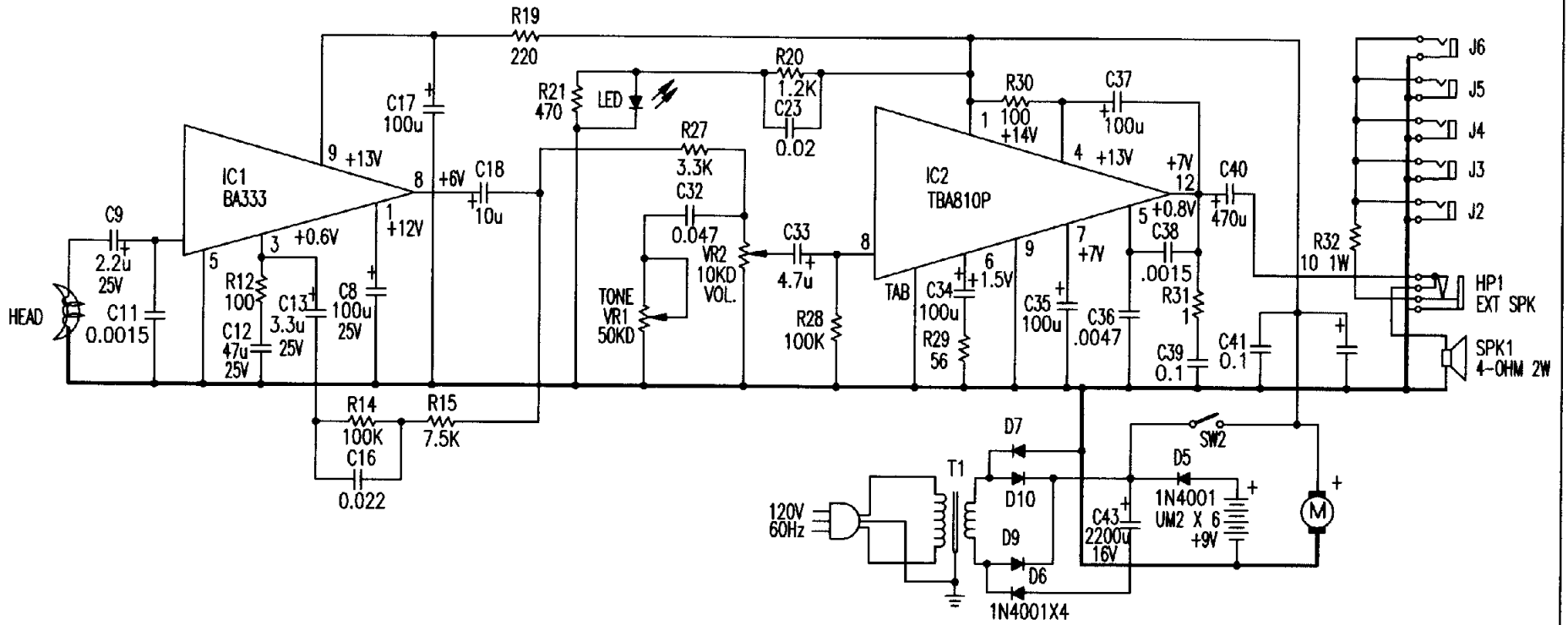
# Transport Explosion



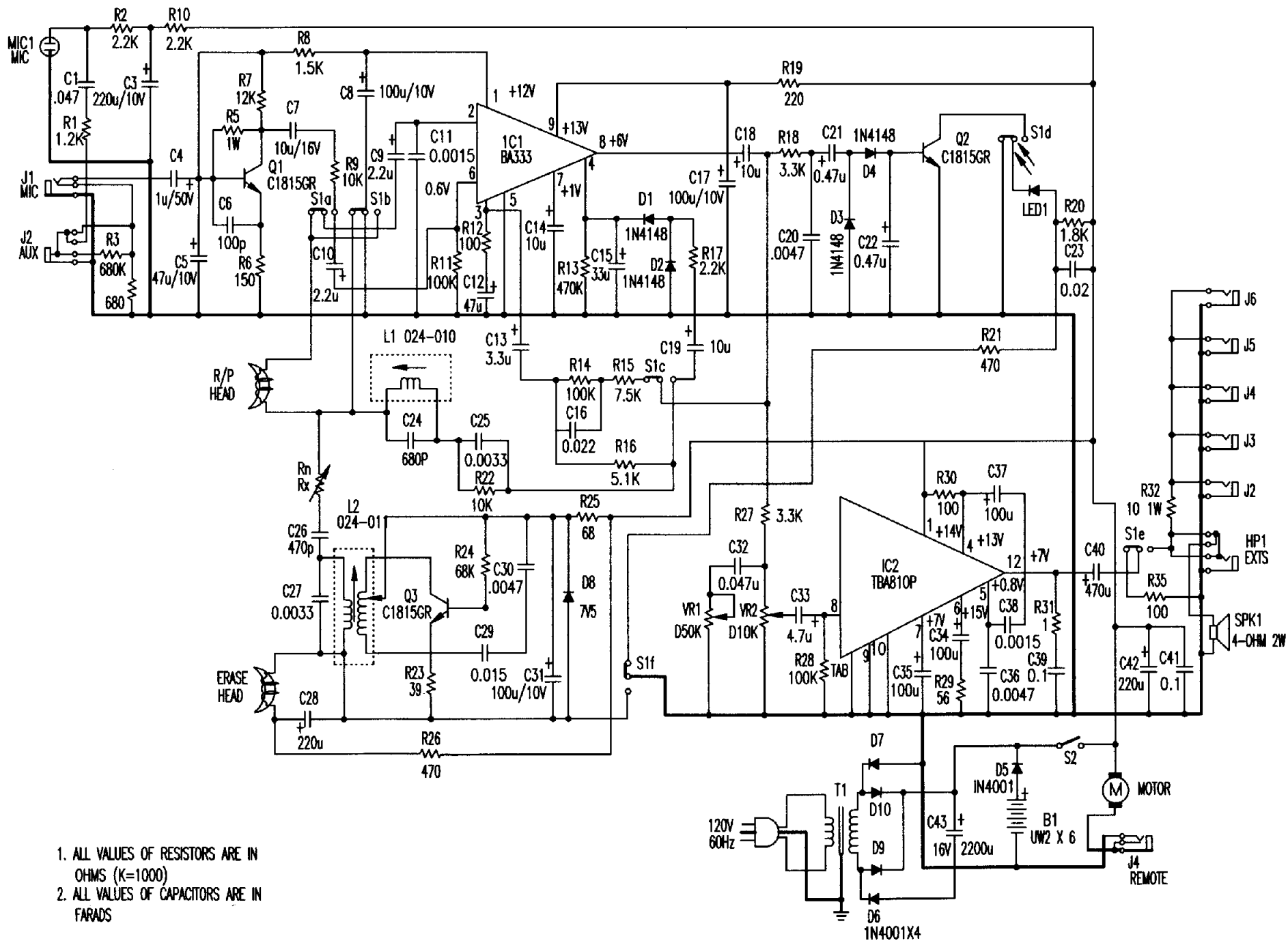
• RECORDER ONLY

Title <b>CDS-83</b>		
Drawing No.	Date	Appd.
<b>CALIFONE</b>		21300 Superior Street Chatsworth, CA 91311





1. ALL VALUES OF RESISTORS ARE IN OHMS (K=1000)
2. ALL VALUES OF CAPACITORS ARE IN FARADS



Schematic Diagram - Model 3430AV

# Replacement Parts

## Packing

- 662-0040-552 Plastic Bag
- 662-0040-553 End Cap Front
- 662-0040-554 End Cap Front
- 662-0040-625 Shipping Carton 3430AV
- 662-0040-626 Shipping Carton 3410AV
- 662-0040-628 Owner's Manual

## Printed Circuit Board Assemblies

- 600-3100-211 Headphone Jack, 6.3mm
- 600-3100-222 Remote Jack, 2.5mm
- 600-3600-IC1 I.C., BA333, IC1
- 600-3600-511 Switch, Record/Play
- 600-3600-517 Pot, Trim 10K
- 662-0040-541 Microphone Jack, 3.5mm
- 662-0040-565 Pot, Volume 10K
- 662-0040-567 Pot, Tone 50K
- 662-0040-629 IC, TBA 810P
- 662-0040-655 Transistor, 2SC 1815

## Final Assembly

- 600-3100-253 Screw, 2.6 x 6mm Binding
- 600-3100-257 Screw, Self Tapping 3 x 6mm
- 600-3100-259 Screw, Self Tapping 3 x 10mm
- 600-3100-263 Cord, AC Power US, U.L.
- 600-3100-275 Cord, AC Power Canada CSA
- 600-3100-277 Label, Cation French
- 600-3100-280 Holder, Electret Microphone
- 600-3100-281 Microphone, Electret
- 600-3100-291 Key, Function Red Single
- 600-3100-297 Washer, Internal Tooth 2.6mm
- 600-3600-521 LED, Red Power
- 600-3600-537 Washer, Fiber 8 x 3 x .4mm
- 662-0040-30A Battery Door
- 662-0040-504 Escutcheon, Counter
- 662-0040-505 Plate, Reflector
- 662-0040-507 Plate, Side Jack 3430AV
- 662-0040-508 Knob, Volume and Tone
- 662-0040-513 Spring, Cassette Hold Down
- 662-0040-514 Escutcheon, Function 3430AV
- 662-0040-516 PCB, Volume Complete
- 662-0040-521 Spring, Cassette Door
- 662-0040-523 Bracket, Transformer
- 662-0040-525 Handle
- 662-0040-528 Plate, HP Jack Contact Lower
- 662-0040-529 Plate, HP Jack Contact Upper
- 662-0040-531 Escutcheon, Jack Plate
- 662-0040-532 Contact, Battery + and -
- 662-0040-533 Contact, Battery + and -
- 662-0040-534 Contact, Battery -
- 662-0040-535 Contact, Battery +
- 662-0040-537 Ribbon, Battery Tether
- 662-0040-538 Escutcheon, Rating U.S. 3430
- 662-0040-577 Clamp, Speaker
- 662-0040-580A Transformer, Power U.S.

- 662-0040-601 Plate, AC Cord Wrap
- 662-0040-602 Clip, Cord
- 662-0040-604 Wrap, AC Cord w/Plates
- 662-0040-617 Escutcheon, Tone Control
- 662-0040-623 Speaker, 3/4" Dia. 2 Watt
- 662-0040-624 Screw, Counter Sunk 3 x 12mm
- 662-0040-630 PCB, Amplifier Complete 3430
- 662-0040-631 PCB, Tone Control Complete
- 662-0040-632 PCB, Power Supply Complete
- 662-0040-633 Pad, Foam Shock Absorb
- 662-0040-634 Nut, 3.5mm Jack
- 662-0040-635 Nut, 2.5mm Jack
- 662-0040-636 Stud, Threaded Brass
- 662-0040-637 Mechanism, Transport 3410AV
- 662-0040-638 Mechanism, Transport 3430AV
- 662-0040-639 Escutcheon, Rating U.S. 3410
- 662-0040-640 Bracket, Record Switch Actvtr.
- 662-0040-641 Door, Cassette
- 662-0040-642 Key, Single Grey Function
- 662-0040-643 Cabinet, Top
- 662-0040-644 Cabinet, Bottom
- 662-0040-645 Plate, Side Jack 3410AV
- 662-0040-646 Key, Red Record
- 662-0040-647 Wrap, AC Cord Unassembled
- 662-0040-648 Transformer, Power Canada
- 662-0040-649 Escutcheon, Rating CDN 3430
- 662-0040-650 Escutcheon, Rating CDN 3410
- 662-0040-651 Key, Double Grey Play 3410AV
- 662-0040-652 PCB, Amplifier Complete 3410
- 662-0040-653 Escutcheon, Function 3410AV
- 662-0040-654 Screw, 1.7 x 4mm
- 662-0040-705 Escutcheon, Volume Indicator

## Transport Parts

- 600-3100-122 Belt, 2X Counter
- 600-3100-123 Counter, 2X
- 600-3100-283 Screw, 2.6 x 4mm
- 600-3100-292 Head, Record/Play
- 600-3100-293 Head, Erase
- 600-3600-534 Screw, Machine 2 x 3mm
- 600-5700-106 Lever, Pause
- 600-5700-107 Spring, Pause Cancel
- 600-5700-110 Assy, Pinch Roller
- 600-5700-114 Case, Push BUtton
- 600-5700-117 Assy, Clutch
- 600-5700-135 Gear, Play Arm
- 600-5700-140 Wheel, Fly
- 600-5700-143 Base, Head Footing
- 600-5700-144 Footing, Head
- 600-5700-146 Bracket, Function Key
- 600-5700-147 Shaft, Function Key
- 600-5700-151 Arm, Eject
- 600-5700-152 Lever, Stop
- 600-5700-153 Lever, Fast Forward
- 600-5700-154 Lever, Rewind

- 600-5700-155 Lever, Play
- 600-5700-156 Plate, S.W. Op.
- 600-5700-157 Plate, Lock
- 600-5700-158 Lever, Record
- 600-5700-159 Plate, APS Lock
- 600-5700-160 Lever, Head Op. 184 Op. Pin
- 600-5700-168 Spring, Leaf
- 600-5700-171 Lever, Auto Kick
- 600-5700-172 Spindle, Supply
- 600-5700-173 Gear, Fast Forward
- 600-5700-174 Hook, Eject
- 600-5700-175 Arm, Cancel
- 600-5700-176 Arm, Cancel
- 600-5700-178 Lever, Record Safety
- 600-5700-179 Lock, Pause
- 600-5700-181 Bushing, Lock Pause Stopper
- 600-5700-187 Spring, Eject Hook
- 600-5700-188 Spring, Lock Plate
- 600-5700-189 Spring, S.W. Op. Plate
- 600-5700-190 Spring, Play Arm
- 600-5700-191 Spring, Rewind Bt.
- 600-5700-192 Spring, Auto Kick Arm
- 600-5700-193 Spring, Play Lever
- 600-5700-194 Spring, AF Record Safety
- 600-5700-196 Spring, Azimuth
- 600-5700-197 Spring, Pause Lock
- 600-5700-198 Spring, Record Lever
- 600-5700-199 Spring, Pinch Roller Arm
- 600-5700-200 Spring, Head Base
- 600-5700-201 Spring, Button Lever (A)
- 600-5700-202 Spring, Button Lever (B)
- 600-5700-203 Spring, Erase Head Align.
- 600-5700-206 Main, Main Drive
- 600-5700-207 Belt, Clutch Assy.
- 600-5700-210 Switch, Leaf
- 600-5700-215 Motor, D.C. Drive
- 600-5700-216 Pulley, Motor
- 600-5700-217 Bracket, Drive Motor Mntg.
- 600-5700-218 Grommets, Motor Mounting
- 600-5700-219 Pad, Felt Anti-Vibration
- 600-5700-221 Retainer, Fast Forward Gear
- 600-5700-222 Washer, PSW 2.1x3.6x.4mm
- 600-5700-223 Washer, 1.2 x 3.6 x .35mm
- 600-5700-225 Washer, Supply Spindle
- 600-5700-226 Spindle, Take Up
- 600-5700-230 Lug, R/P Head Grounding
- 600-5700-232 Screw, Bind DT 2 x 4mm
- 600-5700-233 Screw, Bind Head 2 x 5mm
- 600-5700-235 Screw, Record/Play Head
- 600-5700-236 Screw, DT #1 2 x 7mm
- 600-5700-238 E-Ring, Function Key Shaft
- 600-5700-239 Screw, Erase Head
- 600-5700-240 Screw, Plax, 2 x 8mm
- 600-5700-243 Washer, 1.6 x 4 x .25mm
- 600-5700-244 Washer, 2.1 x 5 x .5mm

## Final Assembly Screw Placement Information

- 600-3100-253 Screw, 2.6mm x 6 mm Binding Head
- 600-3100-257 Screw, Self Tapping 3mm x 6mm BA NI
- 600-3100-259 Screw, Self Tapping 3mm x 10mm BA
- 600-3100-283 Screw, 2.6mm x 4mm
- 600-3600-534 Screw, Machine 2mm x 3mm
- 662-0040-624 Screw, 3 x 12mm Counter Sunk Head
- 662-0040-654 Screw, 1.7 x 4mm

- Main PCB to Mechanism
- Main, Control and Power Supply PCB's and Mechanism to deck
- Transformer and AC Cord to Deck
- Counter Bracket to Mechanism
- Record/Play Switch Activator Bracket
- AC Cord Wrap to Case
- Knob to Pots

For additional information call Califone Customer Service at 1-800-722-0500 or write to:  
 Califone International, Inc., 21300 Superior Street, Chatsworth, CA 91311