

TRANSISTOR ALTERNATIVES

- Q8 - 2SB720
- Q12 - 2SD760
- Q15 - 2SD760
- Q16 - 2SB720

A & R CAMBRIDGE LTD

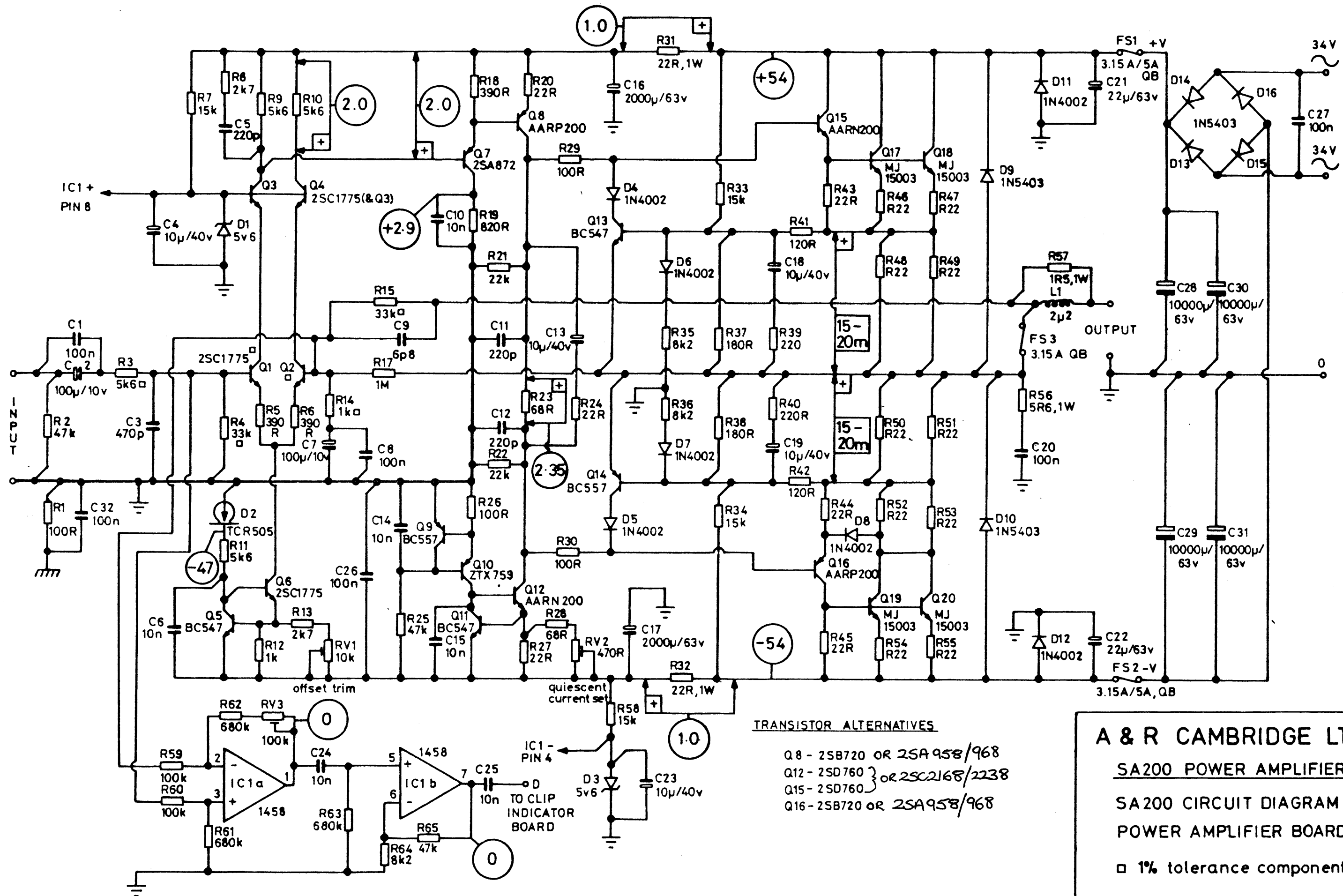
SA150 POWER AMPLIFIER

SA150 CIRCUIT DIAGRAM
POWER AMPLIFIER BOARD

□ 1% tolerance components

February 1983

A.C.H.



TRANSISTOR ALTERNATIVES

Q8 - 2SB720 OR 2SA958/968
 Q12 - 2SD760 } OR 2SC2168/2238
 Q15 - 2SD760 }
 Q16 - 2SB720 OR 2SA958/968

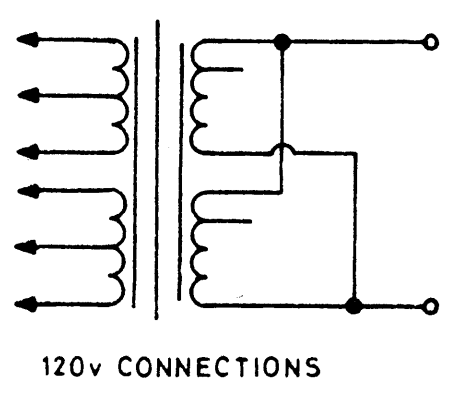
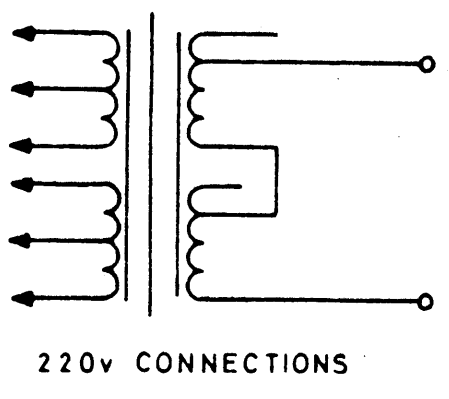
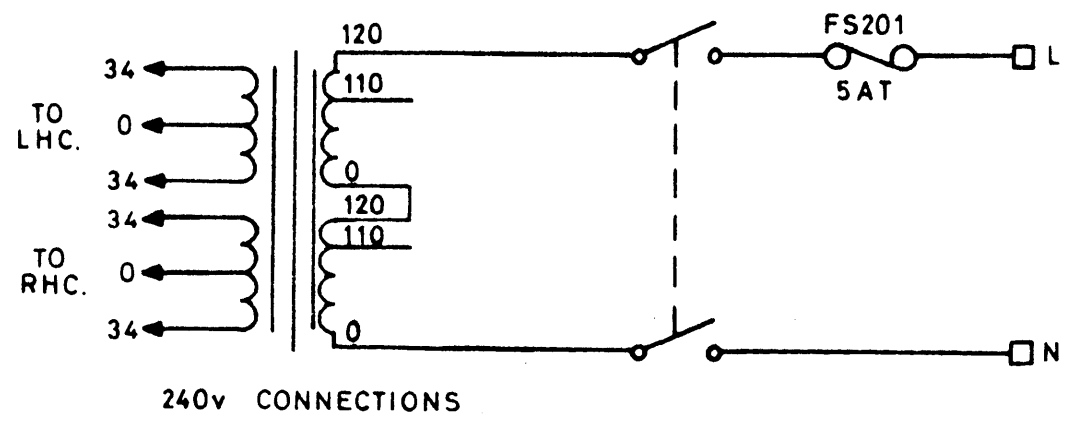
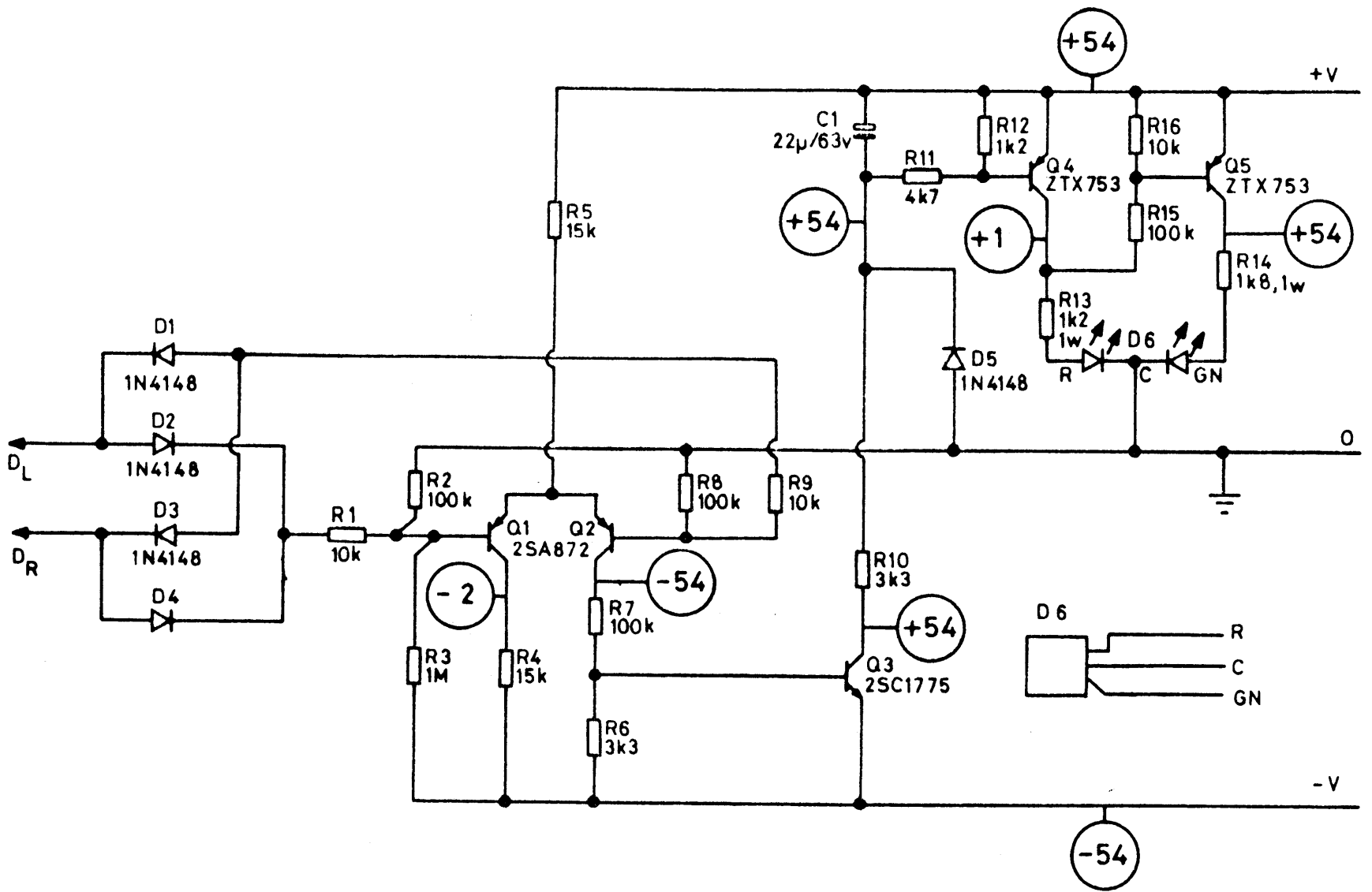
A & R CAMBRIDGE LTD

SA200 POWER AMPLIFIER

SA200 CIRCUIT DIAGRAM
 POWER AMPLIFIER BOARD

□ 1% tolerance components

September 1982 A.C.H.



A & R CAMBRIDGE
S200 POWER AMPLIFIER
 SA200/CLIP 1 CIRCUIT
 DIAGRAM AND MAINS
 TRANSFORMER WIRING.
 OVERLOAD INDICATOR
 September 1982 A.C.H.