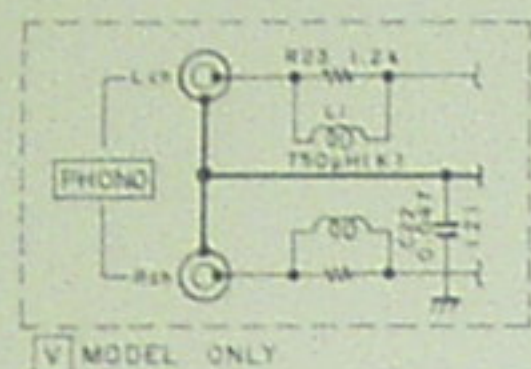
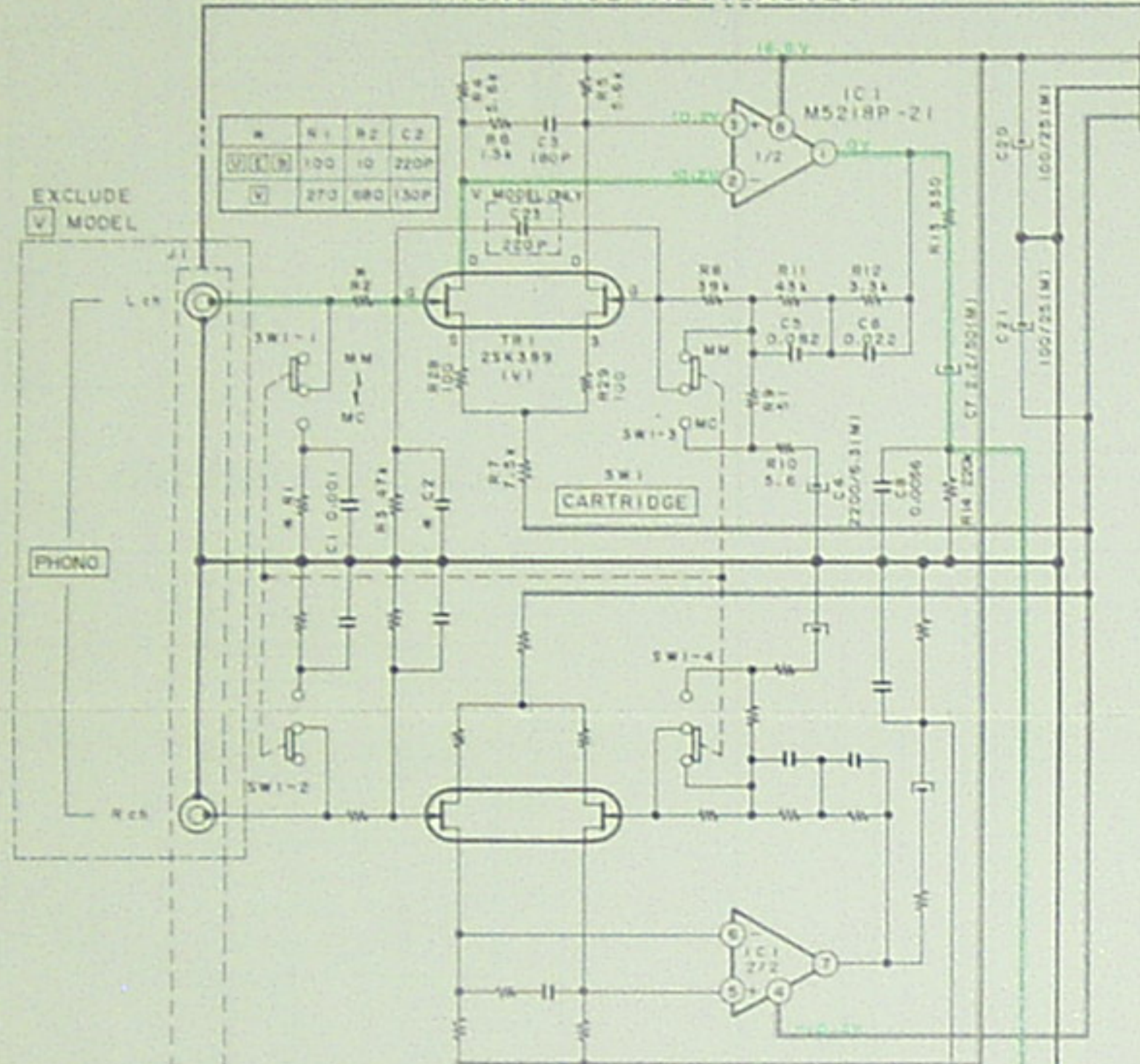


AM-52



V MODEL ONLY

PHONO PCB A2052A502C

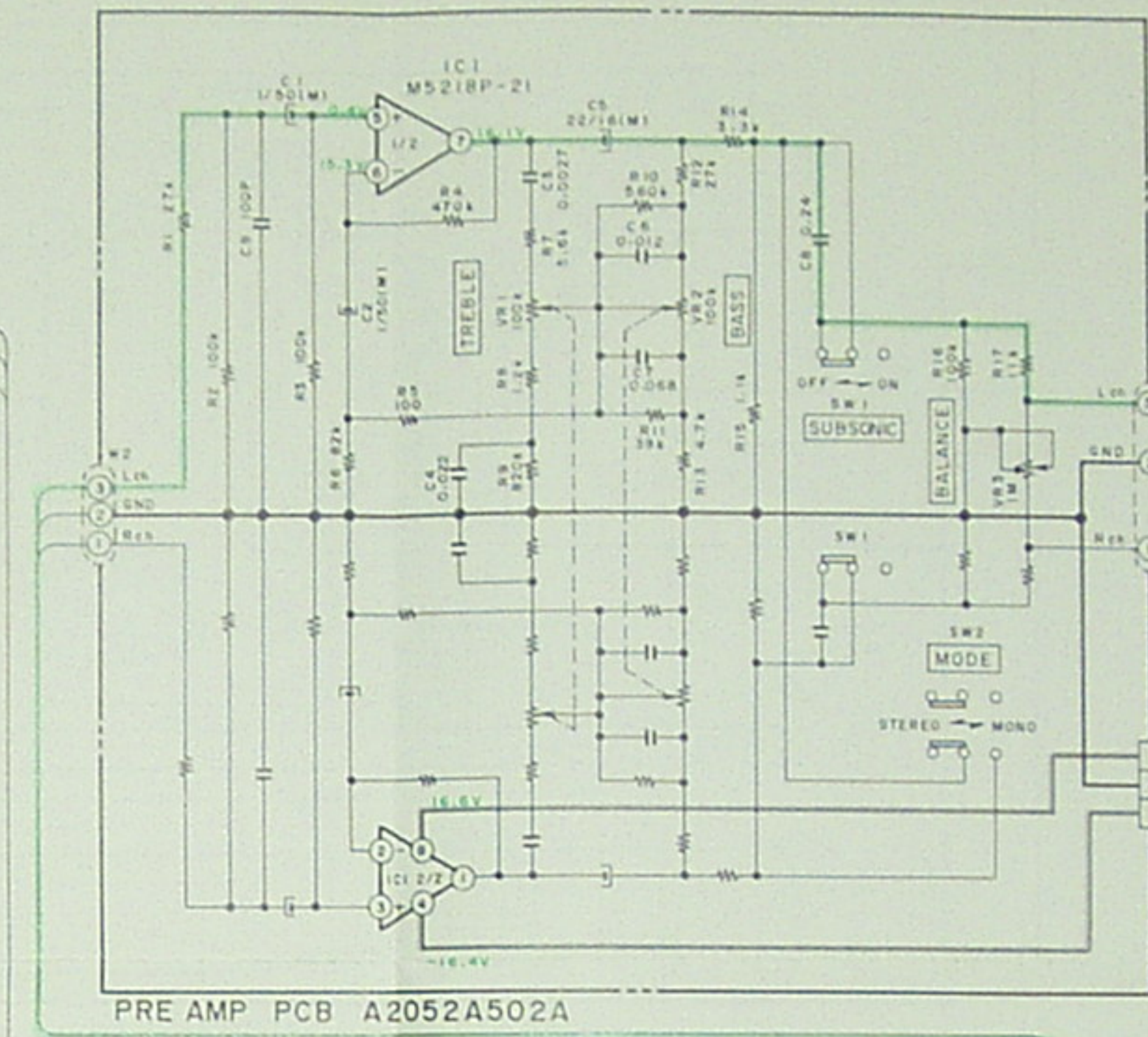


EXCLUDE V MODEL

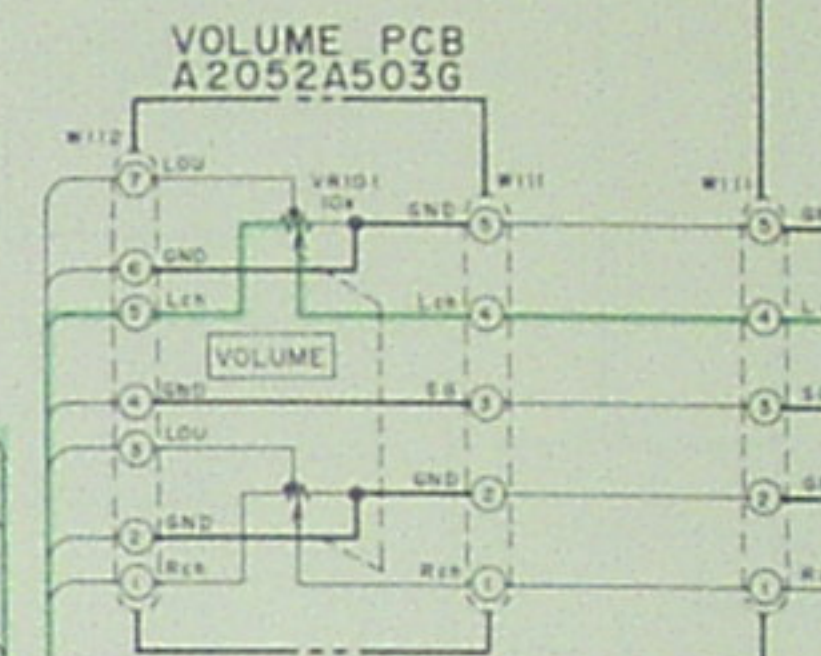
V MODEL ONLY

EXCLUDE V MODEL

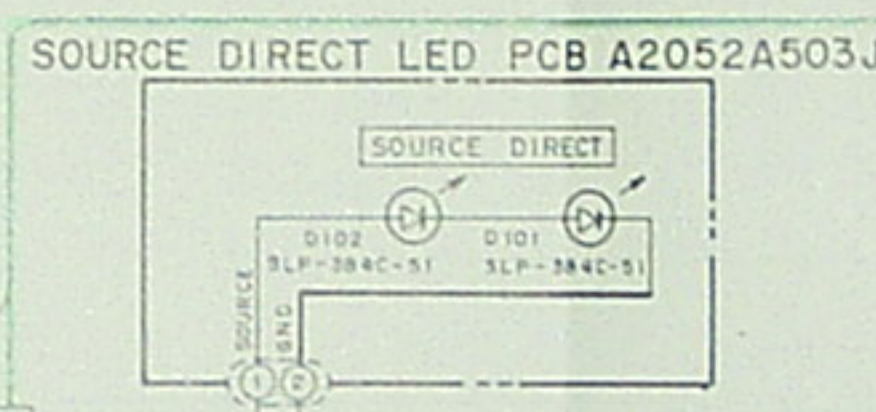
V MODEL ONLY



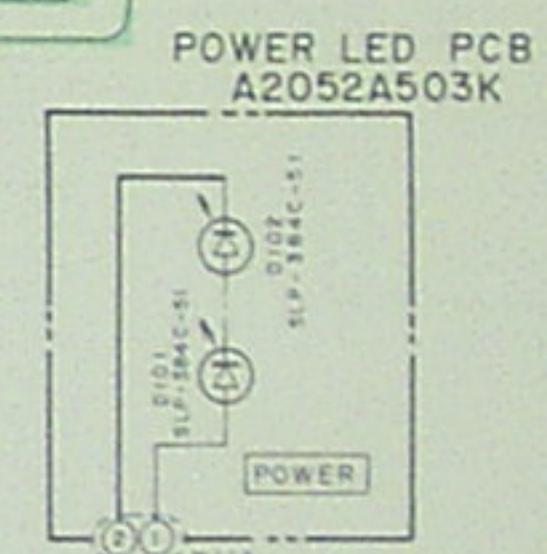
PRE AMP PCB A2052A502A



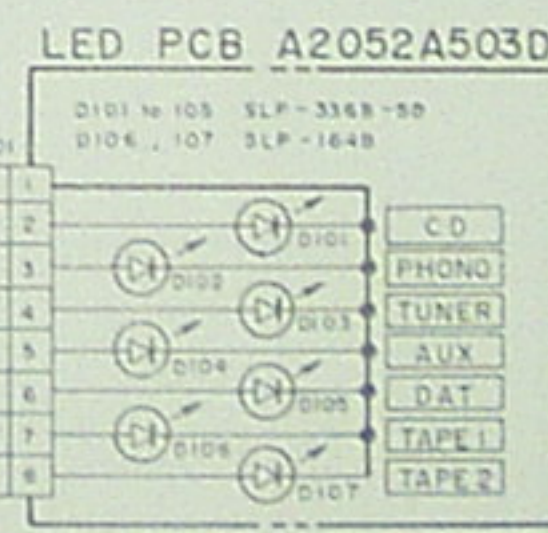
VOLUME PCB A2052A503G



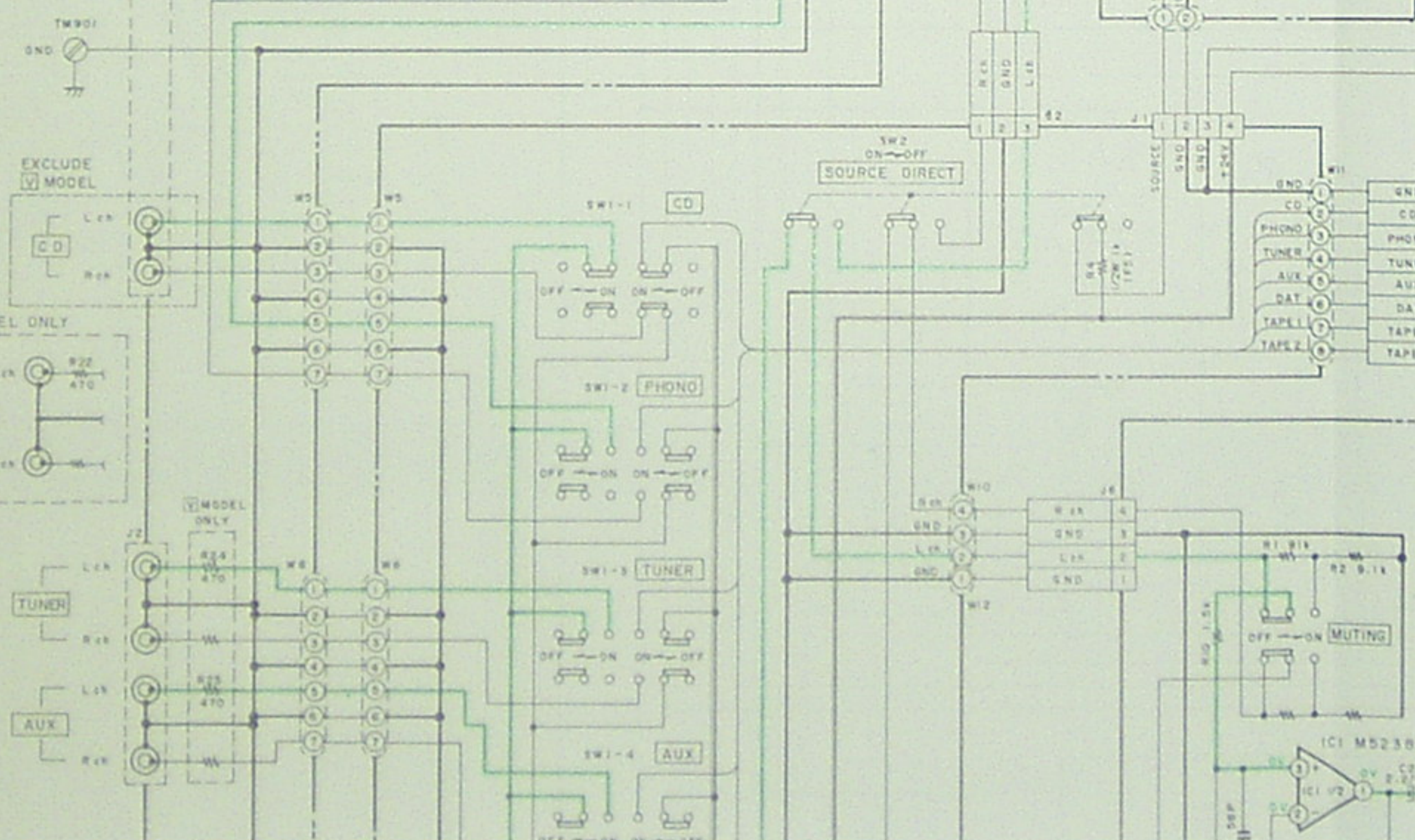
SOURCE DIRECT LED PCB A2052A503J



POWER LED PCB A2052A503K



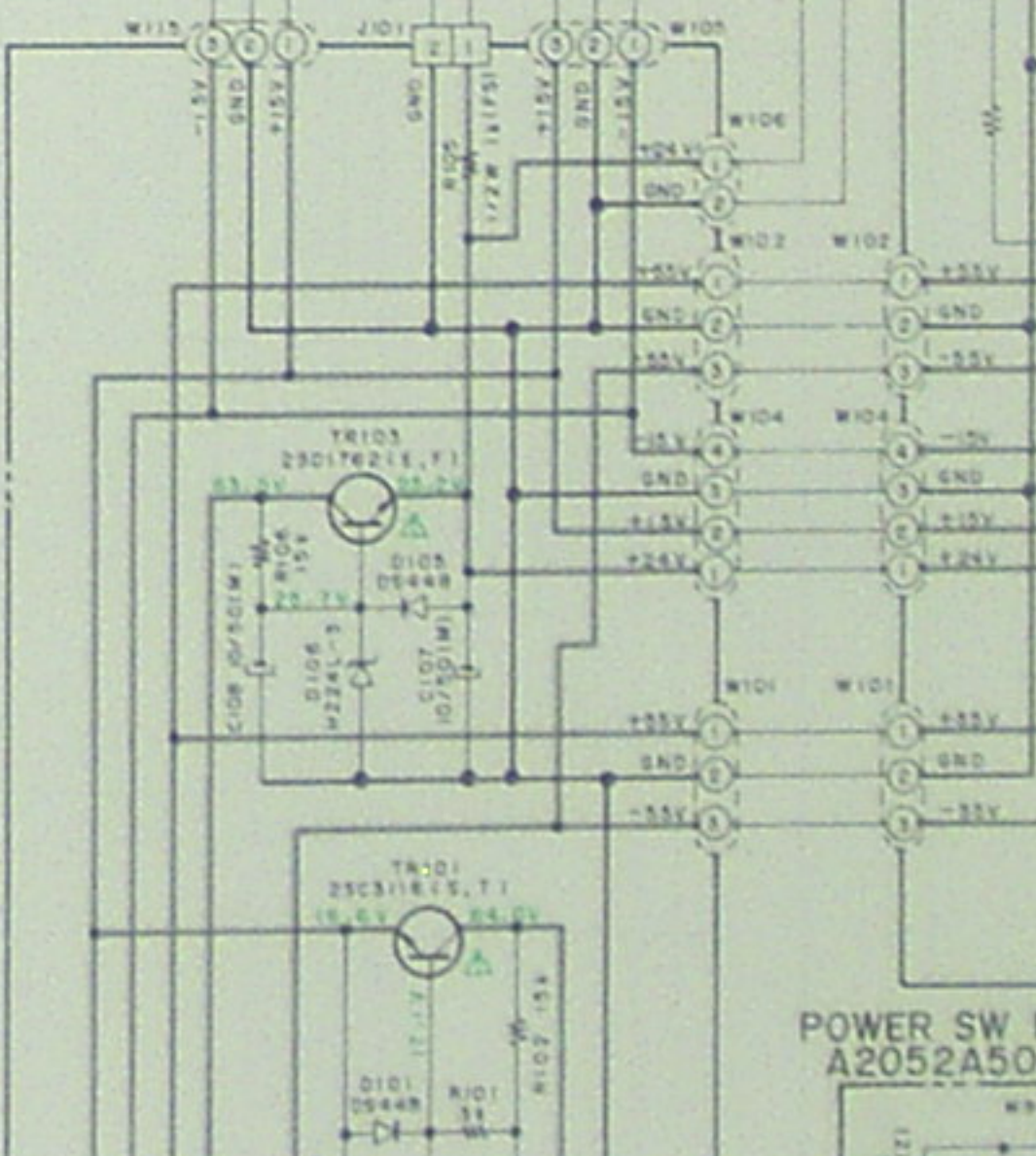
LED PCB A2052A503D



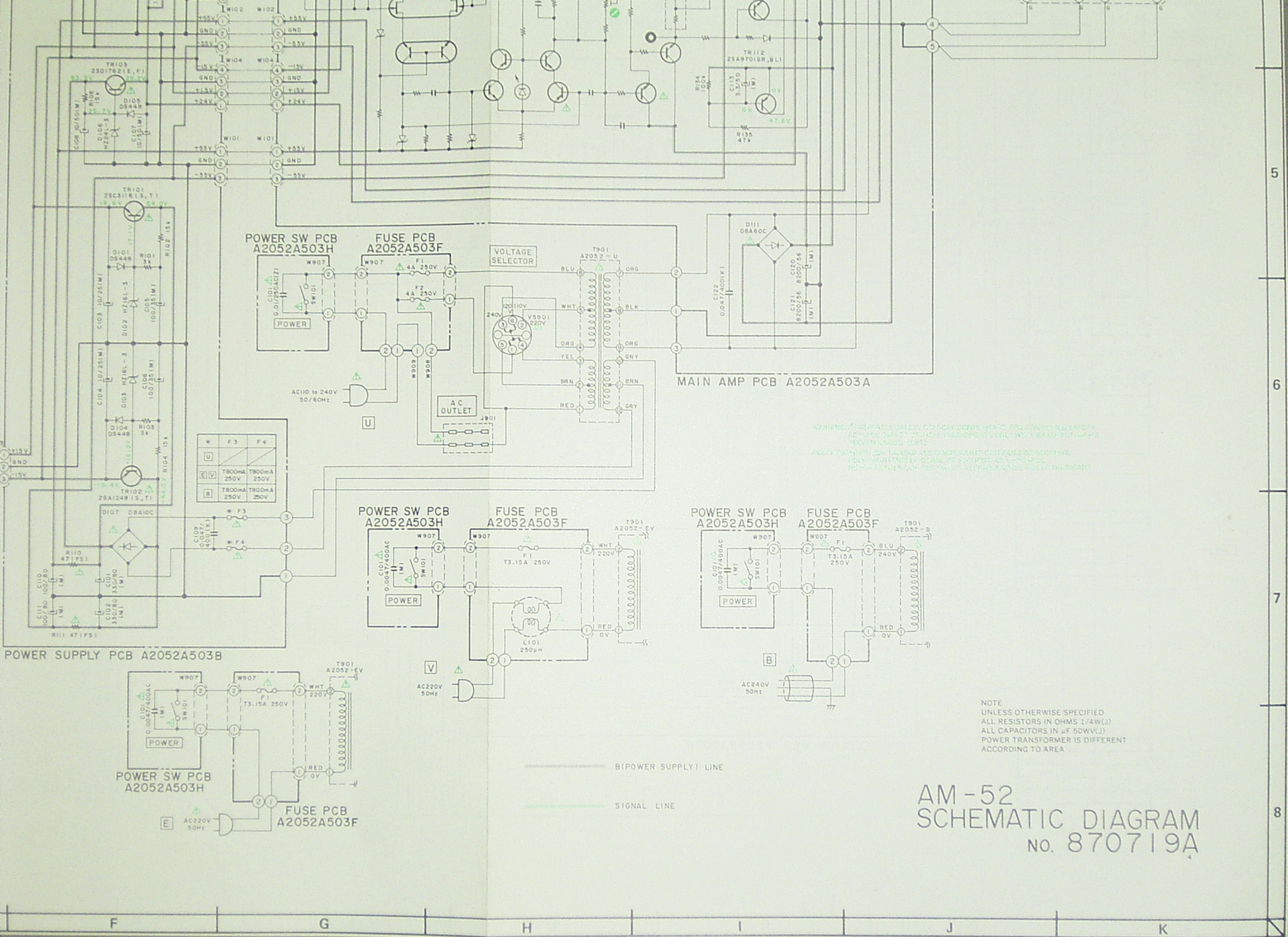
EXCLUDE V MODEL

V MODEL ONLY

V MODEL ONLY



POWER SW PCB A2052A503



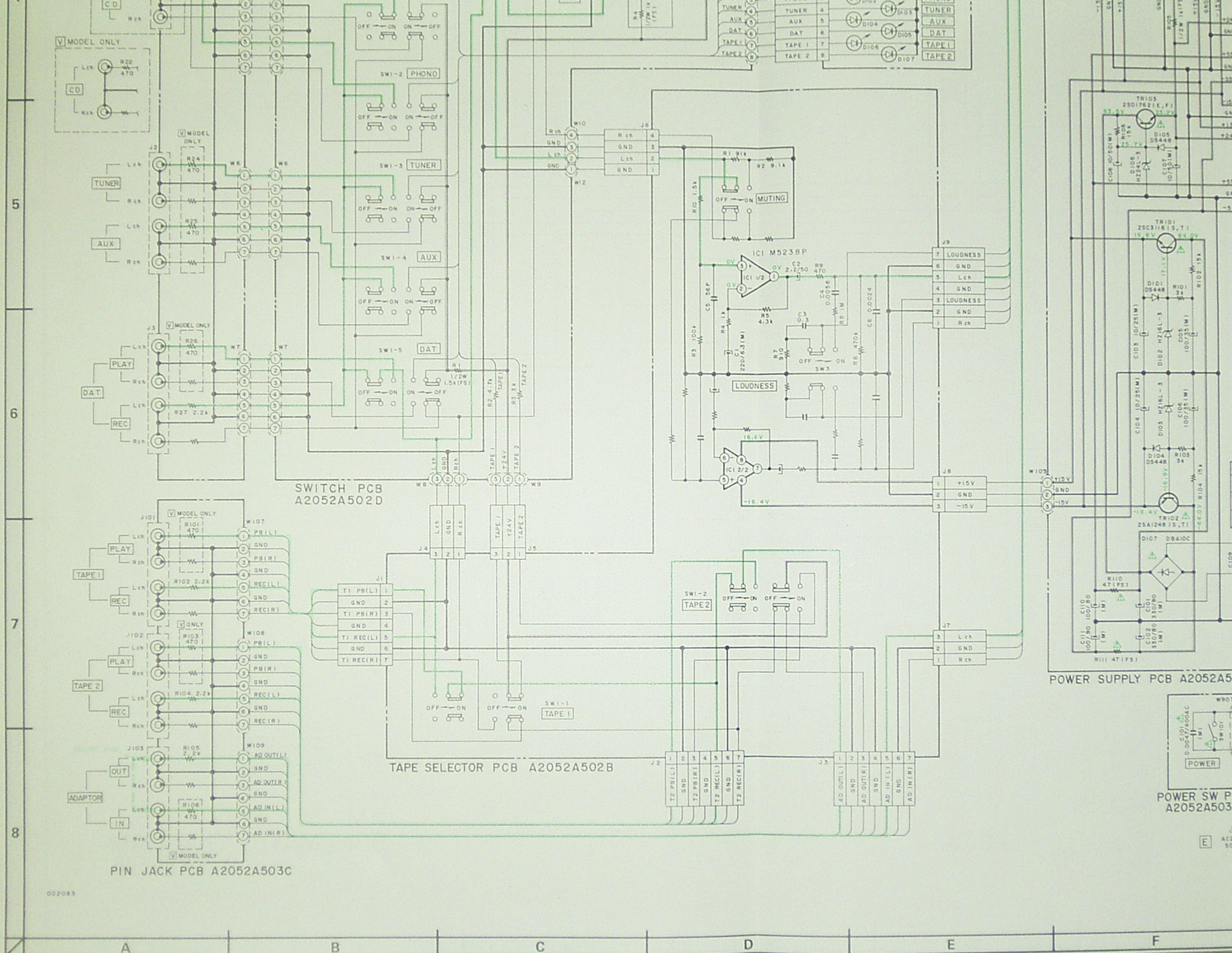
	F3	F4
U		
V	T800mA 250V	T800mA 250V
B	T800mA 250V	T800mA 250V

WARNING: ALWAYS SAFETY OFF AND COMPONENTS FOR CONTINUED SAFETY.  
 REPAIRS MUST BE DONE BY QUALIFIED PERSONNEL WITH APPROPRIATE  
 APPROVED TOOLS.

ALSO, ALWAYS SAFETY OFF AND COMPONENTS FOR CONTINUED SAFETY.  
 POWER SUPPLY IS OFF AND SAFETY OFF TO PREVENT  
 REPAIRS MUST BE DONE BY QUALIFIED PERSONNEL WITH APPROPRIATE  
 APPROVED TOOLS.

NOTE  
 UNLESS OTHERWISE SPECIFIED  
 ALL RESISTORS IN OHMS 1/4W(J)  
 ALL CAPACITORS IN  $\mu$ F 50WV(J)  
 POWER TRANSFORMER IS DIFFERENT  
 ACCORDING TO AREA

# AM-52 SCHEMATIC DIAGRAM No. 870719A

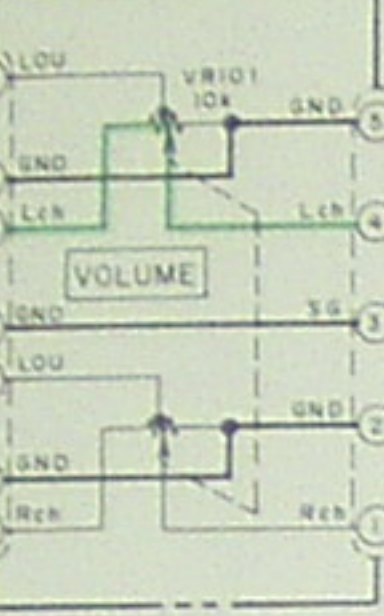


002093

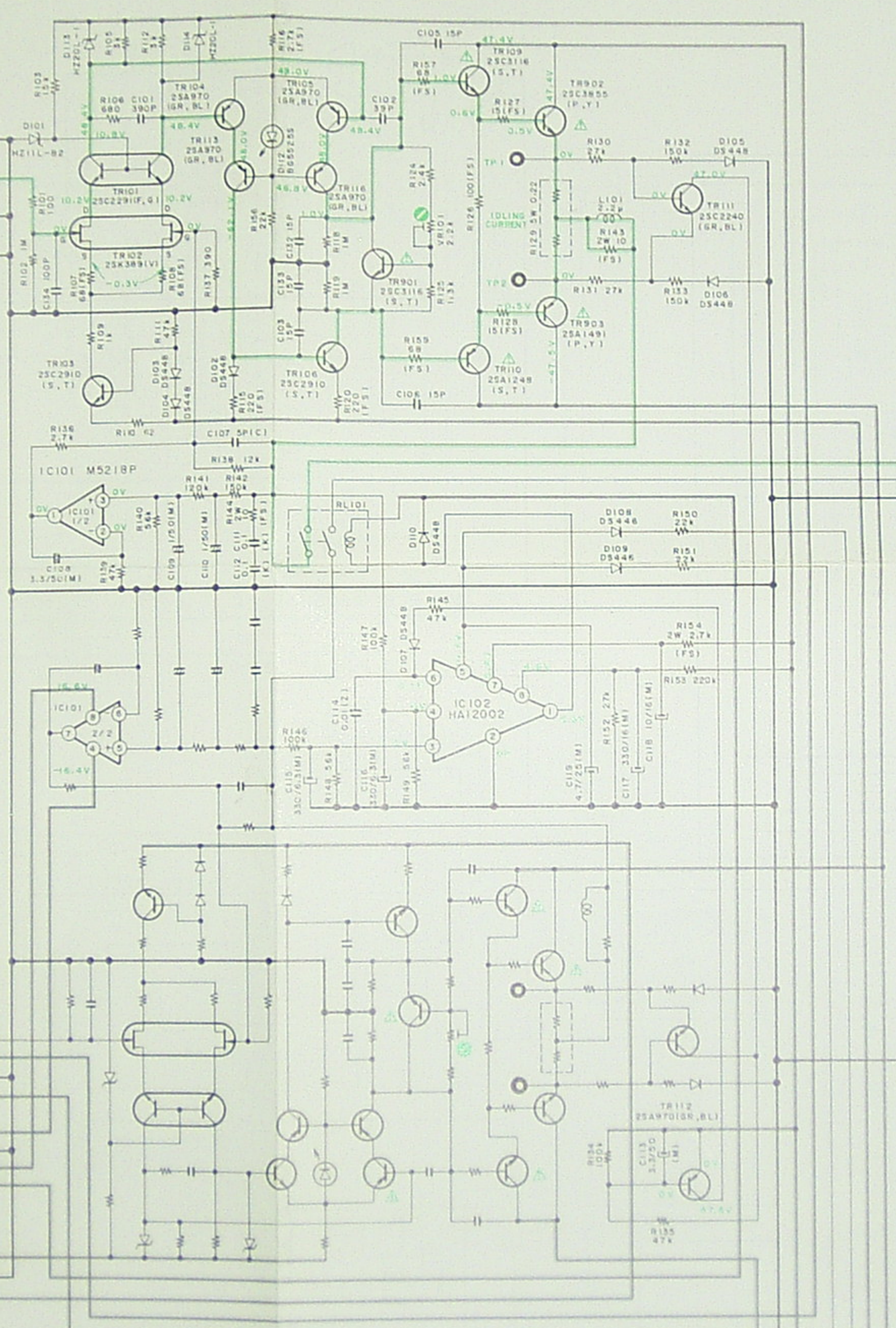
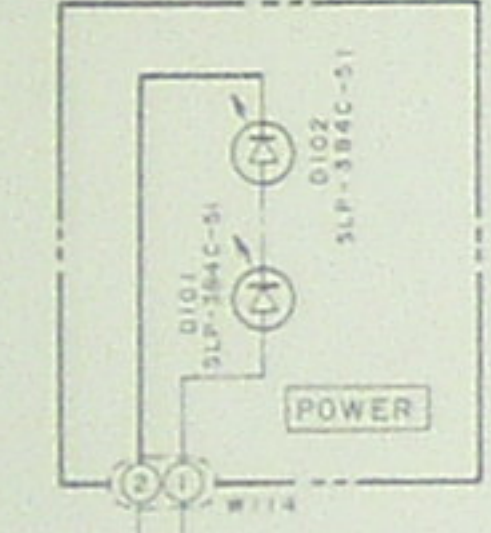
POWER SW P  
A2052A503

E

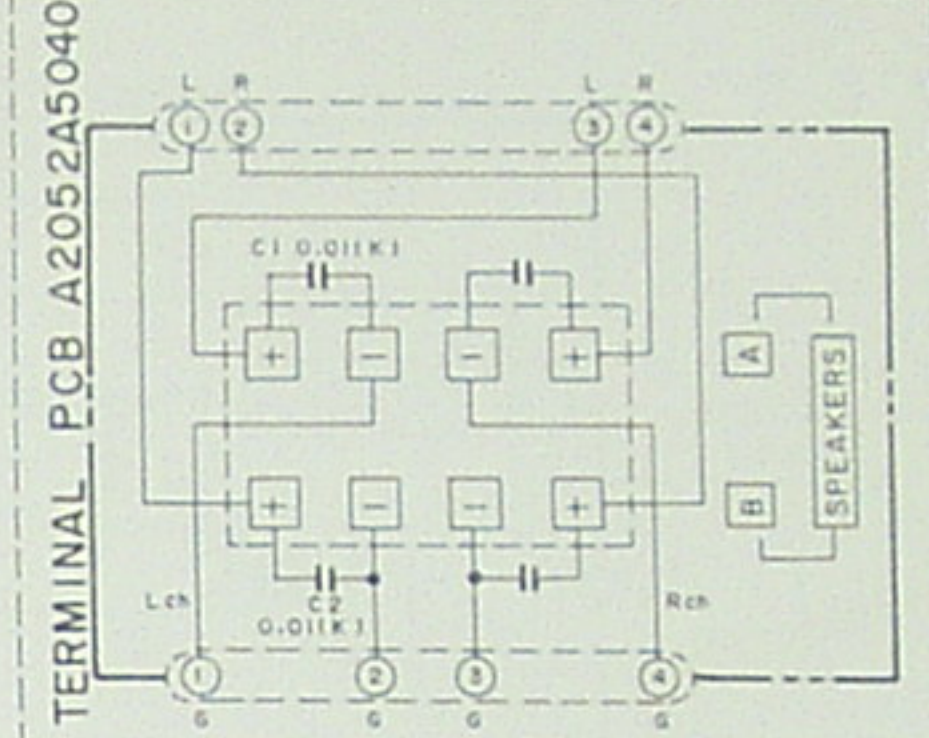
VOLUME PCB  
A2052A503G



POWER LED PCB  
A2052A503K



MODELS



PHONE PCB A2052A503E

