

SERVICE MANUAL

RADIO RECEIVER

This Service Manual is the "Revision Publishing" and replaces "Simple Manual" (S/M Code No. 09-008-349-0T1).

SPECIFICATIONS

Power source	DC 4.5 V using three R6 (size AA) batteries AC house current using the AC adaptor Aiwa AC-D302
Output	160 mW (EIAJ)
Speaker	50 mm, 8 ohms
Frequency range	FM: 87.5 – 108 MHz AM: 530 – 1,605 kHz
Antennas	FM wire antenna Ferrite bar antenna for AM
Battery life (EIAJ 10 mW)	using manganese batteries (R6P) Approx. 34 hours for AM reception Approx. 30 hours for FM reception using alkaline batteries (LR6) Approx. 68 hours for AM reception Approx. 60 hours for FM reception
Maximum outside dimensions (W × H × D)	102 × 161 × 89 mm
Weight	Approx. 360 g (excluding batteries)

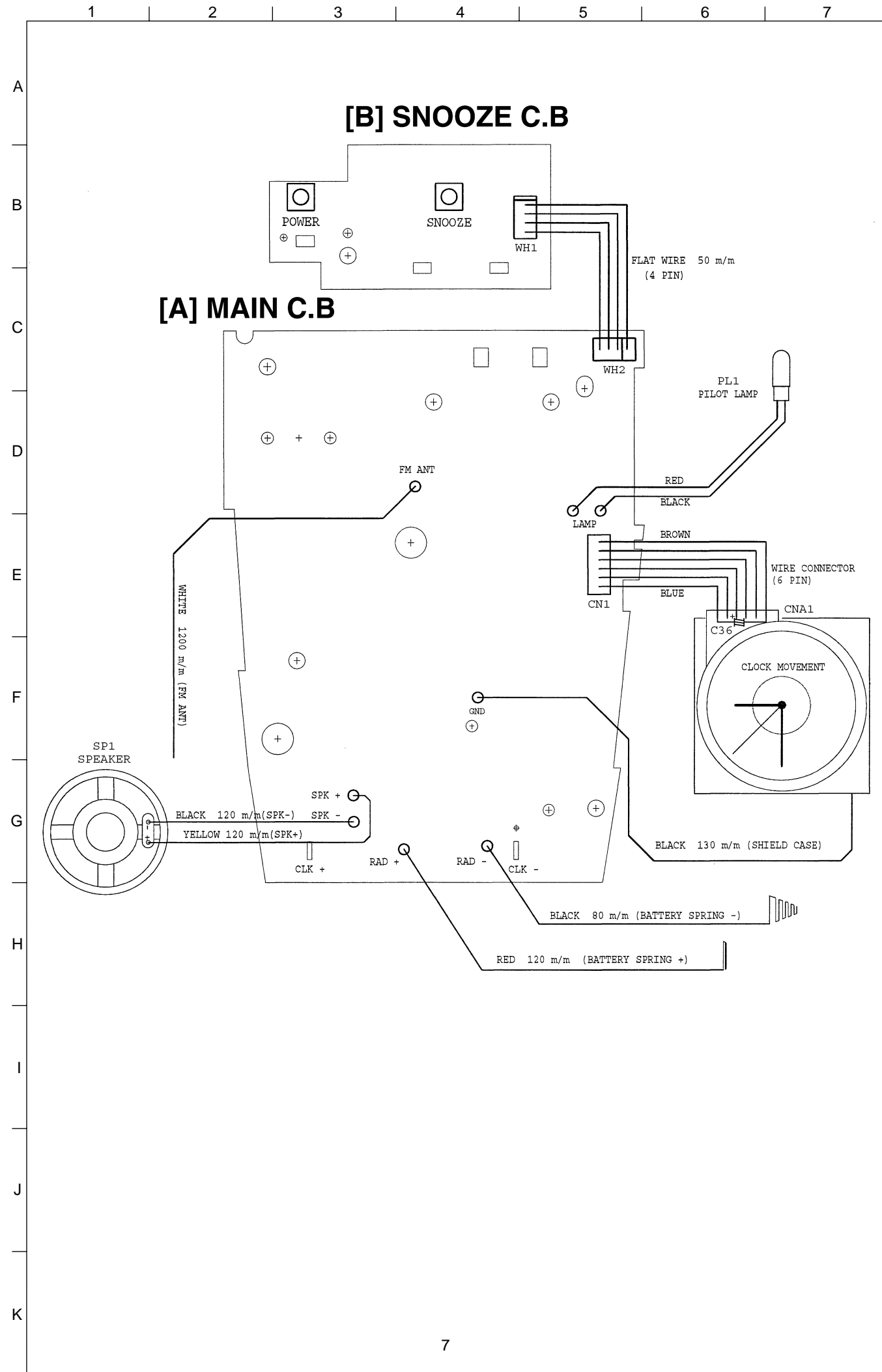
- Design and specifications are subject to change without notice.

ACCESSORIES/PACKAGE LIST

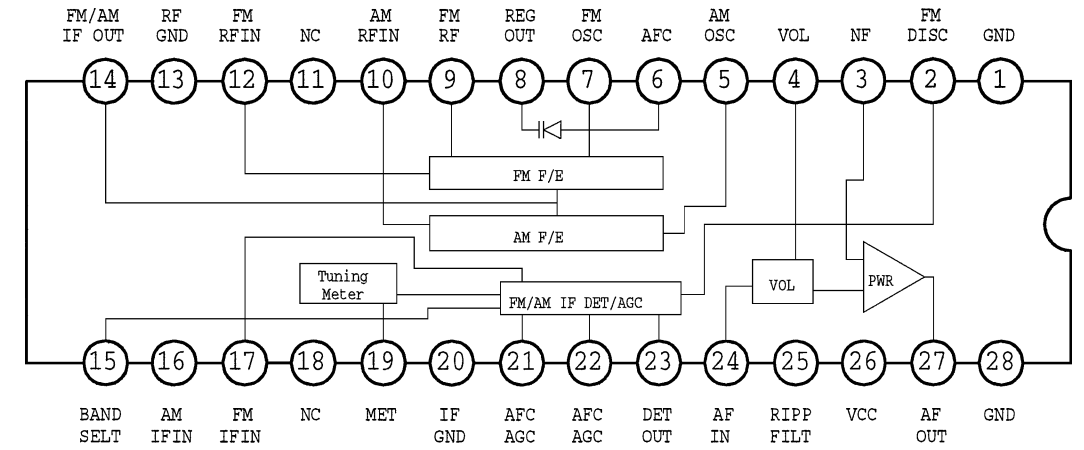
DESCRIPTIONで判断できない物は "REFERENCE NAME LIST" を参照してください。
If can't understand for Description please kindly refer to "REFERENCE NAME LIST".

REF. NO	PART NO.	KANRI NO.	DESCRIPTION
1	8A-RU8-902-010	IB, YJ (ECC)C	

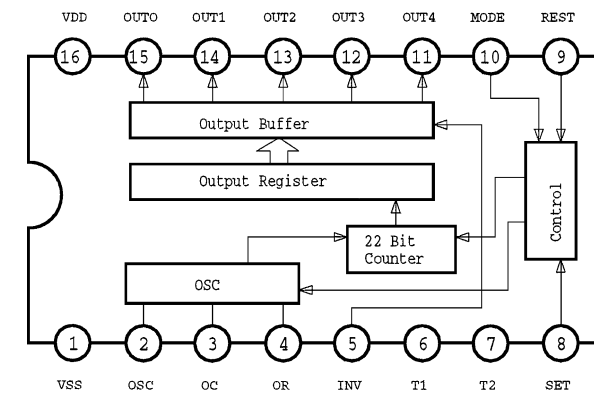
WIRING-2 (MAIN/SNOOZE 2/2)



IC BLOCK DIAGRAM
IC, KA22426D



IC, LC7730



TRANSISTOR ILLUSTRATION



ECB

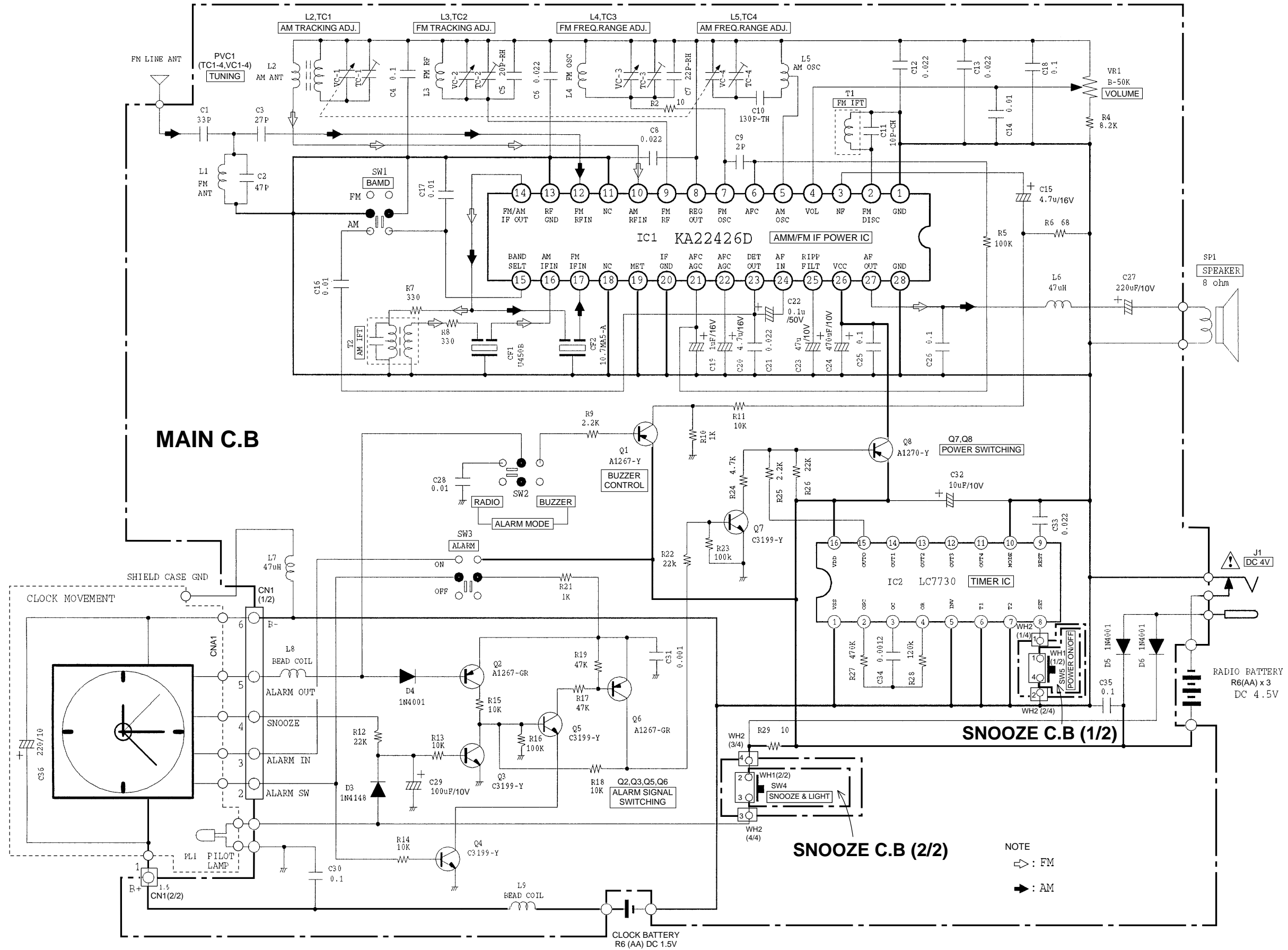
KTC3199



ECB

KTA1267
KTA1270
2SA1015

SCHEMATIC DIAGRAM



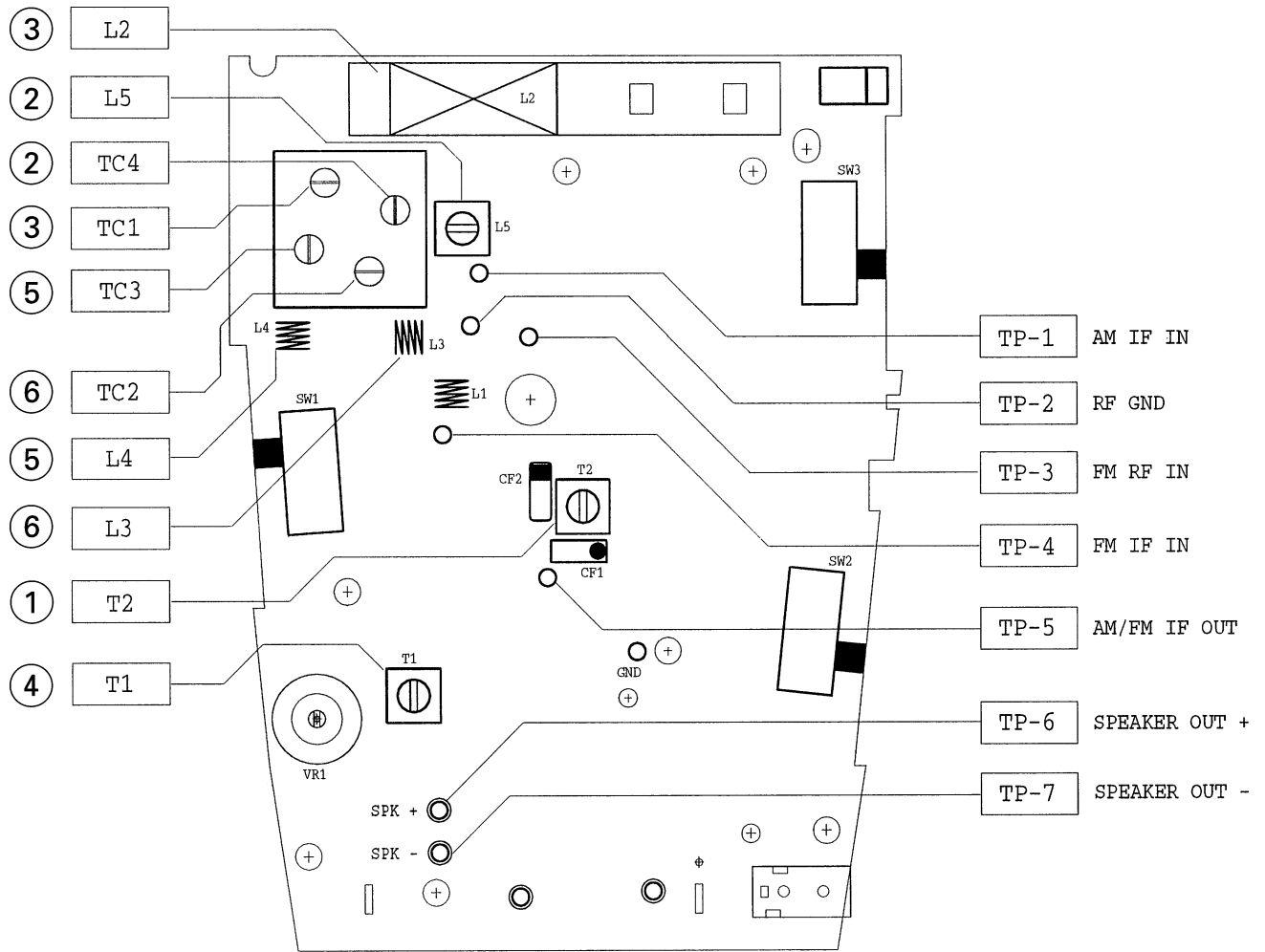
VOLTAGE CHART

Q1	Q2	Q3	Q4	Q5	Q6	Q7	Q8	IC1	IC2						
NO	E	C	B	E	C	B	E	C	B						
AL ON	4.5	1.5	3.9	AL ON	3.9	0.7	3.6	AL ON	0	0	0.6	AL ON	4.5	4.4	3.9
AL OFF	4.5	0	3.9	AL OFF	0	0	3.7	AL OFF	0	0	0.6	AL OFF	4.5	0.4	4.5
AL ON	0	0	0.7	AL ON	3.9	3.9	3.3	AL ON	0	0	0.6	AL ON	2.2	2.2	2.2
AL OFF	-	-	-	AL OFF	-	-	-	AL OFF	4.5	4.5	0	AL OFF	0	0	0

IC1	IC2
BAND	NO
AM	1
FM	2
	3
	4
	5
	6
	7
	8
	9
	10
	11
	12
	13
	14
	15
	16
	17
	18
	19
	20
	21
	22
	23
	24
	25
	26
	27
	28

IC2
NO
1
2
3
4
5
6
7
8
9
10
11
12
13
14
15
16

ELECTRICAL ADJUSTMENT



1. AM IF Adjustment

- Settings: • Test point: TP-2, TP-5
 • Adjustment location: T2

T2 450kHz

2. AM Frequency Range Adjustment

- Settings: • Test point: TP-2, TP-5
 • Adjustment location: L5, TC4

L5 515kHz

TC4 1650kHz

3. AM Tracking Adjustment

- Settings: • Test point: TP-6, TP-7
 • Adjustment location: L2, TC1

L2 600kHz waveform max.

TC1 1400kHz waveform max.

4. FM IF Adjustment

- Settings: • Test point: TP-2, TP-5
 • Adjustment location: T1

T1 10.7MHz

5. FM Frequency Range Adjustment

- Settings: • Test point: TP-2, TP-5
 • Adjustment location: L4, TC3

L4 87MHz

TC3 109MHz

6. FM Tracking Adjustment

- Settings: • Test point: TP-6, TP-7
 • Adjustment location: L3, TC2

L3 90MHz waveform max.

TC2 106MHz waveform max.

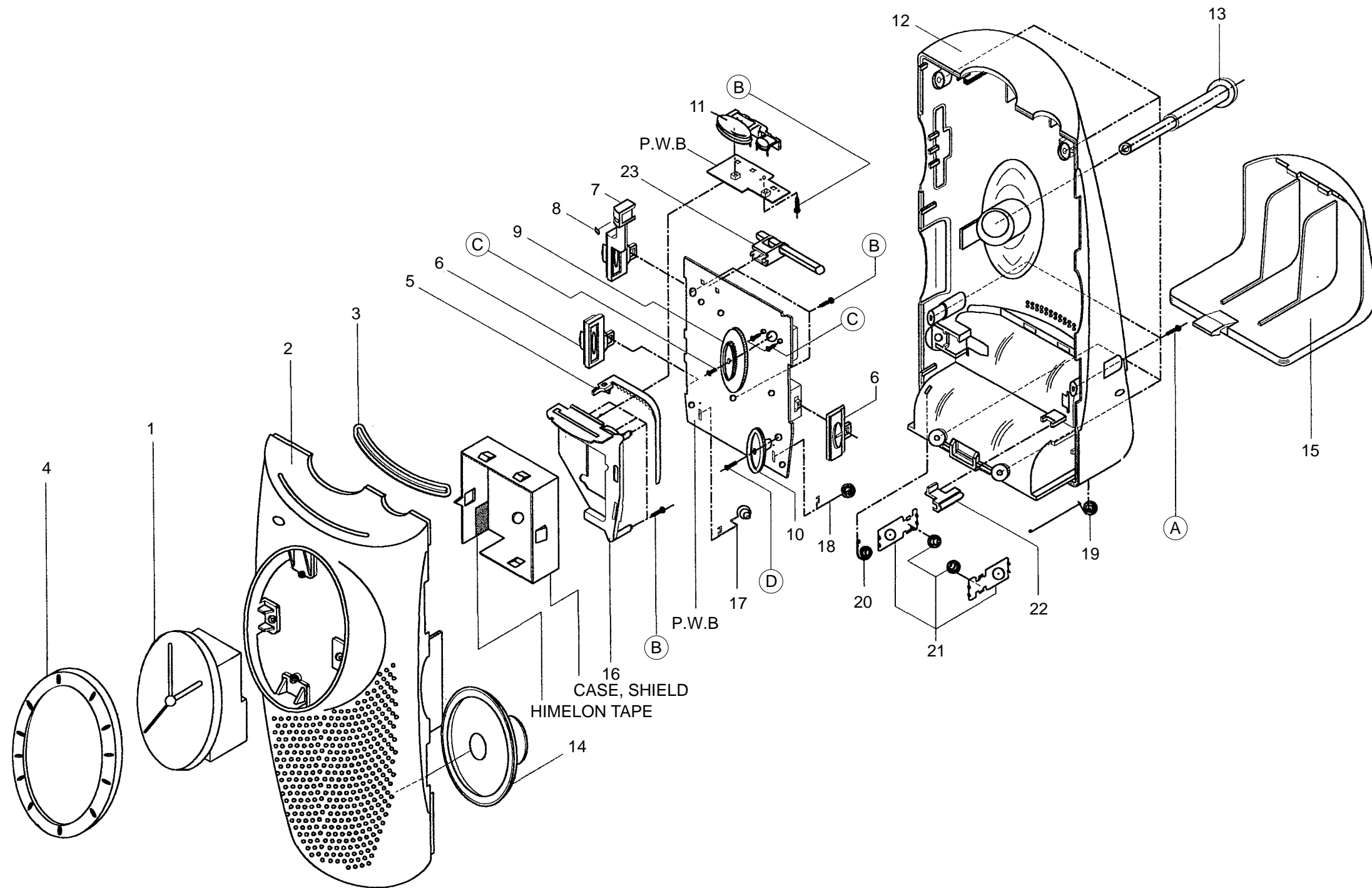
MECHANICAL PARTS LIST 1/1

DESCRIPTIONで判断できない物は "REFERENCE NAME LIST" を参照してください。
If can't understand for Description please kindly refer to "REFERENCE NAME LIST".

REF.NO	PART NO.	KANRI NO.	DESCRIPTION	REF.NO	PART NO.	KANRI NO.	DESCRIPTION
1	8A-RU8-015-010		PLATE,CLOCK FACE	16	8A-RU8-108-010		GUIDE, POINTER
2	8A-RU8-001-010		CABI,FRONT L	17	8A-RU8-104-010		BAT-CONTACT,- CLOCK
3	8A-RU8-009-010		LENS,DIAL	18	8A-RU8-103-010		BAT-CONTACT,+ CLOCK
4	8A-RU8-013-010		RING,ALARM	19	8A-RU8-105-010		BAT-CONTACT,+ RADIO
5	8A-RU8-011-010		POINTER,DIAL	20	8A-RU8-106-010		BAT-CONTACT,- RADIO
6	8A-RU8-006-010		KNOB,SL BAND L	21	8A-RU8-107-010		BAT-CONTACT,+,- RADIO
7	8A-RU8-008-010		KNOB,SL ALARM L	22	8A-RU8-109-010		HLDR,BAT-CONTACT
8	8A-RU8-014-010		PLATE,ALARM	23	8A-RU8-202-010		HLDR,ANT
9	8A-RU8-007-010		KNOB,RTRY TUN L	A	87-751-074-410		VT2+2.6-8 W/0 CUT
10	8A-RU8-005-010		KNOB,RTRY VOL L	B	87-751-073-410		TAPPING SCREW, VT2+2.6-6
11	8A-RU8-004-010		BTN,POW/SNOOZE	C	87-222-072-410		P+2.6-5 RED
12	8A-RU8-002-010		CABI,REAR L	D	87-221-024-410		P+1.7-5
13	8A-RU8-010-010		KNOB,RTRY TIME SET L				
14	8A-RUA-628-010		SPKR,57 8OHM 0.5W				
15	8A-RU8-003-010		DOOR,BATT L				

COLOR NAME TABLE

Basic color symbol	Color	Basic color symbol	Color	Basic color symbol	Color
B	Black	C	Cream	D	Orange
G	Green	H	Gray	L	Blue
LT	Transparent Blue	N	Gold	P	Pink
R	Red	S	Silver	ST	Titan Silver
T	Brown	V	Violet	W	White
WT	Transparent White	Y	Yellow	YT	Transparent Yellow
LM	Metallic Blue	LL	Light Blue	GT	Transparent Green
LD	Dark Blue	DT	Transparent Orange	GM	Metallic Green
YM	Metallic Yellow	DM	Metallic Orange	PT	Transparent Pink
LA	Aqua Blue				



REFERENCE NAME LIST

ELECTRICAL SECTION

DESCRIPTION	REFERENCE NAME
ANT	ANTENNAS
C-	CHIP
C-CAP	CAP, CHIP
C-CAP TN	CAP, CHIP TANTALUM
C-COIL	COIL, CHIP
C-DI	DIODE, CHIP
C-DIODE	DIODE, CHIP
C-FET	FET, CHIP
C-FOTR	FILTER, CHIP
C-JACK	JACK, CHIP
C-LED	LED, CHIP
C-RES	RES, CHIP
C-SFR	SFR, CHIP
C-SLIDE SW	SLIDE SWITCH, CHIP
C-SW	SWITCH, CHIP
C-TR	TRANSISTOR, CHIP
C-VR	VOLUME, CHIP
C-ZENER	ZENER, CHIP
CAP, CER	CAP, CERA-SOL
CAP, E	CAP, ELECT
CAP, M/F	CAP, FILM
CAP, TC	CAP, CERA-SOL
CAP, TC-U	CAP, CERA-SOL SS
CAP, TN	CAP, TANTALUM
CERA FIL	FILTER, CERAMIC
CF	FILTER, CERAMIC
DL	DELAY LINE
E/CAP	CAP, ELECT
FILT	FILTER
FLTR	FILTER
FUSE RES	RES, FUSE
MOT	MOTOR
P-DIODE	PHOTO DIODE
P-SNSR	PHOTO SENSER
P-TR	PHOTO TRANSISTOR
POLY VARI	VARIABLE CAPACITOR
PPCAP	CAP, PP
PT	POWER TRANSFORMER
PTR, RES	PTR, MELF
RC	REMOTE CONTROLLER
RES NF	RES, NON-FLAMMABLE
RESO	RESONATOR
SHLD	SHIELD
SOL	SOLENOID
SPKR	SPEAKER
SW, LVR	SWITCH, LEVER
SW, RTRY	SWITCH, ROTARY
SW, SL	SWITCH, SLIDE
TC CAP	CAP, CERA-SOL
THMS	THERMISTOR
TR	TRANSISTOR
TRIMMER	CAP, TRIMMER
TUN-CAP	VARIABLE CAPACITOR
VIB, CER	RESONATOR, CERAMIC
VIB, XTAL	RESONATOR, CRYSTAL
VR	VOLUME
ZENER	DIODE, ZENER

MECHANICAL SECTION

DESCRIPTION	REFERENCE NAME
ADHESHIVE	SHEET ADHESHIVE
AZ	AZIMUTH
BAR-ANT	BAR-ANTENNA
BAT	BATTERY
BATT	BATTERY
BRG	BEARING
BTN	BUTTON
CAB	CABINET
CASS	CASSETTE
CHAS	CHASSIS
CLR	COLLAR
CONT	CONTROL
CRSR	CURSOR
CU	CUSHION
CUSH	CUSHION
DIR	DIRECTION
DUBB	DUBBING
FL	FRONT LOADING
FLY-WHL	FLYWHEEL
FR	FRONT
FUN	FUNCTION
G-CU	G-CUSHION
HDL	HANDOL
HIMERON	CLOTH
HINGE, BAT	HINGE, BATTERY
HLDR	HOLDER
HT-SINK	HEAT SINK
IB	INSTRUCTION BOOKLET
IDLE	IDLER
IND, L-R	INDICATOR, L-R
KEY, CONT	KEY, CONTROL
KEY, PRGM	KEY, PROGRAM
KNOB, SL	KNOB, SLIDE
LBL	LABEL
LID, BATT	LID, BATTERY
LID, CASS	LID, CASSETTE
LVR	LEVER
P-SP	P-SPRING
PANEL, CONT	PANEL, CONTROL
PANEL, FR	PANEL, FRONT
PRGM	PROGRAM
PULLY, LOAD MO	PULLY, LOAD MOTOR
RBN	RIBBON
S-	SPECIAL
SEG	SEGMENT
SH	SHEET
SHLD-SH	SHIELD-SHEET
SL	SLIDE
SP	SPRING
SP-SCREW	SPECIAL-SCREW
SPACER, BAT	SPACER, BATTERY
SPR	SPRING
SPR-P	P-SPRING
SPR-PC-PUSH	P-SPRING, C-PUSH
T-SP	T-SPRING
TERM	TERMINAL
TRIG	TRIGGER
TUN	TUNING
VOL	VOLUME
W	WASHER
WHL	WHEEL
WORM-WHL	WORM-WHEEL

アイワ株式会社 〒110-8710 東京都台東区池之端1-2-11 ☎03(3827)3111 (代表)

AIWA CO.,LTD. 2-11, IKENOHATA 1-CHOME, TAITO-KU, TOKYO 110-8710, JAPAN TEL:03 (3827) 3111