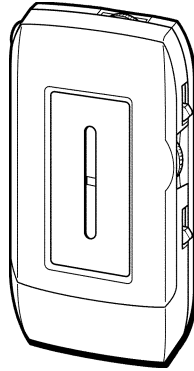




CR-LA33

YH1(S,L,P),
YJ1(S,L,P),
YHT1(S,L,P),
YL1(S),
YZ1(S,L)



SERVICE MANUAL

STEREO RADIO RECEIVER

This Service Manual is the "Revision Publishing" and replaces "Simple Manual"
(S/M Code No. 09-008-348-7T1).

aiwa

S/M Code No. 09-008-348-7R1

REVISION

DATA

SPECIFICATIONS

Frequency range	FM: 87.5 – 108 MHz AM: 530 – 1,710 kHz
Maximum output	7 mW + 7 mW (EIAJ 32 ohms)
Power source	DC 1.5 V using a size AAA (R03) battery
Output	Headphones jack (Stereo mini jack)
Maximum outside dimensions	40 (W) × 80 (H) × 15.5 (D)mm (1 5/8 × 3 1/4 × 5/8 in.) (excluding projecting parts and controls)
Weight	Approx. 38 g (1.3 oz.) (excluding battery)

- Design and specifications are subject to change without notice.

ACCESSORIES/PACKAGE LIST

DESCRIPTIONで判断できない物は "REFERENCE NAME LIST" を参照してください。
If can't understand for Description please kindly refer to "REFERENCE NAME LIST".

REF. NO	PART NO.	KANRI NO.	DESCRIPTION
1	8A-RCE-902-010	IB, YHJ(ECC)C<EXCEPT YZ1<S>, YZ1<L>, YL1<S>>	
1	8A-RCE-904-010	IB, YL(3L)C<YL1<S>>	
1	8A-RCE-906-010	IB, YZ(3L)C<YZ1<S>, YZ1<L>>	
1	8A-RCE-905-010	IB, YZ(6L)C<YZ1<S>, YZ1<L>>	
2	87-B30-198-010	HEADPHONE, HP-M032(T)<YH1<P>, YH1<P>, YJ1<P>>	
2	87-B30-240-010	HEADPHONE, HP-M035<YZ1<S>, YH1<S>, YHT1<S>, YJ1<S>, YL1<S>>	
2	87-B30-300-010	HEADPHONE, HP-M035 LT<YZ1<L>, YH1<L>, YHT1<L>, YJ1<L>>	

ELECTRICAL MAIN PARTS LIST

DESCRIPTIONで判断できない物は "REFERENCE NAME LIST" を参照してください。
If can't understand for Description please kindly refer to "REFERENCE NAME LIST".

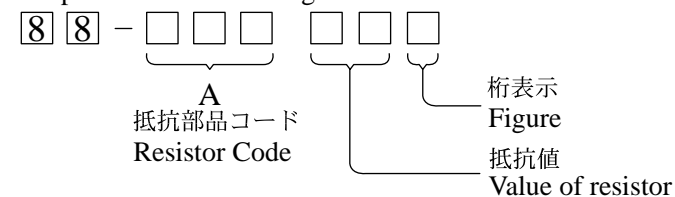
REF. NO	PART NO.	KANRI NO.	DESCRIPTION	REF. NO	PART NO.	KANRI NO.	DESCRIPTION
IC				C26	87-010-829-080		CAP, U 0.047-16
	87-001-815-080	IC,TA7371AF		C27	87-010-830-080		C-CAP,U 0.068-16F
	87-017-789-080	IC,TA2022FN		C28	87-010-830-080		C-CAP,U 0.068-16F
	87-A21-126-040	C-IC,NJM2096M		C29	87-010-787-080		CAP, U 0.022-25
				C30	87-012-186-080		C-CAP,U 39P-50 CH
TRANSISTOR				C31	87-010-263-080		C-CAP,U 0.1-16ZF
	89-503-025-080	CHIP FET,2SK302 GR		C32	87-010-787-080		CAP, U 0.022-25
	87-A30-314-040	C-TR,BC847CT116		C33	87-A10-263-080		C-CAP,U 0.1-16ZF
	87-A30-486-040	C-TR,BC857B		C35	87-A10-263-010		C-CAP,U 0.1-16V
	89-327-143-080	TR,2SC2714 (0.1W)					<EXCEPT YZ1<S>,YZ1<L>>
DIODE				C103	87-012-278-080		C-CAP,U 2200P-50 B
	87-A40-826-040	CHIP DIODE DA221TL		C104	87-012-278-080		C-CAP,U 2200P-50 B
		<EXCEPT YZ1<S>,YZ1<L>>		C107	87-010-587-010		C-CAP 100-2
				C108	87-010-587-010		C-CAP 100-2
				C109	87-010-587-010		C-CAP 100-2
				C111	87-010-587-010		C-CAP 100-2
MAIN C.B				CF1	8A-RCE-618-010		FLTR,SFT10.7 MS23H-A
	8A-RCE-613-010	FLTR,GFMB5 88-108		CF2	87-A91-087-010		FLTR,PFS 450A6 B
BPF1	87-012-178-080	C-CAP,U 18P-50 CH		CF3	8A-RCE-617-010		FLTR,CDA10.7 MG18-A
C1	87-012-178-080	C-CAP,U 18P-50 CH		JK1	8A-RCE-611-010		JACK,3.5 ST W/O SW
C2	87-010-787-080	CAP, U 0.022-25		L1	8A-RCE-604-010		COIL,FM RF
C6	87-010-787-080	CAP, U 0.022-25		L2	8A-RCE-606-010		COIL,FM OSC EX
C7	87-010-787-080	CAP, U 0.022-25		L3	8A-RCE-607-010		BAR-ANT,ARC-14
				L4	8A-RCE-601-010		COIL,AM OSC
				L5	87-005-910-080		C-COIL,S 22UH M LK2125
C9	87-012-191-080	CHIP CAP 68 PF		L6	87-005-894-080		C-COIL,S 1.0UH K
C10	87-010-403-010	CAP,E 3.3-50 SME		L7	87-005-894-080		C-COIL,S 1.0UH K
C12	87-012-271-080	CAP, U 560P-50		L8	87-005-894-080		C-COIL,S 1.0UH K
C13	87-012-287-080	C-CAP,U 0.015-25 F		PVC1	8A-RCE-616-010		TUN-CAP,20P-82P-160P 16
C14	87-A10-263-080	C-CAP,U 0.1-16ZF		SW1	8A-RCE-609-010		SW,2-2
				SW2	8A-RCE-610-010		SW,2-3
C16	87-A10-263-080	C-CAP,U 0.1-16ZF		T1	8A-RCE-603-010		COIL,FM IFT
C17	87-012-273-080	C-CAP,U 820P-50 B		T2	8A-RCE-602-010		COIL,AM IFT
C18	87-010-829-080	CAP, U 0.047-16		VR1	8A-RCE-608-010		VR,RTRY 50KX2 H
C19	87-A10-263-080	C-CAP,U 0.1-16ZF		VR2	8A-RCE-614-010		SFR,10K
C20	87-010-787-080	CAP, U 0.022-25					
C21	87-010-787-080	CAP, U 0.022-25					
C22	87-010-503-010	CAP,E 220-4 GAS					
C23	87-010-787-080	CAP, U 0.022-25					
C24	87-A10-031-080	C-CAP,U 0.01-25 KB					
C25	87-010-829-080	CAP, U 0.047-16					

- Regarding connectors, they are not stocked as they are not the initial order items. The connectors are available after they are supplied from connector manufacturers upon the order is received.

チップ抵抗部品コード/CHIP RESISTOR PART CODE

チップ抵抗部品コードの成り立ち

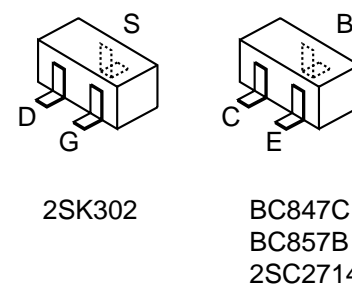
Chip Resistor Part Coding



チップ抵抗 Chip resistor

容量 Wattage	種類 Type	許容誤差 Tolerance	記号 Symbol	寸法/Dimensions (mm)			抵抗コード : A Resistor Code : A	
				外形/Form	L	W		t
1/16W	1005	± 5%	CJ		1.0	0.5	0.35	104
1/16W	1608	± 5%	CJ		1.6	0.8	0.45	108
1/10W	2125	± 5%	CJ		2	1.25	0.45	118
1/8W	3216	± 5%	CJ		3.2	1.6	0.55	128

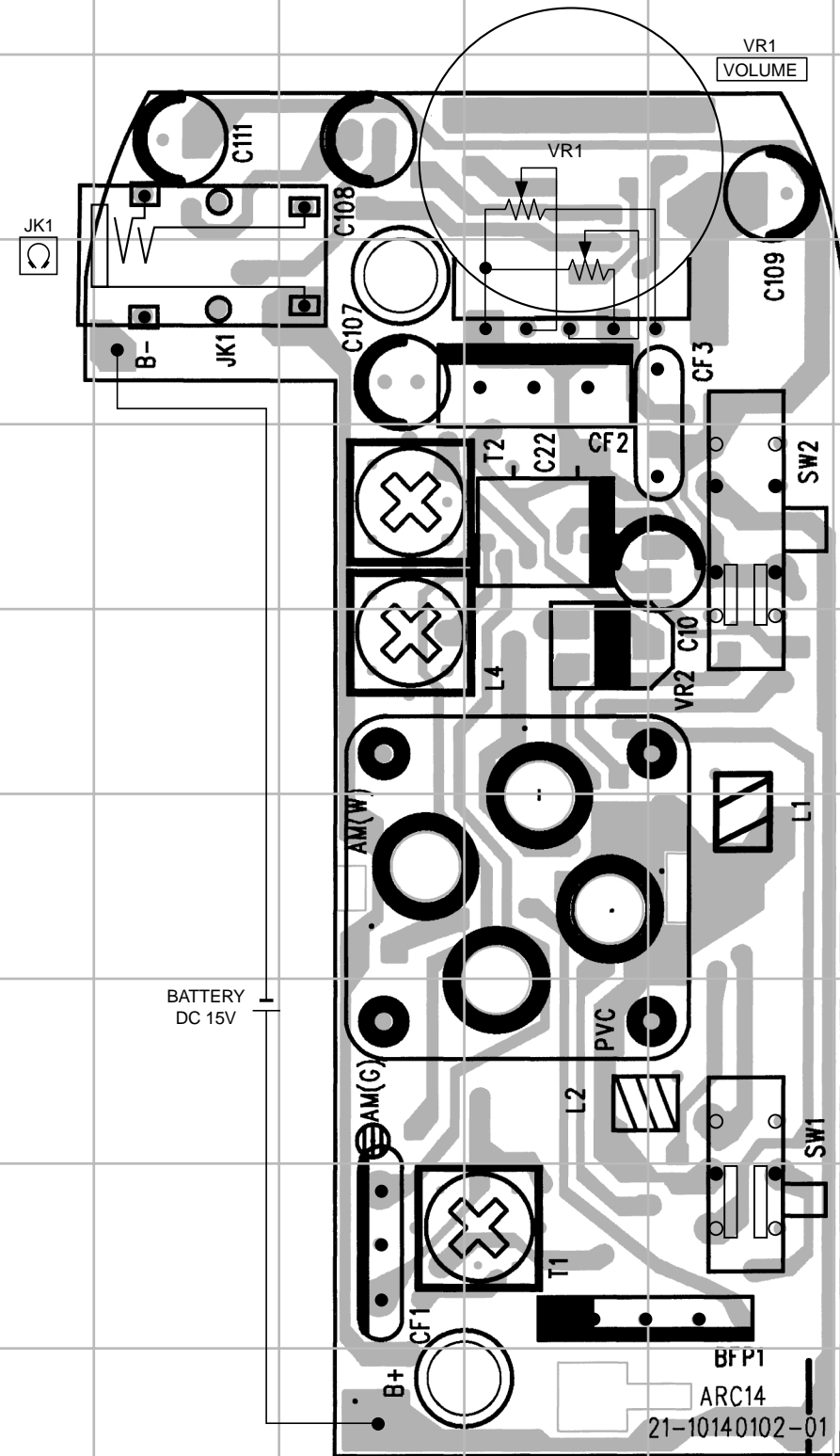
TRANSISTOR ILLUSTRATION



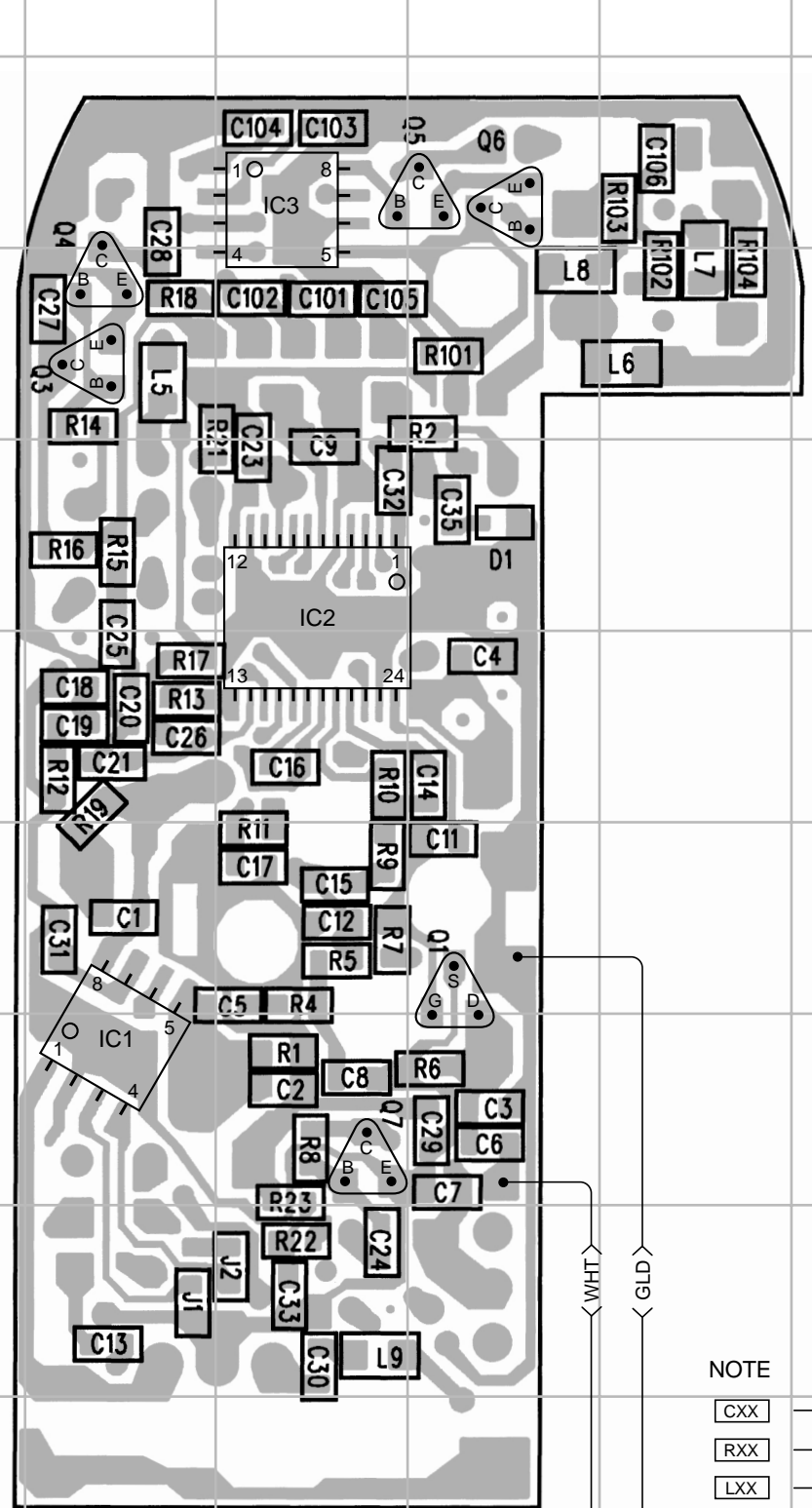
2SK302

BC847C
BC857B
2SC2714

MAIN C.B (COMPONENT SIDE)



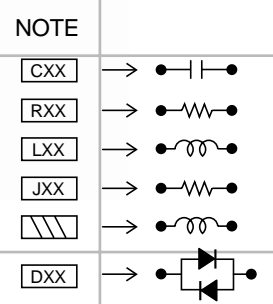
MAIN C.B (CONDUCTOR SIDE)

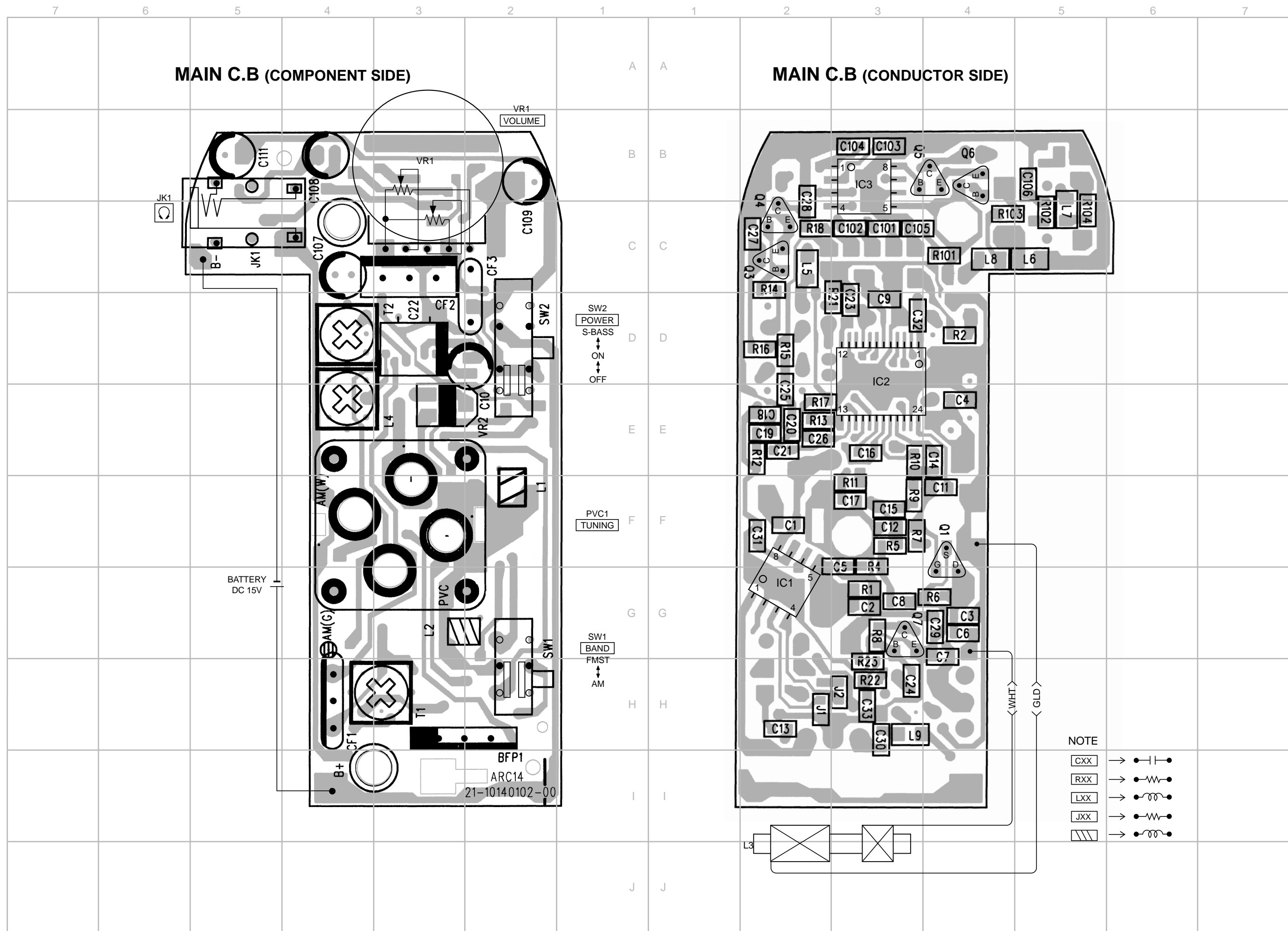


SW2
POWER
S-BASS
ON
OFF

PVC1
TUNING

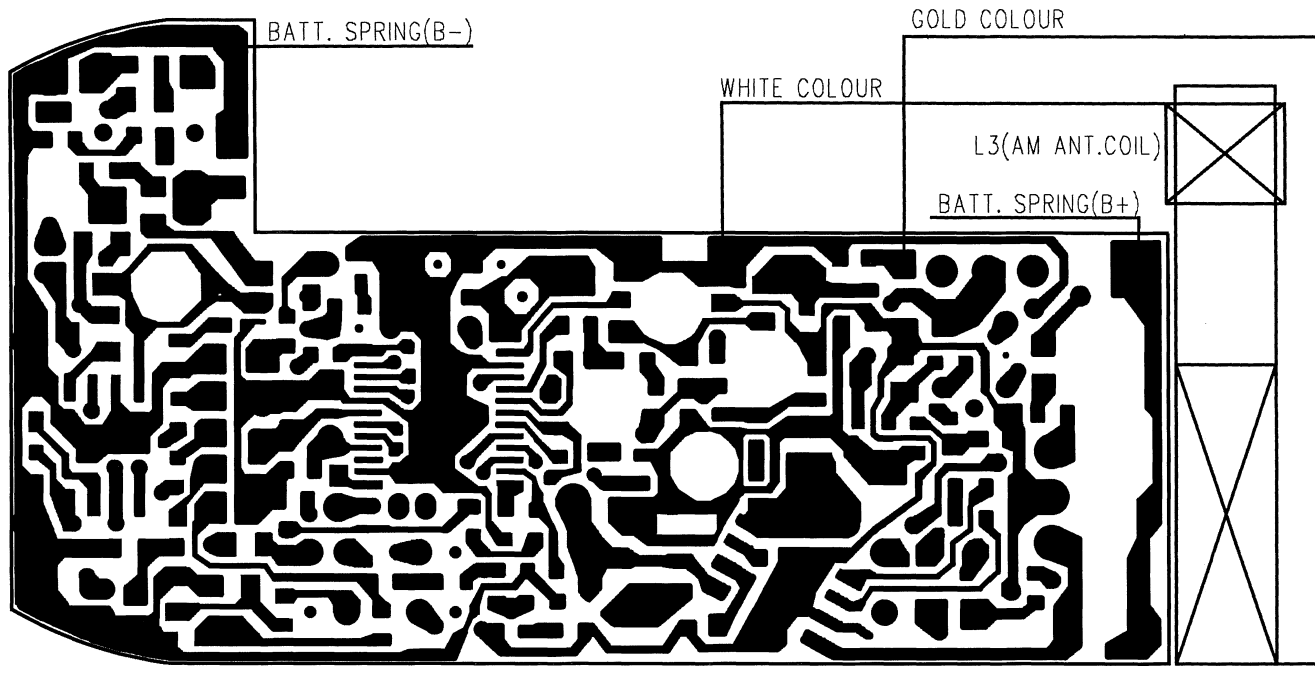
SW1
BAND
FMST
AM



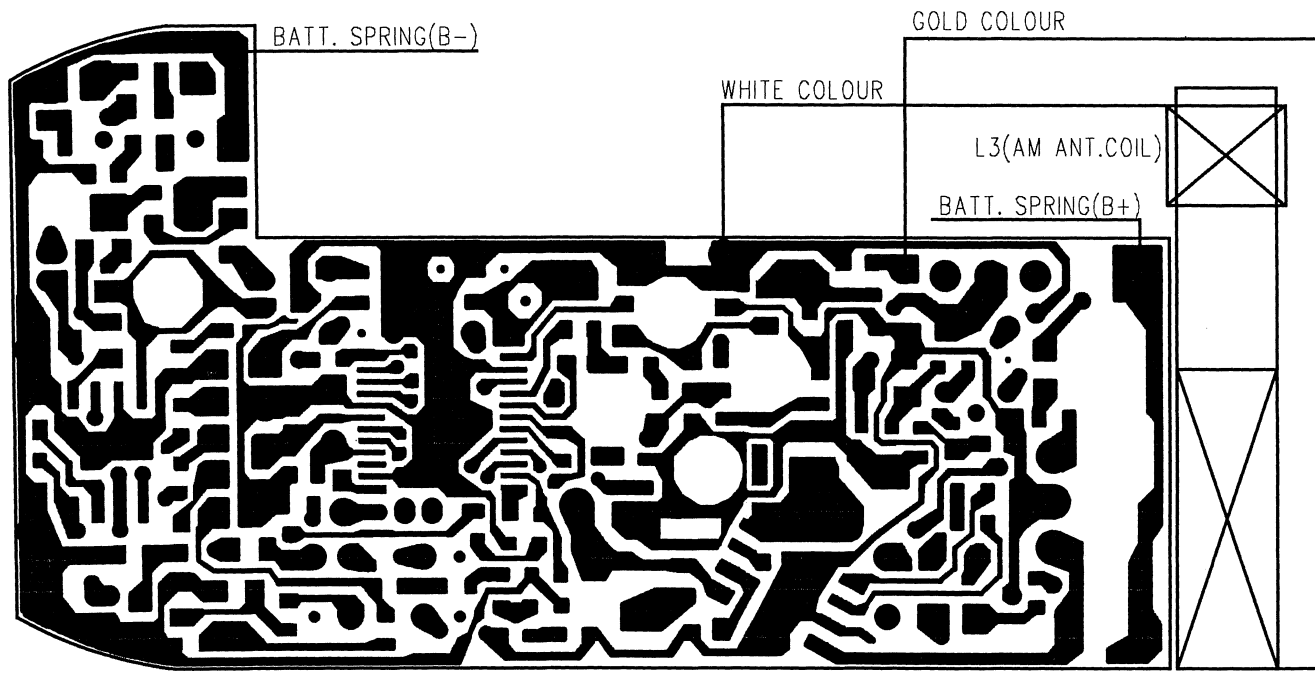


WIRING-3 (MAIN 2/2)

(EXCEPT YZ1)

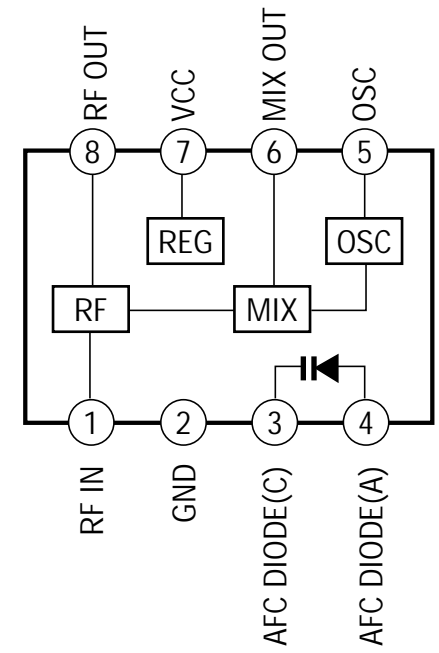


(YZ1)

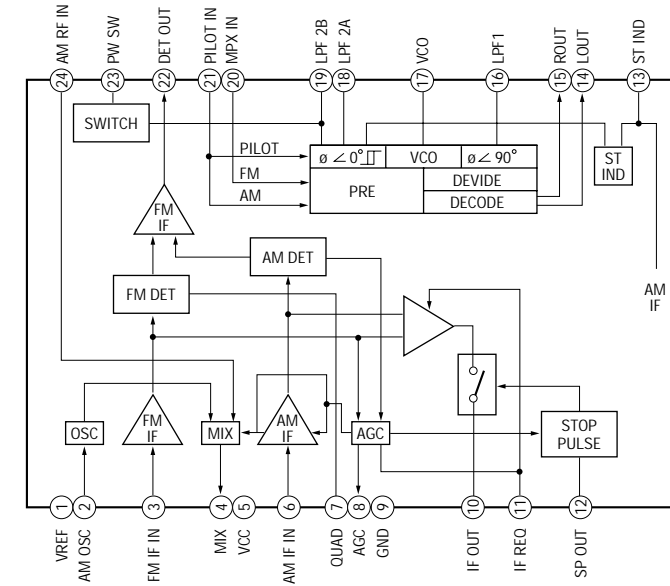


IC BLOCK DIAGRAM

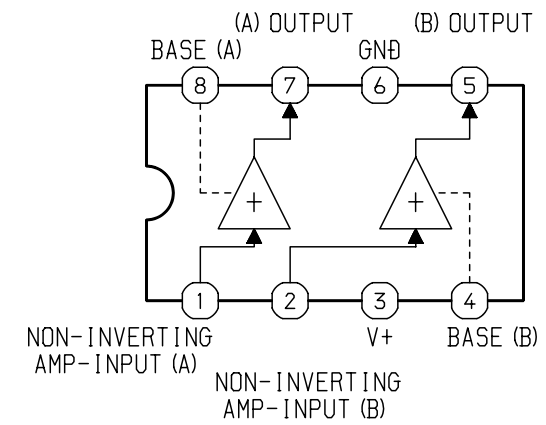
IC, TA7371AF



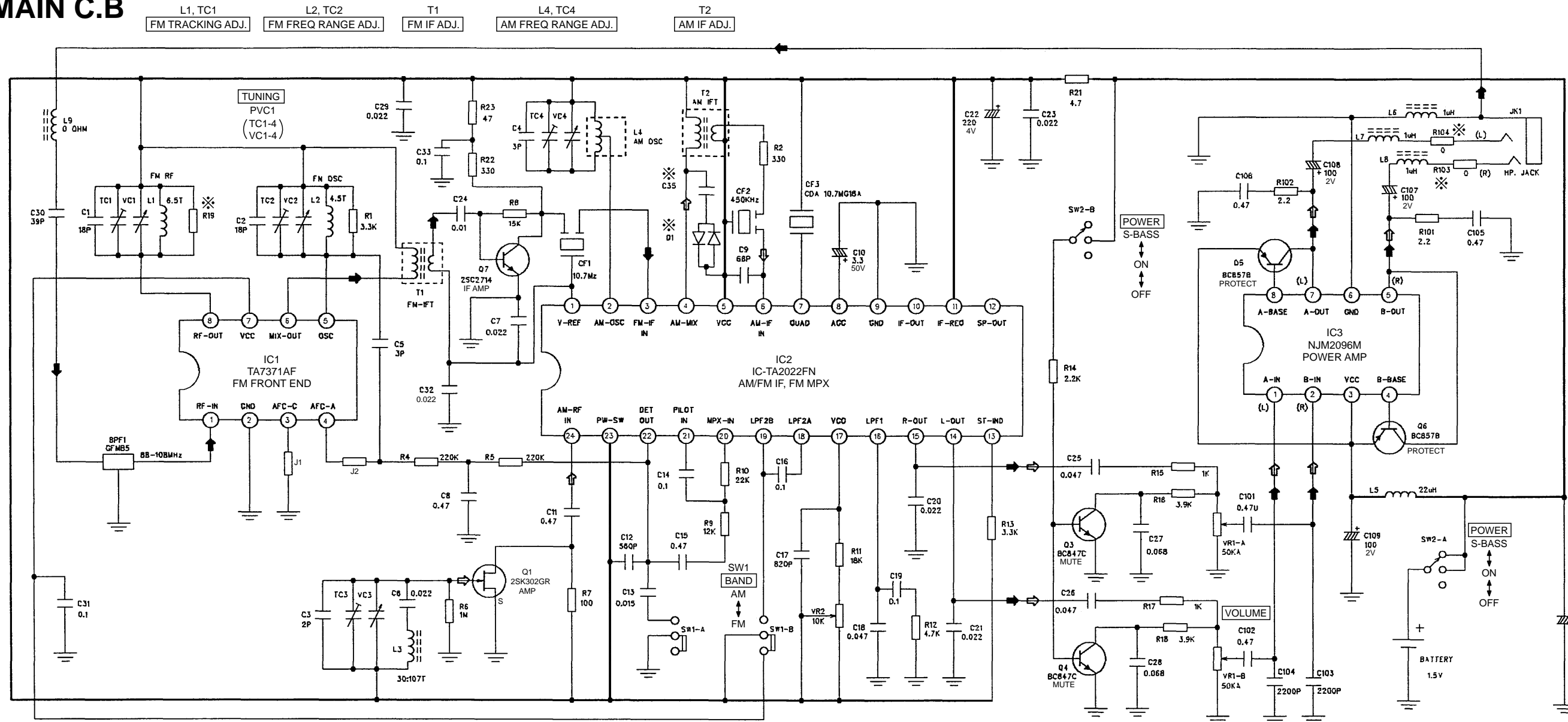
IC, TA2022FN



IC, NJM2096M



MAIN C.B



L3, TC3
AM TRACKING ADJ.

※	YZ1	EXCEPT YZ1
C35	NM	0.1
D1	NM	DA221
R19	NM	8.2K
R104	15	0
R103	15	0

VR2
VCO ADJ.

IC1	1	2	3	4	5	6	7	8
AM	0.67	0	-	0	1.43	0	0.7	1.43
FM	0.7	0	-	0	1.36	1.36	1.36	1.36

Q3, Q4	E	C	B
BASS OFF	0.64	0	0
BASS ON	-	0	0

Q2	E	C	B
AM	0	0.9	0.7
FM	0	0.9	0.7

IC3	1	2	3	4	5	6	7	8
ON	0	0	1.48	0.8	0.7	0	0.7	0.85

Q2	E	C	B
AM	0.64	0	0
FM	0	0	0

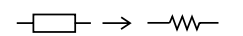
IC2	1	2	3	4	5	6	7	8	9	10	11	12
AM	0.9	1.43	0.9	0.75	1.43	1.43	1.43	-	0	-	1.43	-
FM	0.9	1.36	0.9	-	1.36	1.36	1.36	-	0	-	1.36	-

Q1	G	S	D
ON	0	0.65	1.28

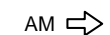
IC2	13	14	15	16	17	18	19	20	21	22	23	24
AM	-	0.55	0.55	-	-	-	1.43	-	0.1	0.78	1.43	0.9
FM	-	0.55	0.55	-	1.26	-	-	0.1	0.1	0.9	1.36	0

Q5, Q6	E	C	B
ON	1.48	0.7	0.8

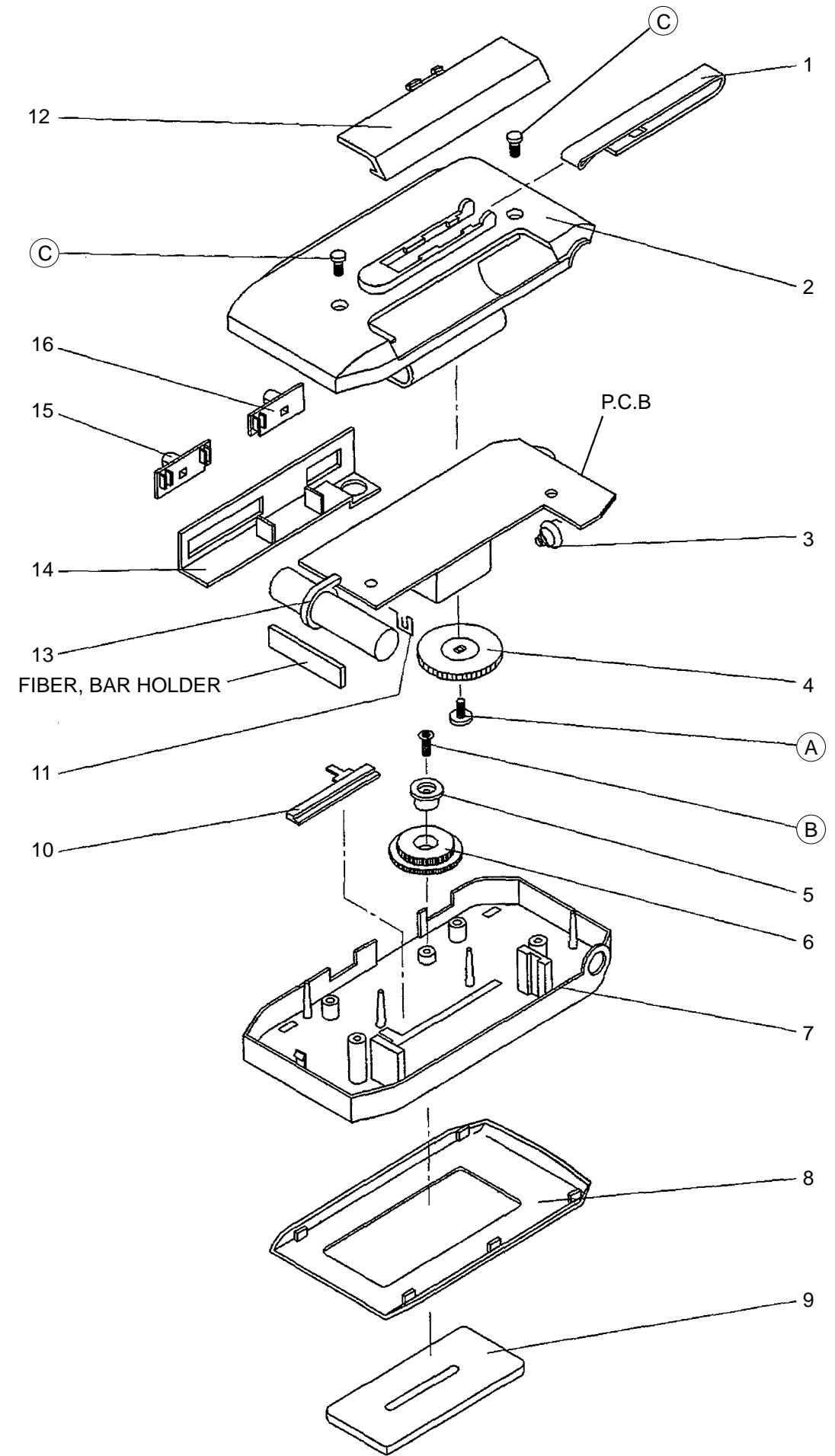
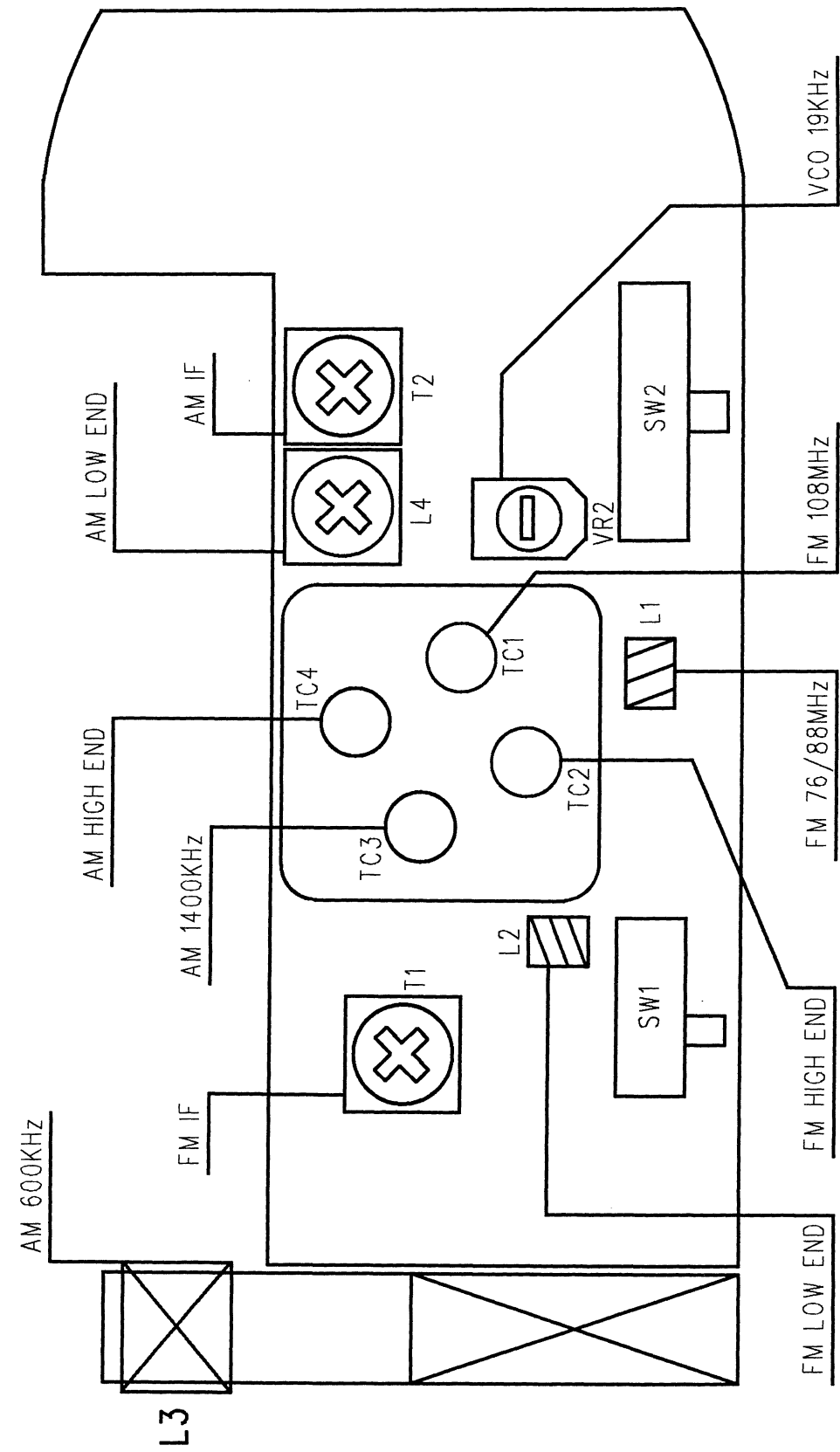
NOTE



SIGNAL



NM : NO MOUNT



MECHANICAL PARTS LIST 1/1

DESCRIPTIONで判断できない物は "REFERENCE NAME LIST" を参照してください。
 If can't understand for Description please kindly refer to "REFERENCE NAME LIST".

REF. NO	PART NO.	KANRI NO.	DESCRIPTION	REF. NO	PART NO.	KANRI NO.	DESCRIPTION
1	8A-RCD-010-010		CLIP,	9	8A-RCE-016-010		WINDOW, YZ L
2	8A-RCE-017-010		CABI, REAR YH L<YH1<L>, YHT1<L>>				<YZ1<L>, YH1<L>, YHT1<L>, YJ1<L>>
2	8A-RCE-020-010		CABI, REAR YH P<YH1<P>, YH1<P>>	9	8A-RCE-010-010		WINDOW, YZ S
2	8A-RCE-025-010		CABI, REAR YH S				<YZ1<S>, YH1<S>, YHT1<S>, YJ1<S>, YL1<S>>
			<YH1<S>, YHT1<S>, YL1<S>>	10	8A-RCD-006-010		POINTER,
2	8A-RCE-018-010		CABI, REAR YJ L<YJ1<L>>	11	8A-RCD-205-010		BAT-CONTACT, +
				12	8A-RCE-004-010		DOOR, BATT D S
2	8A-RCE-024-010		CABI, REAR YJ P<YJ1<P>>				<YZ1<S>, YH1<S>, YHT1<S>, YJ1<S>, YL1<S>>
2	8A-RCE-011-010		CABI, REAR YJ S<YJ1<S>>				
2	8A-RCE-013-010		CABI, REAR YZ L<YZ1<L>>	12	8A-RCE-022-010		DOOR, BATT YH P
2	8A-RCE-009-010		CABI, REAR YZ S<YZ1<S>>				<YH1<P>, YH1<P>, YJ1<P>>
3	8A-RCD-206-010		BAT-CONTACT, -	12	8A-RCE-015-010		DOOR, BATT YZ L
							<YZ1<L>, YH1<L>, YHT1<L>, YJ1<L>>
4	8A-RCD-201-010		GEAR, PVC	13	8A-RCD-203-010		HLDR, BAR-ANT
5	8A-RCD-202-010		COVER, TUN KNOB	14	8A-RCD-204-010		HLDR, KNOB SL
6	8A-RCD-009-010		KNOB, RTRY TUN	15	8A-RCD-008-010		KNOB, SL BAND
7	8A-RCE-019-010		CABI, FRONT YH P				
			<YH1<P>, YH1<P>, YJ1<P>>	16	8A-RCD-007-010		KNOB, SL POW
7	8A-RCE-006-010		CABI, FRONT YU S	A	87-262-523-310		V+1.7-2 3 BLK
			<YZ1<S>, YH1<S>, YHT1<S>, YJ1<S>, YL1<S>>	B	87-B10-306-010		VFT2+1.7-3 W/O BLACK
				C	87-B10-026-010		VT2+1.7-8 CR HL
7	8A-RCE-012-010		CABI, FRONT YZ L				
			<YZ1<L>, YH1<L>, YHT1<L>, YJ1<L>>				
8	8A-RCE-003-010		PANEL, FRONT D S				
			<YZ1<S>, YH1<S>, YHT1<S>, YJ1<S>, YL1<S>>				
8	8A-RCE-021-010		PANEL, FRONT YJ P				
			<YH1<P>, YH1<P>, YJ1<P>>				
8	8A-RCE-014-010		PANEL, FRONT YZ L				
			<YZ1<L>, YH1<L>, YHT1<L>, YJ1<L>>				
9	8A-RCE-023-010		WINDOW, YH P<YH1<P>, YH1<P>, YJ1<P>>				

COLOR NAME TABLE

Basic color symbol	Color	Basic color symbol	Color	Basic color symbol	Color
B	Black	C	Cream	D	Orange
G	Green	H	Gray	L	Blue
LT	Transparent Blue	N	Gold	P	Pink
R	Red	S	Silver	ST	Titan Silver
T	Brown	V	Violet	W	White
WT	Transparent White	Y	Yellow	YT	Transparent Yellow
LM	Metallic Blue	LL	Light Blue	GT	Transparent Green
LD	Dark Blue	DT	Transparent Orange	GM	Metallic Green
YM	Metallic Yellow	DM	Metallic Orange	PT	Transparent Pink



アイワ株式会社 〒110-8710 東京都台東区池之端1-2-11 ☎03(3827)3111 (代表)
AIWA CO.,LTD. 2-11, IKENOHATA 1-CHOME, TAITO-KU, TOKYO 110-8710, JAPAN TEL:03 (3827) 3111