



NSX-DST717 U

SERVICE MANUAL

COMPACT DISC
STEREO CASSETTE RECEIVER

BASIC CD MECHANISM: 6ZG-1 ZRNDM
BASIC TAPE MECHANISM: 2ZM-3MK2 PR4NM

- Replace this Service manual with "Revision Publishing" when it is issued.

aiwa

S/M Code No. 09-006-432-7T1

SIMPLE

DATA

ELECTRICAL MAIN PARTS LIST - 1/11

NOTE: The characters in the suffix column indicate the part usage.

REF.NO	PARTS NO.	DESCRIPTION	SUFFIX	
UXX.....	A.....	
		KANRI		
		NO.		
C	603	87-010-112-040	CAP,E 100-16	A.....
C	602	87-010-186-080	CAP,CHIP 4700P	A.....
C	601	87-010-196-080	CHIP CAPACITOR,0.1-25	A.....
C	606	87-010-320-080	CHIP CAP 68P	A.....
C	604	87-010-405-040	CAP,E 10-50	A.....
C	605	87-010-546-040	CAP,E 0.33-50	A.....
C	608	87-012-157-080	C-CAP,S 330P-50 CH	A.....
C	621	87-010-178-080	CHIP CAP 1000P	A.....
CN	602	87-A60-082-010	CONN,05P H 9604S-05F	A.....
FB	601	87-003-098-080	COIL,2.2UH	A.....
J	601	87-A61-242-010	JACK,6.3 BLK MONO W/SW V KM	A.....
J	602	87-A61-242-010	JACK,6.3 BLK MONO W/SW V KM	A.....
*		8A-NF3-204-010	GUIDE,LED-CASS	A.....
C	161	87-010-178-080	CHIP CAP 1000P	A.....
C	162	87-012-156-080	C-CAP,S 220P-50 CH	A.....
C	401	87-010-196-080	CHIP CAPACITOR,0.1-25	A.....
C	407	87-010-322-080	C-CAP,S 100P-50 CH	A.....
C	410	87-010-196-080	CHIP CAPACITOR,0.1-25	A.....
C	417	87-010-322-080	C-CAP,S 100P-50 CH	A.....
C	424	87-010-196-080	CHIP CAPACITOR,0.1-25	A.....
C	423	87-010-196-080	CHIP CAPACITOR,0.1-25	A.....
C	501	87-010-178-080	CHIP CAP 1000P	A.....
C	502	87-012-156-080	C-CAP,S 220P-50 CH	A.....
C	532	87-010-196-080	CHIP CAPACITOR,0.1-25	A.....
C	531	87-010-196-080	CHIP CAPACITOR,0.1-25	A.....
CN	104	87-099-018-010	CONN,16P	A.....
CN	302	87-A60-059-010	CONN,08P V 9604S-08C	A.....
IC	402	87-A21-021-040	C-IC,BU2099FV	A.....
IC	401	87-A21-021-040	C-IC,BU2099FV	A.....
LED	101	87-A40-317-080	LED,SLR-342VCT31 RED	A.....
LED	421	87-A40-831-010	LED,SELU1E10CXM-LF70 BLUE-DEF	A.....
LED	422	87-A40-831-010	LED,SELU1E10CXM-LF70 BLUE-DEF	A.....
LED	446	87-A40-380-180	LED,SEL6510C-TP5 GRN	A.....
LED	447	87-A40-380-180	LED,SEL6510C-TP5 GRN	A.....
LED	445	87-A40-380-180	LED,SEL6510C-TP5 GRN	A.....
LED	441	87-A40-380-180	LED,SEL6510C-TP5 GRN	A.....
LED	444	87-A40-380-180	LED,SEL6510C-TP5 GRN	A.....
LED	449	87-A40-380-180	LED,SEL6510C-TP5 GRN	A.....
LED	442	87-A40-380-180	LED,SEL6510C-TP5 GRN	A.....
LED	443	87-A40-380-180	LED,SEL6510C-TP5 GRN	A.....
LED	448	87-A40-380-180	LED,SEL6510C-TP5 GRN	A.....
LED	440	87-A40-380-180	LED,SEL6510C-TP5 GRN	A.....
LED	452	87-A40-809-040	LED,LTL-307KK PGRN	A.....
LED	455	87-A40-809-040	LED,LTL-307KK PGRN	A.....
LED	453	87-A40-809-040	LED,LTL-307KK PGRN	A.....
LED	456	87-A40-809-040	LED,LTL-307KK PGRN	A.....
LED	451	87-A40-809-040	LED,LTL-307KK PGRN	A.....
LED	454	87-A40-809-040	LED,LTL-307KK PGRN	A.....
LED	464	87-A40-317-080	LED,SLR-342VCT31 RED	A.....
LED	465	87-A40-317-080	LED,SLR-342VCT31 RED	A.....
LED	462	87-A40-317-080	LED,SLR-342VCT31 RED	A.....
LED	463	87-A40-317-080	LED,SLR-342VCT31 RED	A.....
LED	461	87-A40-317-080	LED,SLR-342VCT31 RED	A.....
LED	521	87-A40-678-010	LED,SELU1E10CXM BLUE-DEF	A.....
LED	522	87-A40-678-010	LED,SELU1E10CXM BLUE-DEF	A.....
S	208	87-A90-095-080	SW,TACT EVQ11G04M	A.....
S	204	87-A90-095-080	SW,TACT EVQ11G04M	A.....
S	203	87-A90-095-080	SW,TACT EVQ11G04M	A.....
S	205	87-A90-095-080	SW,TACT EVQ11G04M	A.....
S	206	87-A90-095-080	SW,TACT EVQ11G04M	A.....
S	201	87-A90-095-080	SW,TACT EVQ11G04M	A.....
S	202	87-A90-095-080	SW,TACT EVQ11G04M	A.....
S	207	87-A90-095-080	SW,TACT EVQ11G04M	A.....
S	217	87-A90-095-080	SW,TACT EVQ11G04M	A.....
S	216	87-A90-095-080	SW,TACT EVQ11G04M	A.....
S	211	87-A90-095-080	SW,TACT EVQ11G04M	A.....
S	214	87-A90-095-080	SW,TACT EVQ11G04M	A.....
S	229	87-A90-095-080	SW,TACT EVQ11G04M	A.....
S	225	87-A90-095-080	SW,TACT EVQ11G04M	A.....
S	228	87-A90-095-080	SW,TACT EVQ11G04M	A.....
S	222	87-A90-095-080	SW,TACT EVQ11G04M	A.....
S	221	87-A90-095-080	SW,TACT EVQ11G04M	A.....
S	224	87-A90-095-080	SW,TACT EVQ11G04M	A.....
S	223	87-A90-095-080	SW,TACT EVQ11G04M	A.....
S	233	87-A90-095-080	SW,TACT EVQ11G04M	A.....
S	230	87-A90-095-080	SW,TACT EVQ11G04M	A.....
S	232	87-A90-095-080	SW,TACT EVQ11G04M	A.....
S	231	87-A90-095-080	SW,TACT EVQ11G04M	A.....
S	249	87-A90-095-080	SW,TACT EVQ11G04M	A.....
S	244	87-A90-095-080	SW,TACT EVQ11G04M	A.....
S	243	87-A90-095-080	SW,TACT EVQ11G04M	A.....

ELECTRICAL MAIN PARTS LIST - 2/11

S	248	87-A90-095-080	SW, TACT EVQ11G04M	A
S	242	87-A90-095-080	SW, TACT EVQ11G04M	A
S	246	87-A90-095-080	SW, TACT EVQ11G04M	A
S	241	87-A90-095-080	SW, TACT EVQ11G04M	A
S	247	87-A90-095-080	SW, TACT EVQ11G04M	A
S	245	87-A90-095-080	SW, TACT EVQ11G04M	A
S	250	87-A90-095-080	SW, TACT EVQ11G04M	A
S	251	87-A90-095-080	SW, TACT EVQ11G04M	A
S	511	87-A90-095-080	SW, TACT EVQ11G04M	A
S	515	87-A90-095-080	SW, TACT EVQ11G04M	A
S	514	87-A90-095-080	SW, TACT EVQ11G04M	A
S	513	87-A90-095-080	SW, TACT EVQ11G04M	A
S	512	87-A90-095-080	SW, TACT EVQ11G04M	A
SW	101	87-A91-740-010	SW, RTRY EC12E24308-30MM	A
SW	501	87-A91-739-010	SW, RTRY EC12E12404-25MM RT	A
		87-067-703-010	TAPPING SCREW, BVT2+3-10	A
C	1	87-010-387-080	CAP, E 470-25 SME	A
C	6	87-010-917-000	CAP, E 3300-50 M SMG	A
C	7	87-010-917-000	CAP, E 3300-50 M SMG	A
C	5	87-A11-148-080	CAP, TC U 0.1-50 Z F	A
C	8	87-A11-148-080	CAP, TC U 0.1-50 Z F	A
C	9	87-A11-148-080	CAP, TC U 0.1-50 Z F	A
C	4	87-A11-148-080	CAP, TC U 0.1-50 Z F	A
C	16	87-010-403-040	CAP, E 3.3-50 SME	A
C	12	87-010-917-000	CAP, E 3300-50 M SMG	A
C	13	87-010-917-000	CAP, E 3300-50 M SMG	A
C	18	87-A11-148-080	CAP, TC U 0.1-50 Z F	A
C	11	87-A11-148-080	CAP, TC U 0.1-50 Z F	A
C	19	87-A11-148-080	CAP, TC U 0.1-50 Z F	A
C	10	87-A11-148-080	CAP, TC U 0.1-50 Z F	A
C	23	87-A10-231-090	CAP, E 3300-80	A
C	22	87-A10-231-090	CAP, E 3300-80	A
C	25	87-A11-148-080	CAP, TC U 0.1-50 Z F	A
C	28	87-A11-148-080	CAP, TC U 0.1-50 Z F	A
C	21	87-A11-148-080	CAP, TC U 0.1-50 Z F	A
C	27	87-A11-148-080	CAP, TC U 0.1-50 Z F	A
C	29	87-A11-148-080	CAP, TC U 0.1-50 Z F	A
C	24	87-A11-148-080	CAP, TC U 0.1-50 Z F	A
C	20	87-A11-148-080	CAP, TC U 0.1-50 Z F	A
C	31	87-A11-148-080	CAP, TC U 0.1-50 Z F	A
C	38	87-A11-148-080	CAP, TC U 0.1-50 Z F	A
C	36	87-A11-148-080	CAP, TC U 0.1-50 Z F	A
C	37	87-A11-148-080	CAP, TC U 0.1-50 Z F	A
C	32	87-A11-148-080	CAP, TC U 0.1-50 Z F	A
C	30	87-A11-148-080	CAP, TC U 0.1-50 Z F	A
C	35	87-A11-148-080	CAP, TC U 0.1-50 Z F	A
C	34	87-A11-148-080	CAP, TC U 0.1-50 Z F	A
C	33	87-A11-148-080	CAP, TC U 0.1-50 Z F	A
CN	2	87-A61-109-010	CONN, 7P V TID-A	A
CN	1	87-A61-110-010	CONN, 9P V TID-A	A
D	1	87-017-447-010	DIODE, GBU4DL	A
D	3	87-017-654-060	DIODE, GBU6J	A
D	2	87-A40-224-010	DIODE, GBU8D	A
FC	2	87-033-213-080	CLAMP, FUSE	A
FC	1	87-033-213-080	CLAMP, FUSE	A
PR	2	87-026-691-080	FUSE, 10A 125V 251	A
PR	1	87-026-691-080	FUSE, 10A 125V 251	A
PR	8	87-026-691-080	FUSE, 10A 125V 251	A
PR	7	87-026-691-080	FUSE, 10A 125V 251	A
PR	4	87-A90-210-080	FUSE, 7A 125V 251	A
PR	6	87-A90-210-080	FUSE, 7A 125V 251	A
PR	5	87-A90-210-080	FUSE, 7A 125V 251	A
PR	3	87-A90-210-080	FUSE, 7A 125V 251	A
PT	2	8A-NF8-661-010	PT, SUB ANF-8 (U)	A
Q	1	87-026-245-080	TR, DTC114ES	A
Q	2	87-A30-198-080	TR, KTC3199GR	A
RY	1	87-A90-976-010	RELAY, AC12V SDT-S-112LMR	A
T	1	87-A60-317-010	TERMINAL, 1P MSC	A
T	2	87-A60-317-010	TERMINAL, 1P MSC	A
		87-067-703-010	TAPPING SCREW, BVT2+3-10	A
*		8A-NF3-215-010	HLDR, TR	A
*		8A-NF3-217-110	HLDR, TR-SW	A
C	102	87-010-183-080	C-CAP, S 2700P-50 B	A
C	101	87-010-183-080	C-CAP, S 2700P-50 B	A
C	105	87-010-186-080	CAP, CHIP 4700P	A
C	106	87-010-186-080	CAP, CHIP 4700P	A
C	103	87-010-405-080	CAP, ELECT 10-50V	A
C	104	87-010-405-080	CAP, ELECT 10-50V	A
C	108	87-010-406-080	CAP, ELECT 22-50	A
C	107	87-010-406-080	CAP, ELECT 22-50	A
C	119	87-010-197-080	CAP, CHIP 0.01 DM	A
C	111	87-010-322-080	C-CAP, S 100P-50 CH	A
C	112	87-010-322-080	C-CAP, S 100P-50 CH	A
C	114	87-A10-812-080	C-CAP, S 220P-200 J CH	A
C	113	87-A10-812-080	C-CAP, S 220P-200 J CH	A
C	120	87-010-197-080	CAP, CHIP 0.01 DM	A
C	121	87-010-260-080	CAP, ELECT 47-25V	A

ELECTRICAL MAIN PARTS LIST - 3/11

C	122	87-010-260-080	CAP, ELECT 47-25V	A
C	174	87-010-186-080	CAP,CHIP 4700P	A
C	173	87-010-186-080	CAP,CHIP 4700P	A
C	249	87-012-368-080	C-CAP,S 0.1-50 F	A
C	402	87-010-196-080	CHIP CAPACITOR,0.1-25	A
C	413	87-A10-119-080	CAP,E 10-100 REA	A
C	414	87-A10-119-080	CAP,E 10-100 REA	A
CNA	101	8A-NF8-652-010	CONN ASSY,7P TID-A(480)	A
CNA	102	8A-NF8-655-010	CONN ASSY,7P TID-A(150)	A
CON	103	87-A60-058-010	CONN,10P V 9604S-10C	A
CON	101	87-A61-011-010	CONN,13P H BLK TAC-L13P-A3	A
CON	102	87-A61-011-010	CONN,13P H BLK TAC-L13P-A3	A
D	103	87-A40-313-080	C-DIODE,MC 2840	A
D	113	87-020-331-080	CHIP-DIODE,DAN202K	A
D	117	87-A40-488-080	DIODE,1SS244	A
D	118	87-A40-488-080	DIODE,1SS244	A
D	419	87-A40-747-080	ZENER,UZ5.1BSB	A
D	418	87-A40-751-080	ZENER,UZ6.2BSB	A
D	417	87-A40-764-080	ZENER,UZ10BSC	A
D	422	87-A40-646-010	DIODE,FMB-G16L	A
D	421	87-A40-646-010	DIODE,FMB-G16L	A
D	428	87-A40-764-080	ZENER,UZ10BSC	A
Q	119	87-A30-190-080	TR,CC5551	A
Q	120	87-A30-190-080	TR,CC5551	A
Q	131	87-A30-204-010	TR,2SD2439	A
Q	132	87-A30-204-010	TR,2SD2439	A
Q	134	87-A30-205-010	TR,2SB1588	A
Q	133	87-A30-205-010	TR,2SB1588	A
Q	172	87-A30-106-040	C-TR,CMBT5551	A
Q	406	87-A30-186-010	FET,2SK3053	A
Q	405	87-A30-186-010	FET,2SK3053	A
Q	403	87-A30-484-080	C-TR,KRA102S	A
Q	401	87-A30-484-080	C-TR,KRA102S	A
R	166	87-A00-418-010	RES,M/F 0.15-3W J	A
R	162	87-A00-418-010	RES,M/F 0.15-3W J	A
R	165	87-A00-418-010	RES,M/F 0.15-3W J	A
R	161	87-A00-418-010	RES,M/F 0.15-3W J	A
RY	201	87-A91-686-010	RELAY, G5PA-28 (OMRON)	A
TH	102	87-A91-042-080	C-THMS,100K 55001	A
TH	101	87-A91-042-080	C-THMS,100K 55001	A
WH	102	87-A90-460-010	HLDR,WIRE 2.5-7P	A
WH	101	87-A90-460-010	HLDR,WIRE 2.5-7P	A
*		8A-NF3-222-010	HLDR,TR-2F	A
C	102	87-010-178-080	CHIP CAP 1000P	A
C	101	87-010-178-080	CHIP CAP 1000P	A
C	107	87-010-405-080	CAP, ELECT 10-50V	A
C	103	87-010-405-080	CAP, ELECT 10-50V	A
C	108	87-010-405-080	CAP, ELECT 10-50V	A
C	104	87-010-405-080	CAP, ELECT 10-50V	A
C	112	87-010-176-080	C-CAP,S 680P-50 SL	A
C	111	87-010-176-080	C-CAP,S 680P-50 SL	A
C	118	87-010-196-080	CHIP CAPACITOR,0.1-25	A
C	119	87-010-196-080	CHIP CAPACITOR,0.1-25	A
C	114	87-010-260-080	CAP, ELECT 47-25V	A
C	113	87-010-260-080	CAP, ELECT 47-25V	A
C	116	87-010-405-080	CAP, ELECT 10-50V	A
C	115	87-010-405-080	CAP, ELECT 10-50V	A
C	121	87-010-190-080	S CHIP F 0.01	A
C	122	87-010-190-080	S CHIP F 0.01	A
C	155	87-010-190-080	S CHIP F 0.01	A
C	157	87-010-190-080	S CHIP F 0.01	A
C	156	87-010-190-080	S CHIP F 0.01	A
C	152	87-012-368-080	C-CAP,S 0.1-50 F	A
C	151	87-012-368-080	C-CAP,S 0.1-50 F	A
C	153	87-A11-595-080	C-CAP,S 0.056-50 K B	A
C	154	87-A11-595-080	C-CAP,S 0.056-50 K B	A
C	160	87-010-186-080	CAP,CHIP 4700P	A
C	161	87-010-186-080	CAP,CHIP 4700P	A
C	201	87-010-186-080	CAP,CHIP 4700P	A
C	208	87-010-197-080	CAP,CHIP 0.01 DM	A
C	202	87-010-258-080	CAP,E 22-35 SME	A
C	209	87-010-260-080	CAP, ELECT 47-25V	A
C	205	87-010-260-080	CAP, ELECT 47-25V	A
C	203	87-010-322-080	C-CAP,S 100P-50 CH	A
C	206	87-012-156-080	C-CAP,S 220P-50 CH	A
C	204	87-015-685-080	CAP,E 10-25 7L	A
C	210	87-010-260-080	CAP, ELECT 47-25V	A
C	258	87-010-178-080	CHIP CAP 1000P	A
C	251	87-012-368-080	C-CAP,S 0.1-50 F	A
C	253	87-A11-595-080	C-CAP,S 0.056-50 K B	A
C	252	87-A11-595-080	C-CAP,S 0.056-50 K B	A
CN	102	87-A60-135-010	CONN,10P V FE	A
CN	101	87-A61-109-010	CONN,7P V TID-A	A
D	101	87-A40-269-080	C-DIODE,MC2836	A
D	103	87-A40-313-080	C-DIODE,MC 2840	A
D	160	87-A40-270-080	C-DIODE,MC2838	A
D	209	87-A40-455-080	DIODE,RL203 GW	A

ELECTRICAL MAIN PARTS LIST - 4/11

D	204	87-A40-488-080	DIODE, 1SS244	A
D	214	87-A40-313-080	C-DIODE, MC 2840	A
D	210	87-A40-455-080	DIODE, RL203 GSW	A
D	211	87-A40-749-080	ZENER, UZ5.6BSB	A
D	212	87-A40-749-080	ZENER, UZ5.6BSB	A
IC	101	87-A21-397-010	IC, STK490-070	A
J	101	87-A61-159-010	JACK, PIN 4P R/W/B/O KM	A
L	151	87-A50-610-010	COIL, 1UH K(MDEC)	A
L	152	87-A50-610-010	COIL, 1UH K(MDEC)	A
L	251	87-A50-610-010	COIL, 1UH K(MDEC)	A
Q	161	87-A30-106-080	C-TR, CMBT5551	A
Q	206	87-A30-190-080	TR, CC5551	A
Q	209	87-A30-256-010	TR, 2SD1933	A
Q	213	87-A30-107-070	C-TR, CMBT5401	A
Q	212	87-A30-255-010	TR, 2SB1342	A
Q	210	87-A30-255-010	TR, 2SB1342	A
Q	211	87-A30-256-010	TR, 2SD1933	A
Q	214	87-A30-484-080	C-TR, KRA102S	A
R	132	87-A00-258-080	RES, M/F 0.22-1W J	A
R	131	87-A00-258-080	RES, M/F 0.22-1W J	A
R	171	87-A00-258-080	RES, M/F 0.22-1W J	A
R	172	87-A00-258-080	RES, M/F 0.22-1W J	A
R	218	87-A00-257-080	RES, M/F 0.15-1W J	A
R	278	87-A00-257-080	RES, M/F 0.15-1W J	A
TH	201	87-A91-042-080	C-THMS, 100K 55001	A
*		8Z-NF3-210-010	GUIDE, FL	A
C	103	87-010-196-080	CHIP CAPACITOR, 0.1-25	A
C	104	87-010-313-080	CAP, CHIP 18P	A
C	105	87-010-322-080	C-CAP, S 100P-50 CH	A
C	109	87-010-401-040	CAP, E 1-50 SME	A
C	106	87-012-145-080	CAP, CHIP S 270P CH	A
C	107	87-012-157-080	C-CAP, S 330P-50 CH	A
C	108	87-015-681-040	E/CAP 10-16	A
C	118	87-010-194-080	CAP, CHIP 0.047	A
C	114	87-010-196-080	CHIP CAPACITOR, 0.1-25	A
C	110	87-010-196-080	CHIP CAPACITOR, 0.1-25	A
C	115	87-010-198-080	CAP, CHIP 0.022	A
C	116	87-010-493-040	CAP, E 0.47-50 GAS	A
C	117	87-010-498-040	CAP, E 10-16 GAS	A
C	112	87-016-460-080	C-CAP, S 0.22-16 B	A
C	113	87-A10-189-040	CAP, E 220-10	A
C	119	87-A10-797-040	CAP, E 47-35 M 5L SRM	A
C	128	87-010-178-080	CHIP CAP 1000P	A
C	123	87-010-196-080	CHIP CAPACITOR, 0.1-25	A
C	125	87-010-196-080	CHIP CAPACITOR, 0.1-25	A
C	122	87-010-197-080	CAP, CHIP 0.01 DM	A
C	121	87-015-699-040	CAP, E 10-50 7L	A
C	120	87-015-699-040	CAP, E 10-50 7L	A
C	131	87-A10-189-040	CAP, E 220-10	A
C	132	87-A10-189-040	CAP, E 220-10	A
C	151	87-010-194-080	CAP, CHIP 0.047	A
C	196	87-010-194-080	CAP, CHIP 0.047	A
C	197	87-010-194-080	CAP, CHIP 0.047	A
C	192	87-015-785-080	CHIP CAPACITOR, 0.1FZ-25Z	A
C	213	87-A10-189-040	CAP, E 220-10	A
C	306	87-010-196-080	CHIP CAPACITOR, 0.1-25	A
C	305	87-010-196-080	CHIP CAPACITOR, 0.1-25	A
C	301	87-010-318-080	C-CAP, S 47P-50 CH	A
C	303	87-016-460-080	C-CAP, S 0.22-16 B	A
C	304	87-016-460-080	C-CAP, S 0.22-16 B	A
C	310	87-010-067-040	CAP, E 0.1-50 5L	A
C	701	87-010-981-040	CAP, E 22-35 5L SRE	A
C	903	87-010-176-080	C-CAP, S 680P-50 SL	A
C	902	87-010-176-080	C-CAP, S 680P-50 SL	A
C	906	87-010-176-080	C-CAP, S 680P-50 SL	A
C	909	87-010-176-080	C-CAP, S 680P-50 SL	A
C	904	87-010-176-080	C-CAP, S 680P-50 SL	A
C	907	87-010-176-080	C-CAP, S 680P-50 SL	A
C	908	87-010-176-080	C-CAP, S 680P-50 SL	A
C	905	87-010-176-080	C-CAP, S 680P-50 SL	A
C	901	87-012-157-080	C-CAP, S 330P-50 CH	A
C	911	87-010-176-080	C-CAP, S 680P-50 SL	A
C	912	87-010-176-080	C-CAP, S 680P-50 SL	A
C	910	87-010-176-080	C-CAP, S 680P-50 SL	A
C	913	87-010-176-080	C-CAP, S 680P-50 SL	A
C	914	87-012-145-080	CAP, CHIP S 270P CH	A
C	991	87-010-322-080	C-CAP, S 100P-50 CH	A
CN	103	87-099-018-010	CONN, 16P	A
CN	101	87-099-720-010	CONN, 30P TYK-B(P)	A
CN	102	87-A60-054-010	CONN, 14P V 9604S-14C	A
CN	301	87-A60-079-010	CONN, 08P H 9604S-08F	A
CN	401	87-A60-057-010	CONN, 11P V 9604S-11C	A
CN	601	87-A60-062-010	CONN, 05P V 9604S-05C	A
CN	701	87-099-750-010	CONN, 15P V 9604SC	A
D	109	87-017-154-080	ZENER, HZS6C3L	A
D	103	87-020-465-080	DIODE, 1SS133 (110MA)	A
D	310	87-A40-747-080	ZENER, UZ5.1BSB	A

ELECTRICAL MAIN PARTS LIST - 5/11

FL	101	8A-NFE-613-010	FL, BJ784GK-ANF14	A
IC	102	87-A21-482-010	IC, RPM6938-H4	A
IC	101	8A-NFE-635-010	C-IC, LC876596W-****	A
IC	380	87-A21-577-040	C-IC, M61506FP	A
IC	403	87-A21-021-040	C-IC, BU2099FV	A
JW	316	87-A90-896-080	F-BEAD, 035600STY7	A
JW	315	87-A90-896-080	F-BEAD, 035600STY7	A
L	101	87-A50-333-010	COIL, OSC 9.43MHZ	A
LED	313	87-A40-380-180	LED, SEL6510C-TP5 GRN	A
LED	315	87-A40-380-180	LED, SEL6510C-TP5 GRN	A
LED	312	87-A40-380-180	LED, SEL6510C-TP5 GRN	A
LED	314	87-A40-380-180	LED, SEL6510C-TP5 GRN	A
LED	311	87-A40-380-180	LED, SEL6510C-TP5 GRN	A
Q	102	87-A30-076-080	C-TR, 2SC3052F	A
Q	108	87-A30-468-080	C-TR, KRC102S-RTK	A
Q	112	87-A30-074-080	C-TR, RT1P 141C	A
Q	111	87-A30-074-080	C-TR, RT1P 141C	A
Q	301	87-A30-276-040	C-TR, DTA143EKA	A
Q	702	87-A30-318-080	TR, CSA952K	A
Q	703	87-A30-318-080	TR, CSA952K	A
Q	701	87-A30-329-080	TR, CD1585BC	A
S	317	87-A90-095-080	SW, TACT EVQ11G04M	A
S	315	87-A90-095-080	SW, TACT EVQ11G04M	A
S	316	87-A90-095-080	SW, TACT EVQ11G04M	A
S	314	87-A90-095-080	SW, TACT EVQ11G04M	A
S	313	87-A90-095-080	SW, TACT EVQ11G04M	A
S	312	87-A90-095-080	SW, TACT EVQ11G04M	A
S	311	87-A90-095-080	SW, TACT EVQ11G04M	A
C	307	87-010-196-080	CHIP CAPACITOR, 0.1-25	A
C	301	87-010-318-080	C-CAP, S 47P-50 CH	A
C	302	87-010-318-080	C-CAP, S 47P-50 CH	A
C	305	87-012-157-080	C-CAP, S 330P-50 CH	A
C	306	87-012-157-080	C-CAP, S 330P-50 CH	A
C	303	87-012-157-080	C-CAP, S 330P-50 CH	A
C	304	87-012-157-080	C-CAP, S 330P-50 CH	A
C	315	87-010-178-080	CHIP CAP 1000P	A
C	316	87-010-178-080	CHIP CAP 1000P	A
C	314	87-010-180-080	C-CER 1500P	A
C	313	87-010-180-080	C-CER 1500P	A
C	311	87-010-198-080	CAP, CHIP 0.022	A
C	312	87-010-198-080	CAP, CHIP 0.022	A
C	319	87-012-141-080	CHIP-CAPACITOR, 0.22-16F	A
C	318	87-A10-201-080	C-CAP, S0.33-16 KB	A
C	317	87-A10-201-080	C-CAP, S0.33-16 KB	A
C	324	87-010-260-080	CAP, ELECT 47-25V	A
C	325	87-010-370-080	CAP, E 330-6.3 SME	A
C	327	87-010-404-080	CAP, ELECT 4.7-50V	A
C	328	87-010-404-080	CAP, ELECT 4.7-50V	A
C	320	87-012-141-080	CHIP-CAPACITOR, 0.22-16F	A
C	321	87-012-141-080	CHIP-CAPACITOR, 0.22-16F	A
C	322	87-012-141-080	CHIP-CAPACITOR, 0.22-16F	A
C	332	87-010-196-080	CHIP CAPACITOR, 0.1-25	A
C	339	87-010-196-080	CHIP CAPACITOR, 0.1-25	A
C	337	87-010-196-080	CHIP CAPACITOR, 0.1-25	A
C	335	87-010-401-080	CAP, ELECT 1-50V	A
C	336	87-010-401-080	CAP, ELECT 1-50V	A
C	340	87-010-196-080	CHIP CAPACITOR, 0.1-25	A
C	354	87-010-175-080	CAP 560P	A
C	358	87-010-183-080	C-CAP, S 2700P-50 B	A
C	359	87-010-183-080	C-CAP, S 2700P-50 B	A
C	357	87-010-197-080	CAP, CHIP 0.01 DM	A
C	356	87-010-260-080	CAP, ELECT 47-25V	A
C	352	87-012-140-080	CAP 470P	A
C	351	87-012-140-080	CAP 470P	A
C	355	87-012-349-080	C-CAP, S 1000P-50 CH	A
C	360	87-010-183-080	C-CAP, S 2700P-50 B	A
C	372	87-010-175-080	CAP 560P	A
C	371	87-010-175-080	CAP 560P	A
C	373	87-010-179-080	CAP, CHIP S B1200P	A
C	374	87-010-179-080	CAP, CHIP S B1200P	A
C	370	87-010-196-080	CHIP CAPACITOR, 0.1-25	A
C	378	87-010-196-080	CHIP CAPACITOR, 0.1-25	A
C	376	87-010-545-080	CAP, ELECT 0.22-50V	A
C	375	87-010-545-080	CAP, ELECT 0.22-50V	A
C	385	87-010-184-080	CHIP CAPACITOR 3300P(K)	A
C	386	87-010-196-080	CHIP CAPACITOR, 0.1-25	A
C	383	87-010-197-080	CAP, CHIP 0.01 DM	A
C	381	87-010-197-080	CAP, CHIP 0.01 DM	A
C	382	87-010-318-080	C-CAP, S 47P-50 CH	A
C	384	87-010-402-080	CAP, ELECT 2.2-50V	A
C	388	87-012-156-080	C-CAP, S 220P-50 CH	A
CN	301	87-A60-620-010	CONN, 3P V 2MM JMT	A
CN	351	87-A60-625-010	CONN, 8P V 2MM JMT	A
IC	302	87-A20-355-010	IC, CXA1553P	A
IC	303	87-A20-783-040	C-IC, BA7762AFS	A
L	302	87-A50-625-010	COIL, TRAP 85KHZ (SANWA)	A
L	301	87-A50-625-010	COIL, TRAP 85KHZ (SANWA)	A

ELECTRICAL MAIN PARTS LIST - 6/11

L	351	87-007-342-010	COIL, OSC 85K BIAS	A
Q	357	87-026-609-080	TR, KTA1266GR	A
Q	355	87-A30-063-080	C-TR, KRA104S	A
Q	354	87-A30-087-080	C-FET, 2SK2158	A
SFR	302	87-024-355-080	SFR, 33K DIA6 H	A
SFR	301	87-024-355-080	SFR, 33K DIA6 H	A
SFR	304	87-024-355-080	SFR, 33K DIA6 H	A
SFR	303	87-024-355-080	SFR, 33K DIA6 H	A
SFR	306	87-024-356-080	SFR, 47K DIA6 H	A
SFR	305	87-024-356-080	SFR, 47K DIA6 H	A
SFR	352	87-024-356-080	SFR, 47K DIA6 H	A
SFR	351	87-024-356-080	SFR, 47K DIA6 H	A
C	121	87-010-401-080	CAP, ELECT 1-50V	A
C	122	87-010-401-080	CAP, ELECT 1-50V	A
C	152	87-010-260-080	CAP, ELECT 47-25V	A
C	163	87-010-196-080	CHIP CAPACITOR, 0.1-25	A
C	177	87-010-197-080	CAP, CHIP 0.01 DM	A
C	178	87-010-197-080	CAP, CHIP 0.01 DM	A
C	174	87-012-368-080	C-CAP, S 0.1-50 F	A
C	173	87-012-368-080	C-CAP, S 0.1-50 F	A
C	172	87-012-368-080	C-CAP, S 0.1-50 F	A
C	171	87-012-368-080	C-CAP, S 0.1-50 F	A
C	176	87-A11-572-080	C-CAP, S 0.015-50 K B	A
C	175	87-A11-572-080	C-CAP, S 0.015-50 K B	A
C	489	87-010-402-080	CAP, ELECT 2.2-50V	A
C	491	87-010-402-080	CAP, ELECT 2.2-50V	A
C	492	87-010-402-080	CAP, ELECT 2.2-50V	A
CN	101	87-A60-996-010	CONN, 13P V BLK TAC-L13X-A3	A
J	102	87-A60-238-010	TERMINAL, SP 4P (MSC)	A
J	103	87-A60-483-010	JACK, DIA6.3 BLK ST W/S KM	A
Q	114	87-A30-105-080	C-TR, RT1P 441C	A
Q	403	87-A30-202-080	C-TR, RT1P441C	A
Q	413	87-A30-202-080	C-TR, RT1P441C	A
R	161	87-A00-443-050	RES, 390-1/2W J RP	A
R	164	87-A00-443-050	RES, 390-1/2W J RP	A
R	163	87-A00-443-050	RES, 390-1/2W J RP	A
R	162	87-A00-443-050	RES, 390-1/2W J RP	A
C	973	87-010-197-080	CAP, CHIP 0.01 DM	A
C	974	87-010-197-080	CAP, CHIP 0.01 DM	A
C	979	87-010-322-080	C-CAP, S 100P-50 CH	A
C	971	87-010-381-080	CAP, ELECT 330-16V	A
C	972	87-010-404-080	CAP, ELECT 4.7-50V	A
C	982	87-010-196-080	CHIP CAPACITOR, 0.1-25	A
C	983	87-010-197-080	CAP, CHIP 0.01 DM	A
C	987	87-010-197-080	CAP, CHIP 0.01 DM	A
C	984	87-010-197-080	CAP, CHIP 0.01 DM	A
C	981	87-010-260-080	CAP, ELECT 47-25V	A
C	995	87-010-178-080	CHIP CAP 1000P	A
C	993	87-010-178-080	CHIP CAP 1000P	A
C	997	87-010-196-080	CHIP CAPACITOR, 0.1-25	A
C	998	87-010-260-080	CAP, ELECT 47-25V	A
C	992	87-010-312-080	C-CAP, S 15P-50 CH	A
C	991	87-010-312-080	C-CAP, S 15P-50 CH	A
C	999	87-A11-155-080	CAP, TC U 0.01-16 Z F	A
D	991	87-017-149-080	ZENER, HZS6A2L	A
IC	991	87-070-127-110	IC, LC72131 D	A
Q	981	87-A30-234-080	TR, CSC4115BC	A
R	993	87-010-322-080	C-CAP, S 100P-50 CH	A
R	991	87-010-322-080	C-CAP, S 100P-50 CH	A
R	995	87-010-322-080	C-CAP, S 100P-50 CH	A
X	991	87-A70-061-010	VIB, XTAL 4.500MHZ CSA-309	A
C	774	87-010-184-080	CHIP CAPACITOR 3300P(K)	A
C	773	87-010-184-080	CHIP CAPACITOR 3300P(K)	A
C	772	87-010-197-080	CAP, CHIP 0.01 DM	A
C	771	87-010-263-080	CAP, ELECT 100-10V	A
C	788	87-010-149-080	C-CAP, S 5P-50 CH	A
C	784	87-010-197-080	CAP, CHIP 0.01 DM	A
C	782	87-010-197-080	CAP, CHIP 0.01 DM	A
C	783	87-010-197-080	CAP, CHIP 0.01 DM	A
C	786	87-010-197-080	CAP, CHIP 0.01 DM	A
C	785	87-010-197-080	CAP, CHIP 0.01 DM	A
C	789	87-012-365-080	C-CAP, S 0.027-25VBK	A
C	791	87-010-196-080	CHIP CAPACITOR, 0.1-25	A
C	795	87-010-197-080	CAP, CHIP 0.01 DM	A
C	796	87-010-197-080	CAP, CHIP 0.01 DM	A
C	792	87-010-197-080	CAP, CHIP 0.01 DM	A
C	798	87-010-197-080	CAP, CHIP 0.01 DM	A
C	793	87-010-404-080	CAP, ELECT 4.7-50V	A
C	797	87-010-405-080	CAP, ELECT 10-50V	A
C	799	87-010-407-080	CAP, ELECT 33-50V	A
C	790	87-012-365-080	C-CAP, S 0.027-25VBK	A
C	803	87-010-198-080	CAP, CHIP 0.022	A
C	804	87-010-263-080	CAP, ELECT 100-10V	A
C	807	87-010-400-080	CAP, ELECT 0.47-50V	A
C	809	87-010-401-080	CAP, ELECT 1-50V	A
C	808	87-010-401-080	CAP, ELECT 1-50V	A
C	801	87-010-403-080	CAP, ELECT 3.3-50V	A

ELECTRICAL MAIN PARTS LIST - 7/11

C	802	87-012-369-080	C-CAP, S 0.047-50F	A
C	800	87-012-369-080	C-CAP, S 0.047-50F	A
C	819	87-010-179-080	CAP, CHIP S B1200P	A
C	810	87-010-196-080	CHIP CAPACITOR, 0.1-25	A
C	814	87-010-197-080	CAP, CHIP 0.01 DM	A
C	816	87-010-400-080	CAP, ELECT 0.47-50V	A
C	815	87-010-400-080	CAP, ELECT 0.47-50V	A
C	811	87-010-403-080	CAP, ELECT 3.3-50V	A
C	812	87-010-403-080	CAP, ELECT 3.3-50V	A
C	823	87-010-177-080	C-CAP, S 820P-50 SL	A
C	820	87-010-179-080	CAP, CHIP S B1200P	A
C	821	87-010-405-080	CAP, ELECT 10-50V	A
C	824	87-010-405-080	CAP, ELECT 10-50V	A
C	825	87-010-596-080	CAP, S 0.047-16	A
IC	801	87-A21-560-010	IC, LA1844L-A	A
L	801	87-A50-608-010	COIL, FM DET-N(TOK)	A
L	802	87-A91-551-010	FLTR, PCFJZH-450 L(TOK)	A
L	811	87-005-847-080	COIL, 2.2UH(CECS)	A
L	822	87-A50-209-010	COIL, 1POLE MPX(MIT)	A
L	821	87-A50-209-010	COIL, 1POLE MPX(MIT)	A
R	790	87-010-197-080	CAP, CHIP 0.01 DM	A
C	842	87-010-197-080	CAP, CHIP 0.01 DM	A
C	844	87-010-197-080	CAP, CHIP 0.01 DM	A
C	858	87-010-196-080	CHIP CAPACITOR, 0.1-25	A
C	859	87-010-196-080	CHIP CAPACITOR, 0.1-25	A
C	852	87-010-197-080	CAP, CHIP 0.01 DM	A
C	851	87-010-197-080	CAP, CHIP 0.01 DM	A
C	853	87-010-197-080	CAP, CHIP 0.01 DM	A
C	850	87-010-260-080	CAP, ELECT 47-25V	A
C	860	87-010-197-080	CAP, CHIP 0.01 DM	A
C	959	87-010-196-080	CHIP CAPACITOR, 0.1-25	A
C	961	87-010-152-080	C-CAP, S 8P-50 CH	A
C	960	87-010-196-080	CHIP CAPACITOR, 0.1-25	A
C	963	87-015-785-080	CHIP CAPACITOR, 0.1FZ-25Z	A
CF	832	87-008-261-010	FILTER, SFE10.7MA5-A	A
CF	831	87-008-261-010	FILTER, SFE10.7MA5-A	A
FFE	831	A8-8ZA-190-030	8ZA-1 FEUNM	A
J	831	87-A60-202-010	TERMINAL, ANT 4P MSP-154V-02	A
L	832	87-005-847-080	COIL, 2.2UH(CECS)	A
L	951	8A-NF8-667-010	COIL, AM PACK 4(TOK)	A
Q	836	87-A30-489-080	C-TR, KRA107S	A
Q	835	89-327-143-080	TR, 2SC2714 (0.1W)	A
		87-067-703-010	TAPPING SCREW, BVT2+3-10	A
C	4	87-012-368-080	C-CAP, S 0.1-50 F	A
C	3	87-012-368-080	C-CAP, S 0.1-50 F	A
C	25	87-010-990-080	CAP, E 33-100 SME	A
C	27	87-010-990-080	CAP, E 33-100 SME	A
C	21	87-016-035-090	CAP, E 6800-35 VR	A
C	22	87-016-035-090	CAP, E 6800-35 VR	A
C	26	87-016-300-080	CAP, E 22-100 SME	A
C	28	87-016-300-080	CAP, E 22-100 SME	A
C	32	87-010-197-080	CAP, CHIP 0.01 DM	A
C	34	87-010-247-080	CAP, ELECT 100-50V	A
C	31	87-010-263-080	CAP, ELECT 100-10V	A
C	33	87-010-263-080	CAP, ELECT 100-10V	A
C	36	87-010-381-080	CAP, ELECT 330-16V	A
C	39	87-010-393-080	CAP, ELECT 100-35V	A
C	38	87-010-393-080	CAP, ELECT 100-35V	A
C	35	87-010-406-080	CAP, ELECT 22-50	A
C	40	87-010-190-080	S CHIP F 0.01	A
C	60	87-010-403-080	CAP, ELECT 3.3-50V	A
C	82	87-010-260-080	CAP, ELECT 47-25V	A
C	81	87-010-374-080	CAP, ELECT 47-10V	A
C	80	87-010-401-080	CAP, ELECT 1-50V	A
CN	1	87-A60-996-010	CONN, 13P V BLK TAC-L13X-A3	A
CN	92	87-A60-619-010	CONN, 2P V 2MM JMT	A
CN	91	87-A60-619-010	CONN, 2P V 2MM JMT	A
CNA	3	87-049-919-010	CONN, 3P EH V WHT	A
CNA	2	8A-NF3-640-110	CONN ASSY, 3P (VM) ANF-3	A
CNA	1	8A-NF8-653-010	CONN ASSY, 9P TID-A(480)	A
D	1	87-A40-673-090	DIODE, D10XB20	A
D	25	87-A40-553-080	DIODE, 1N4003 LES	A
D	28	87-A40-553-080	DIODE, 1N4003 LES	A
D	27	87-A40-553-080	DIODE, 1N4003 LES	A
D	26	87-A40-553-080	DIODE, 1N4003 LES	A
D	29	87-A40-781-080	ZENER, UZ36BSA	A
D	33	87-070-274-080	DIODE, 1N4003 SEM	A
D	31	87-A40-764-080	ZENER, UZ10BSC	A
D	65	87-A40-768-080	ZENER, UZ16BSA	A
Q	2	87-A30-217-010	TR, 2SB1436(R)	A
Q	1	87-A30-217-010	TR, 2SB1436(R)	A
Q	9	87-A30-318-080	TR, CSA952K	A
Q	13	89-213-702-010	TR, 2SB1370 (1.8W)	A
Q	14	89-213-702-010	TR, 2SB1370 (1.8W)	A
Q	84	87-A30-218-080	TR, 2SB1237(Q)	A
R	25	87-A00-261-080	RES, M/F 0.56-1W J	A
WH	1	87-A90-510-010	HLDR, WIRE 2.5-9P	A

ELECTRICAL MAIN PARTS LIST - 8/11

C	603	87-010-318-080	C-CAP,S 47P-50 CH	A.....
C	604	87-010-318-080	C-CAP,S 47P-50 CH	A.....
C	605	87-010-318-080	C-CAP,S 47P-50 CH	A.....
C	606	87-010-318-080	C-CAP,S 47P-50 CH	A.....
C	616	87-010-180-080	C-CER 1500P	A.....
C	613	87-010-197-080	CAP, CHIP 0.01 DM	A.....
C	617	87-010-198-080	CAP, CHIP 0.022	A.....
C	619	87-010-263-080	CAP, ELECT 100-10V	A.....
C	612	87-010-369-080	C-CAP,S 0.033-25 K B	A.....
C	618	87-010-401-080	CAP, ELECT 1-50V	A.....
C	611	87-010-956-080	CHIP-CAP,S 0.068-25B	A.....
C	614	87-016-669-080	C-CAP,S 0.1-25 K B	A.....
C	621	87-010-197-080	CAP, CHIP 0.01 DM	A.....
C	627	87-010-400-080	CAP, ELECT 0.47-50V	A.....
C	628	87-010-400-080	CAP, ELECT 0.47-50V	A.....
C	623	87-010-401-080	CAP, ELECT 1-50V	A.....
C	624	87-010-401-080	CAP, ELECT 1-50V	A.....
C	629	87-010-992-080	C-CAP,S 0.047-25 B	A.....
C	626	87-010-992-080	C-CAP,S 0.047-25 B	A.....
C	620	87-016-669-080	C-CAP,S 0.1-25 K B	A.....
C	632	87-010-185-080	C-CAP,S 3900P-50 B	A.....
C	631	87-010-185-080	C-CAP,S 3900P-50 B	A.....
C	634	87-010-196-080	CHIP CAPACITOR,0.1-25	A.....
C	630	87-010-383-080	CAP, ELECT 33-25V	A.....
C	639	87-010-405-080	CAP, ELECT 10-50V	A.....
C	637	87-A10-307-080	CAP,M 0.1-50 J	A.....
C	636	87-A10-307-080	CAP,M 0.1-50 J	A.....
C	635	87-A10-307-080	CAP,M 0.1-50 J	A.....
C	638	87-A10-307-080	CAP,M 0.1-50 J	A.....
C	643	87-010-196-080	CHIP CAPACITOR,0.1-25	A.....
C	644	87-010-401-080	CAP, ELECT 1-50V	A.....
C	642	87-010-401-080	CAP, ELECT 1-50V	A.....
C	641	87-010-401-080	CAP, ELECT 1-50V	A.....
C	675	87-010-196-080	CHIP CAPACITOR,0.1-25	A.....
C	679	87-010-196-080	CHIP CAPACITOR,0.1-25	A.....
C	673	87-010-197-080	CAP, CHIP 0.01 DM	A.....
C	672	87-010-322-080	C-CAP,S 100P-50 CH	A.....
C	671	87-010-322-080	C-CAP,S 100P-50 CH	A.....
C	682	87-010-196-080	CHIP CAPACITOR,0.1-25	A.....
C	680	87-010-197-080	CAP, CHIP 0.01 DM	A.....
CN	605	87-099-568-010	CONN,11P TUC-P11P-B1	A.....
CN	601	87-099-719-010	CONN,30P TYK-B(X)	A.....
CN	602	87-A60-131-010	CONN,6P V FE	A.....
D	602	87-A40-438-080	ZENER,MTZJ4.7A	A.....
IC	601	87-A21-452-030	C-IC,BD3876KS2	A.....
J	601	87-A60-885-010	JACK,PIN 6P R/W MSC	A.....
Q	601	87-026-610-080	TR,KTC3198GR	A.....
Q	606	87-A30-086-070	C-TR,CSD1306E	A.....
C	535	87-010-178-080	CHIP CAP 1000P	A.....
C	536	87-010-196-080	CHIP CAPACITOR,0.1-25	A.....
C	533	87-010-196-080	CHIP CAPACITOR,0.1-25	A.....
C	532	87-010-196-080	CHIP CAPACITOR,0.1-25	A.....
C	531	87-010-560-080	CAP,E 10-50 GAS	A.....
C	534	87-012-156-080	C-CAP,S 220P-50 CH	A.....
C	541	87-010-178-080	CHIP CAP 1000P	A.....
C	201	87-010-402-080	CAP, ELECT 2.2-50V	A.....
C	202	87-010-402-080	CAP, ELECT 2.2-50V	A.....
C	205	87-010-404-080	CAP, ELECT 4.7-50V	A.....
C	209	87-016-460-080	C-CAP,S 0.22-16 B	A.....
C	207	87-016-669-080	C-CAP,S 0.1-25 K B	A.....
C	208	87-016-669-080	C-CAP,S 0.1-25 K B	A.....
C	219	87-010-183-080	C-CAP,S 2700P-50 B	A.....
C	215	87-010-197-080	CAP, CHIP 0.01 DM	A.....
C	216	87-010-197-080	CAP, CHIP 0.01 DM	A.....
C	218	87-010-198-080	CAP, CHIP 0.022	A.....
C	217	87-010-198-080	CAP, CHIP 0.022	A.....
C	213	87-010-956-080	CHIP-CAP,S 0.068-25B	A.....
C	214	87-010-956-080	CHIP-CAP,S 0.068-25B	A.....
C	212	87-012-365-080	C-CAP,S 0.027-25VBK	A.....
C	211	87-012-365-080	C-CAP,S 0.027-25VBK	A.....
C	210	87-016-460-080	C-CAP,S 0.22-16 B	A.....
C	227	87-010-112-080	CAP, ELECT 100-16V	A.....
C	223	87-010-178-080	CHIP CAP 1000P	A.....
C	224	87-010-178-080	CHIP CAP 1000P	A.....
C	226	87-010-182-080	C-CAP,S 2200P-50 B	A.....
C	225	87-010-182-080	C-CAP,S 2200P-50 B	A.....
C	220	87-010-183-080	C-CAP,S 2700P-50 B	A.....
C	222	87-010-188-080	CAP,CHIP 6800P	A.....
C	221	87-010-188-080	CAP,CHIP 6800P	A.....
C	228	87-010-196-080	CHIP CAPACITOR,0.1-25	A.....
C	229	87-010-322-080	C-CAP,S 100P-50 CH	A.....
C	231	87-010-322-080	C-CAP,S 100P-50 CH	A.....
C	230	87-010-322-080	C-CAP,S 100P-50 CH	A.....
CN	201	87-A60-546-010	CONN,11P H GRY TUC-P11X-C1	A.....
IC	201	87-A20-869-040	C-IC,M62449FP	A.....
C	412	87-010-071-080	CAP, ELECT 1-50 M 5L SRE	A.....
C	419	87-010-154-080	CAP CHIP 10P	A.....

ELECTRICAL MAIN PARTS LIST - 9/11

C	418	87-010-154-080	CAP CHIP 10P	A
C	427	87-010-154-080	CAP CHIP 10P	A
C	426	87-010-196-080	CHIP CAPACITOR,0.1-25	A
C	424	87-010-408-080	CAP, ELECT 47-50V	A
C	428	87-010-408-080	CAP, ELECT 47-50V	A
C	439	87-010-154-080	CAP CHIP 10P	A
C	436	87-010-235-080	CAP, E 470-16 SME	A
C	435	87-010-382-080	CAP, ELECT 22-25V	A
C	433	87-010-401-080	CAP, ELECT 1-50V	A
C	432	87-010-415-080	CAP ELE SRE 10-50V	A
C	446	87-010-154-080	CAP CHIP 10P	A
C	440	87-010-154-080	CAP CHIP 10P	A
C	445	87-010-196-080	CHIP CAPACITOR,0.1-25	A
C	444	87-010-196-080	CHIP CAPACITOR,0.1-25	A
C	442	87-010-401-080	CAP, ELECT 1-50V	A
C	454	87-010-196-080	CHIP CAPACITOR,0.1-25	A
C	450	87-010-196-080	CHIP CAPACITOR,0.1-25	A
C	451	87-010-378-080	CAP, ELECT 10-16V	A
C	452	87-010-378-080	CAP, ELECT 10-16V	A
CNA	412	87-A60-627-010	CONN,10P V 2MM JMT	A
CNA	411	87-A60-627-010	CONN,10P V 2MM JMT	A
D	401	87-A40-347-080	ZENER,MTZJ2.2B	A
D	402	87-A40-347-080	ZENER,MTZJ2.2B	A
IC	413	87-070-391-040	IC,BA4558F	A
IC	411	87-A21-111-040	C-IC,M62495FP	A
IC	412	87-A21-111-040	C-IC,M62495FP	A
Q	415	89-110-372-080	TR,2SA1037(140MHZ 200MW)	A
Q	416	89-213-750-010	TR,2SB1375 (25W)	A
R	401	87-A00-401-050	RES,M/F 390-1W J VTP	A
R	402	87-A00-402-050	RES,M/F 560-1W J VTP	A
R	403	87-A00-402-050	RES,M/F 560-1W J VTP	A
		87-067-579-010	TAPPING SCREW, BVT2+3-8	A
C	105	87-010-196-080	CHIP CAPACITOR,0.1-25	A
C	109	87-010-196-080	CHIP CAPACITOR,0.1-25	A
C	107	87-010-196-080	CHIP CAPACITOR,0.1-25	A
C	108	87-010-196-080	CHIP CAPACITOR,0.1-25	A
C	101	87-010-196-080	CHIP CAPACITOR,0.1-25	A
C	106	87-010-197-080	CAP, CHIP 0.01 DM	A
C	104	87-010-313-080	CAP, CHIP 18P	A
C	103	87-010-314-080	C-CAP,S 22P-50V	A
C	102	87-010-374-080	CAP, ELECT 47-10V	A
C	119	87-010-196-080	CHIP CAPACITOR,0.1-25	A
C	113	87-010-196-080	CHIP CAPACITOR,0.1-25	A
C	110	87-010-196-080	CHIP CAPACITOR,0.1-25	A
C	111	87-010-196-080	CHIP CAPACITOR,0.1-25	A
C	114	87-010-196-080	CHIP CAPACITOR,0.1-25	A
C	117	87-010-198-080	CAP, CHIP 0.022	A
C	115	87-010-374-080	CAP, ELECT 47-10V	A
C	118	87-010-401-080	CAP, ELECT 1-50V	A
C	112	87-010-404-080	CAP, ELECT 4.7-50V	A
C	116	87-012-140-080	CAP 470P	A
C	128	87-010-196-080	CHIP CAPACITOR,0.1-25	A
C	125	87-010-196-080	CHIP CAPACITOR,0.1-25	A
C	126	87-010-196-080	CHIP CAPACITOR,0.1-25	A
C	120	87-010-196-080	CHIP CAPACITOR,0.1-25	A
C	124	87-010-263-080	CAP, ELECT 100-10V	A
C	122	87-010-311-080	CAP 12P	A
C	123	87-010-311-080	CAP 12P	A
C	129	87-010-384-080	CAP, ELECT 100-25V	A
C	121	87-010-401-080	CAP, ELECT 1-50V	A
C	127	87-010-555-040	CAP,E 100-10 GAS	A
C	134	87-010-196-080	CHIP CAPACITOR,0.1-25	A
C	131	87-010-263-080	CAP, ELECT 100-10V	A
C	139	87-010-314-080	C-CAP,S 22P-50V	A
C	132	87-010-401-080	CAP, ELECT 1-50V	A
C	136	87-010-405-080	CAP, ELECT 10-50V	A
C	135	87-010-405-080	CAP, ELECT 10-50V	A
C	142	87-010-182-080	C-CAP,S 2200P-50 B	A
C	143	87-010-196-080	CHIP CAPACITOR,0.1-25	A
C	141	87-010-196-080	CHIP CAPACITOR,0.1-25	A
C	149	87-010-196-080	CHIP CAPACITOR,0.1-25	A
C	148	87-010-196-080	CHIP CAPACITOR,0.1-25	A
C	144	87-010-312-080	C-CAP,S 15P-50 CH	A
C	147	87-010-405-080	CAP, ELECT 10-50V	A
C	140	87-010-552-040	CAP,E 22-16 GAS	A
C	146	87-012-154-080	C-CAP,S 150P-50 CH	A
C	145	87-012-154-080	C-CAP,S 150P-50 CH	A
C	153	87-010-178-080	CHIP CAP 1000P	A
C	154	87-010-178-080	CHIP CAP 1000P	A
C	159	87-010-178-080	CHIP CAP 1000P	A
C	150	87-010-405-080	CAP, ELECT 10-50V	A
C	152	87-010-405-080	CAP, ELECT 10-50V	A
C	151	87-010-405-080	CAP, ELECT 10-50V	A
C	158	87-012-154-080	C-CAP,S 150P-50 CH	A
C	157	87-012-154-080	C-CAP,S 150P-50 CH	A
C	155	87-A10-369-080	C-CAP,S 0.47-16 K B	A
C	160	87-010-178-080	CHIP CAP 1000P	A

ELECTRICAL MAIN PARTS LIST - 10/11

C	164	87-010-196-080	CHIP CAPACITOR,0.1-25	A.....
C	163	87-010-196-080	CHIP CAPACITOR,0.1-25	A.....
C	166	87-010-405-080	CAP, ELECT 10-50V	A.....
C	161	87-010-405-080	CAP, ELECT 10-50V	A.....
C	167	87-010-405-080	CAP, ELECT 10-50V	A.....
C	162	87-010-405-080	CAP, ELECT 10-50V	A.....
C	169	87-012-154-080	C-CAP,S 150P-50 CH	A.....
C	165	87-A10-369-080	C-CAP,S 0.47-16 K B	A.....
C	171	87-010-178-080	CHIP CAP 1000P	A.....
C	172	87-010-178-080	CHIP CAP 1000P	A.....
C	179	87-010-196-080	CHIP CAPACITOR,0.1-25	A.....
C	178	87-010-196-080	CHIP CAPACITOR,0.1-25	A.....
C	175	87-010-196-080	CHIP CAPACITOR,0.1-25	A.....
C	174	87-010-196-080	CHIP CAPACITOR,0.1-25	A.....
C	170	87-012-154-080	C-CAP,S 150P-50 CH	A.....
C	173	87-018-209-080	CAP, CER 0.1-50V	A.....
C	177	87-A10-369-080	C-CAP,S 0.47-16 K B	A.....
C	187	87-010-196-080	CHIP CAPACITOR,0.1-25	A.....
C	183	87-010-196-080	CHIP CAPACITOR,0.1-25	A.....
C	188	87-010-196-080	CHIP CAPACITOR,0.1-25	A.....
C	184	87-010-196-080	CHIP CAPACITOR,0.1-25	A.....
C	189	87-010-196-080	CHIP CAPACITOR,0.1-25	A.....
C	186	87-010-405-080	CAP, ELECT 10-50V	A.....
C	185	87-010-405-080	CAP, ELECT 10-50V	A.....
C	182	87-010-405-080	CAP, ELECT 10-50V	A.....
C	181	87-010-405-080	CAP, ELECT 10-50V	A.....
C	180	87-010-405-080	CAP, ELECT 10-50V	A.....
C	194	87-010-154-080	CAP CHIP 10P	A.....
C	193	87-010-154-080	CAP CHIP 10P	A.....
C	191	87-010-196-080	CHIP CAPACITOR,0.1-25	A.....
C	192	87-010-196-080	CHIP CAPACITOR,0.1-25	A.....
C	198	87-010-196-080	CHIP CAPACITOR,0.1-25	A.....
C	196	87-010-196-080	CHIP CAPACITOR,0.1-25	A.....
C	197	87-010-405-080	CAP, ELECT 10-50V	A.....
C	195	87-010-405-080	CAP, ELECT 10-50V	A.....
C	190	87-010-405-080	CAP, ELECT 10-50V	A.....
C	199	87-A10-369-080	C-CAP,S 0.47-16 K B	A.....
C	202	87-010-154-080	CAP CHIP 10P	A.....
C	201	87-010-154-080	CAP CHIP 10P	A.....
C	209	87-010-154-080	CAP CHIP 10P	A.....
C	204	87-010-196-080	CHIP CAPACITOR,0.1-25	A.....
C	203	87-010-196-080	CHIP CAPACITOR,0.1-25	A.....
C	206	87-010-401-080	CAP, ELECT 1-50V	A.....
C	207	87-010-405-080	CAP, ELECT 10-50V	A.....
C	208	87-010-405-080	CAP, ELECT 10-50V	A.....
C	205	87-A10-369-080	C-CAP,S 0.47-16 K B	A.....
C	210	87-010-154-080	CAP CHIP 10P	A.....
C	212	87-010-196-080	CHIP CAPACITOR,0.1-25	A.....
C	211	87-010-196-080	CHIP CAPACITOR,0.1-25	A.....
C	214	87-010-405-080	CAP, ELECT 10-50V	A.....
C	215	87-010-405-080	CAP, ELECT 10-50V	A.....
C	216	87-010-405-080	CAP, ELECT 10-50V	A.....
C	219	87-010-993-080	C-CAP,S 0.056-25 B	A.....
C	213	87-A10-369-080	C-CAP,S 0.47-16 K B	A.....
C	222	87-010-196-080	CHIP CAPACITOR,0.1-25	A.....
C	224	87-010-196-080	CHIP CAPACITOR,0.1-25	A.....
C	228	87-010-405-080	CAP, ELECT 10-50V	A.....
C	227	87-010-405-080	CAP, ELECT 10-50V	A.....
C	226	87-012-155-080	C-CAP 180P-50CH	A.....
C	225	87-012-155-080	C-CAP 180P-50CH	A.....
C	220	87-A10-369-080	C-CAP,S 0.47-16 K B	A.....
C	236	87-010-196-080	CHIP CAPACITOR,0.1-25	A.....
C	232	87-010-196-080	CHIP CAPACITOR,0.1-25	A.....
C	237	87-010-196-080	CHIP CAPACITOR,0.1-25	A.....
C	239	87-010-196-080	CHIP CAPACITOR,0.1-25	A.....
C	230	87-010-196-080	CHIP CAPACITOR,0.1-25	A.....
C	238	87-010-314-080	C-CAP,S 22P-50V	A.....
C	242	87-010-196-080	CHIP CAPACITOR,0.1-25	A.....
C	244	87-010-196-080	CHIP CAPACITOR,0.1-25	A.....
C	240	87-010-314-080	C-CAP,S 22P-50V	A.....
C	243	87-010-322-080	C-CAP,S 100P-50 CH	A.....
C	241	87-010-405-080	CAP, ELECT 10-50V	A.....
C	261	87-010-196-080	CHIP CAPACITOR,0.1-25	A.....
C	260	87-010-378-080	CAP, ELECT 10-16V	A.....
C	270	87-012-155-080	C-CAP 180P-50CH	A.....
C	306	87-010-183-080	C-CAP,S 2700P-50 B	A.....
C	309	87-010-184-080	CHIP CAPACITOR 3300P(K)	A.....
C	305	87-010-184-080	CHIP CAPACITOR 3300P(K)	A.....
C	303	87-010-196-080	CHIP CAPACITOR,0.1-25	A.....
C	304	87-012-393-080	C-CAP,S 0.22-16 R K	A.....
C	301	87-012-393-080	C-CAP,S 0.22-16 R K	A.....
C	302	87-012-393-080	C-CAP,S 0.22-16 R K	A.....
C	308	87-016-669-080	C-CAP,S 0.1-25 K B	A.....
C	307	87-016-669-080	C-CAP,S 0.1-25 K B	A.....
C	310	87-010-183-080	C-CAP,S 2700P-50 B	A.....
C	317	87-010-183-080	C-CAP,S 2700P-50 B	A.....
C	318	87-010-183-080	C-CAP,S 2700P-50 B	A.....

ELECTRICAL MAIN PARTS LIST - 11/11

C	313	87-010-196-080	CHIP CAPACITOR,0.1-25	A.....
C	316	87-010-374-080	CAP, ELECT 47-10V	A.....
C	315	87-010-374-080	CAP, ELECT 47-10V	A.....
C	312	87-010-374-080	CAP, ELECT 47-10V	A.....
C	319	87-010-545-080	CAP, ELECT 0.22-50V	A.....
C	311	87-012-393-080	C-CAP,S 0.22-16 R K	A.....
C	320	87-010-196-080	CHIP CAPACITOR,0.1-25	A.....
C	321	87-010-263-080	CAP, ELECT 100-10V	A.....
C	401	87-010-196-080	CHIP CAPACITOR,0.1-25	A.....
C	403	87-010-401-080	CAP, ELECT 1-50V	A.....
C	402	87-010-404-080	CAP, ELECT 4.7-50V	A.....
C	405	87-018-147-080	CAP,TC-U 10P-50 CH	A.....
C	504	87-010-196-080	CHIP CAPACITOR,0.1-25	A.....
C	502	87-010-322-080	C-CAP,S 100P-50 CH	A.....
C	506	87-010-322-080	C-CAP,S 100P-50 CH	A.....
C	508	87-018-119-080	CAP, CER 100P-50V	A.....
C	511	87-018-113-080	CAP, CER 33P-50V	A.....
C	510	87-018-131-080	CAP, CER 1000P-50V	A.....
C	512	87-A11-132-080	CAP,TC U 0.01-50 K B	A.....
CN	101	87-A60-057-010	CONN,11P V 9604S-11C	A.....
CN	103	88-AR1-658-010	CONN ASSY,2P (AC-3)	A.....
CN	105	8Z-NFD-645-010	CONN,ASSY 10P	A.....
CN	102	8Z-NFD-648-010	CONN,ASSY 10P	A.....
D	101	87-A40-291-080	DIODE,1N4148 (CPT)	A.....
D	301	87-017-931-080	ZENER,MTZJ5.6B	A.....
D	402	87-A40-291-080	DIODE,1N4148 (CPT)	A.....
D	401	87-A40-291-080	DIODE,1N4148 (CPT)	A.....
D	403	87-A40-291-080	DIODE,1N4148 (CPT)	A.....
D	404	87-A40-348-080	ZENER,MTZJ3.3A	A.....
FB	102	87-008-372-080	FILTER, EMI BL OIRNI	A.....
FB	104	87-008-372-080	FILTER, EMI BL OIRNI	A.....
FB	103	87-008-372-080	FILTER, EMI BL OIRNI	A.....
FB	105	87-008-372-080	FILTER, EMI BL OIRNI	A.....
FB	106	87-008-372-080	FILTER, EMI BL OIRNI	A.....
FB	108	87-008-474-080	F-BEAD,EMI BL02RN1	A.....
FB	109	87-008-474-080	F-BEAD,EMI BL02RN1	A.....
FB	107	87-008-474-080	F-BEAD,EMI BL02RN1	A.....
FB	110	87-003-223-080	FERRITE BEAD BL02RN2	A.....
FB	112	87-003-223-080	FERRITE BEAD BL02RN2	A.....
IC	106	87-017-022-080	IC,NJM2068M-D(T1)	A.....
IC	107	87-017-022-080	IC,NJM2068M-D(T1)	A.....
IC	105	87-017-022-080	IC,NJM2068M-D(T1)	A.....
IC	108	87-020-784-080	IC,TC4053BF	A.....
IC	109	87-020-784-080	IC,TC4053BF	A.....
IC	103	87-020-903-010	IC,NJM7805FA	A.....
IC	101	87-A20-823-010	C-IC,YSS248	A.....
IC	102	87-A20-824-010	C-IC,CS4226	A.....
IC	118	87-001-604-080	IC,TC74HCU04F	A.....
IC	114	87-017-022-080	IC,NJM2068M-D(T1)	A.....
IC	110	87-017-022-080	IC,NJM2068M-D(T1)	A.....
IC	112	87-017-022-080	IC,NJM2068M-D(T1)	A.....
IC	111	87-017-022-080	IC,NJM2068M-D(T1)	A.....
IC	113	87-017-022-080	IC,NJM2068M-D(T1)	A.....
IC	119	87-020-784-080	IC,TC4053BF	A.....
IC	115	87-A20-870-010	IC,GP1F37R	A.....
IC	117	87-A21-018-040	C-IC,M65849BFP631D	A.....
IC	121	87-002-298-080	IC,TC74HC00AF	A.....
IC	120	87-017-022-080	IC,NJM2068M-D(T1)	A.....
J	101	87-A60-573-010	JACK,PIN 1P ORN	A.....
L	106	87-003-097-080	COIL,1UH	A.....
L	103	87-005-274-080	COIL,68UH K LAL03	A.....
L	105	87-008-501-080	FLTR,DSS306-B101	A.....
L	104	87-008-501-080	FLTR,DSS306-B101	A.....
L	102	87-A50-095-010	COIL,68UH RCR875D	A.....
P	1	86-NFZ-222-010	PIN,DIA1-6.5	A.....
Q	105	87-A30-071-080	C-TR,RT1N 144C	A.....
Q	106	87-A30-075-080	C-TR,2SA1235F	A.....
Q	107	87-A30-257-080	C-TR,2SD1306E	A.....
Q	404	87-026-608-080	C-TR,DTC 123 JK	A.....
X	102	87-A70-115-010	VIB,XTAL 12.288MHZ	A.....
X	101	87-A70-116-010	VIB,XTAL 10.00MHZ	A.....

MECHANICAL PARTS LIST - 1/2

NOTE: The characters in the suffix column indicate the part usage.

REF.NO	PARTS NO.	DESCRIPTION	SUFFIX
U	XX	KANRI	A
		NO.	
	88-NF3-090-010	RING, FOOT	A
	8A-NF3-028-010	BOX, CASS L	A
	8A-NF3-029-010	BOX, CASS R	A
	8A-NF3-039-010	PANEL, CASS L	A
	8A-NF3-040-010	PANEL, CASS R	A
	8A-NF3-042-010	PANEL ASSY, TRAY	A
	8A-NF3-047-010	PANEL, CD	A
	8A-NF3-048-010	PANEL, REFLECTOR- CD	A
	8A-NF3-049-010	PANEL, KEY-CD	A
	8A-NF3-058-010	WINDOW, CASS L	A
	8A-NF3-059-010	WINDOW, CASS R	A
	8A-NFE-031-010	PANEL, FR U	A
	8A-NFE-051-010	WINDOW, DISP U	A
	8Z-NF3-048-010	COVER, BOTTOM	A
*	8A-NF3-026-010	CABI, BOTTOM	A
*	8A-NF3-027-010	CABI, STEEL	A
*	8A-NFE-001-010	CABI, FR	A
*	8A-NFE-011-010	CABI, REAR USM	A
	8A-NF3-061-010	KEY, GEO	A
	8A-NF3-063-010	KEY ASSY, OPE	A
	8A-NF3-065-010	KEY, KARAOKE	A
	8A-NF3-067-010	KEY, BBE	A
	8A-NF3-068-010	KEY, JOG	A
	8A-NF3-070-010	KEY, ECO	A
	8A-NF3-071-010	KEY, CD	A
	8A-NF3-073-010	KEY, REC U	A
	8A-NF3-076-010	RING, VOL	A
	8A-NF3-078-010	RING, JOG U	A
	8A-NF3-081-010	KNOB, RTRY VOL	A
	8A-NF3-082-010	KNOB, RTRY JOG	A
	8A-NFE-062-010	KEY, LFE	A
	8A-NFE-072-010	KEY, FUNC AC3	A
	81-532-080-010	LABEL, CASS. COMPT	A
	8A-NF3-087-010	REFLECTOR, JOG	A
	8A-NF3-088-010	REFLECTOR, FUNC	A
	8A-NF3-089-010	REFLECTOR, CD	A
	8A-NF3-090-010	REFLECTOR, CASS L	A
	8A-NF3-091-010	REFLECTOR, CASS R	A
	8Z-NF3-643-010	CONN ASSY, 3P PB	A
	8Z-NF3-644-010	CONN ASSY, 8P RPB	A
	84-ZG1-245-210	CAP, OPTICAL	A
	82-NF5-218-010	SPR-T, EJECT 1 (SIN)	A
	82-NF5-219-010	SPR-T, EJECT 2 (SIN)	A
	82-NF5-229-010	PLATE, LOCK	A
	86-NF9-224-010	SPR-C, LOCK	A
	87-064-185-010	HLDR, WIRE	A
	87-NF4-216-010	HLDR, LOCK 1	A
	87-NF4-217-110	HLDR, LOCK 2	A
	87-NF4-221-010	HLDR, CABLE	A
	87-NF8-220-010	DMPR, 150	A
	8A-NF3-225-010	COVER, HLDR	A
	8A-NF3-228-010	HLDR, PWB-PT	A
	8A-NF3-229-110	HLDR, BRACKET	A
*	8A-NF3-201-010	GUIDE, LED-FUNC	A
*	8A-NF3-203-010	GUIDE, LED-CD	A
*	8A-NF3-213-010	HLDR, HT-SINK L	A
*	8A-NF3-214-010	HLDR, HT-SINK R	A
*	8A-NF3-221-010	HLDR, IC-VM	A
*	8A-NF3-223-010	HLDR, FAN	A
*	8A-NF8-206-010	HLDR, PWB M	A
*	8A-NFE-207-010	HLDR, PWB-AC3	A
	87-067-579-010	TAPPING SCREW, BVT2+3-8	A
	87-067-581-010	TAPPING SCREW, BVT2+3-15	A
	87-067-641-010	UTT2+3-8 (W/O SLOT) BL	A
	87-067-689-010	TAPPING SCREW, BVT+3-8	A
	87-067-703-010	TAPPING SCREW, BVT2+3-10	A
	87-067-758-010	BVT2+3-12 W/O SLOT	A
	87-067-761-010	TAPPING SCREW, BVT2+3-10	A
	87-067-975-010	S-SCREW, IT+4-8	A
	87-591-095-410	TAPPING SCREW, QIT+3-8 (GLD)	A
	87-721-096-410	QT2+3-10 GLD	A
	87-721-097-410	QT2+3-12 GLD	A
	87-NF4-224-010	S-SCREW, IT3B+3-8 CU	A
*	87-067-822-010	BVT2+3-20 W/O SLOT	A
*	8A-NF3-208-010	HLDR, CHAS L	A
*	8A-NF3-209-010	HLDR, CHAS R	A
*	8A-NF3-210-010	HLDR, SIDE L	A
*	8A-NF3-211-010	HLDR, SIDE R	A
*	8A-NF3-212-010	HLDR, REAR	A
	87-010-260-080	CAP, ELECT 47-25V	A
	87-012-154-080	C-CAP, S 150P-50 CH	A

MECHANICAL PARTS LIST - 2/2

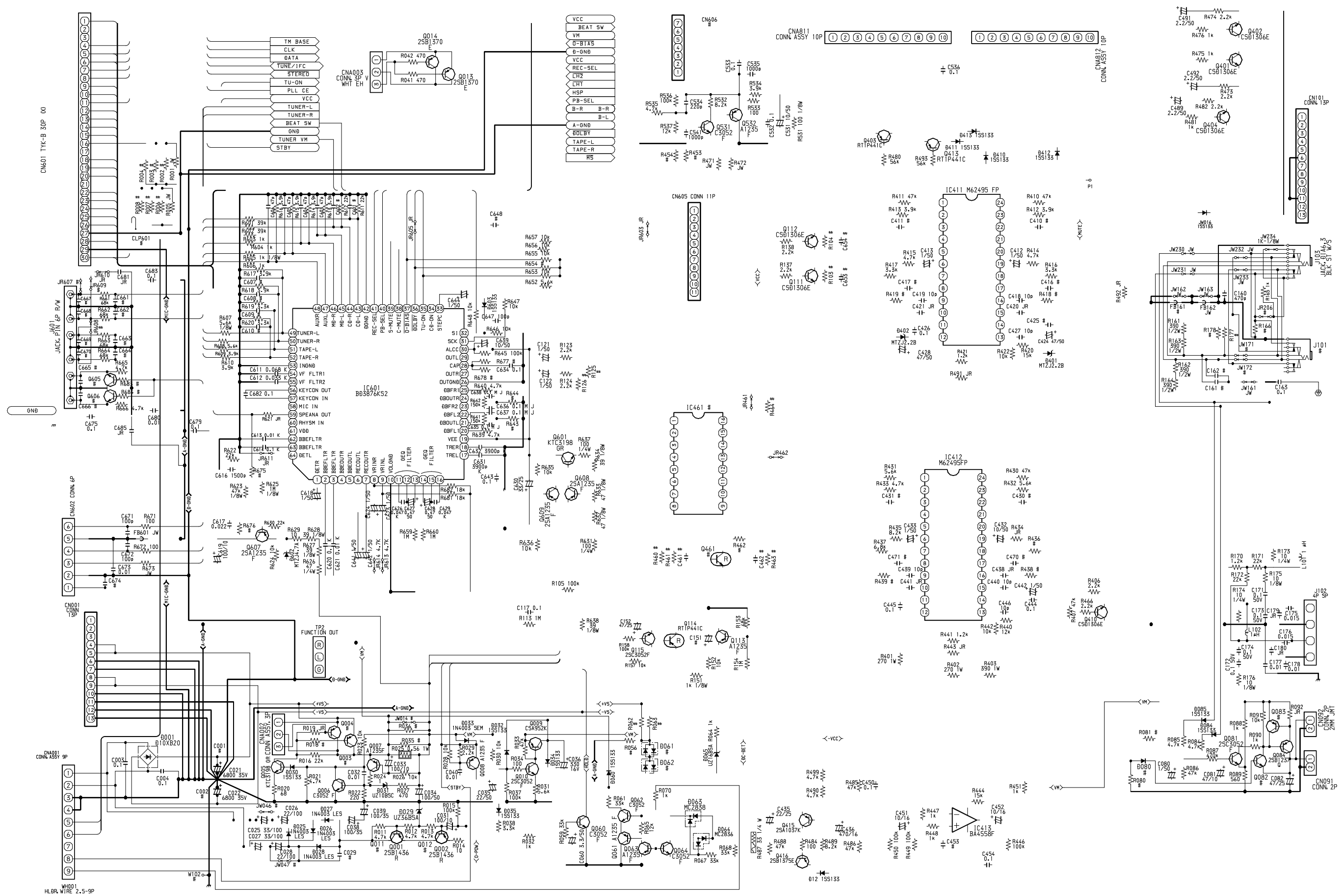
		87-012-156-080	C-CAP, S 220P-50 CH	A.....
		87-018-123-080	CAP, CER 220P-50V	A.....
		87-A40-747-080	ZENER, UZ5.1BSB	A.....
		87-A91-422-010	BUSHING, AC CORD (U)	A.....
		87-A91-423-010	FAN, AD0612DS-D7OGL	A.....
		87-A91-711-010	FAN, 3110GL-B4W-B34-H02 -400MM	A.....
		88-905-081-110	FF-CABLE, 5P 1.25	A.....
		88-906-481-110	FF-CABLE, 6P 1.25 480MM	A.....
		88-908-381-110	FF-CABLE, 8P 1.25	A.....
		88-910-201-110	FF-CABLE, 10P 1.25 200MM	A.....
		88-914-481-110	FF-CABLE, 14P 1.25 480MM	A.....
		88-915-161-110	FF-CABLE, 15P 1.25	A.....
F	101	87-035-494-010	FUSE, 10A 125V T 237	A.....
FB	101	87-A90-562-010	F-BEAD, 9.5-17.5-28.5 BRH	A.....
PT	101	8A-NFE-601-010	PT, U EI105-60 ANF-14	A.....
W	101	87-A80-149-010	AC CORD ASSY, U BLK	A.....
		87-067-703-010	TAPPING SCREW, BVT2+3-10	A.....
		87-067-703-010	TAPPING SCREW, BVT2+3-10	A.....
WH	102	87-A90-460-010	HLDR, WIRE 2.5-7P	A.....
WH	101	87-A90-460-010	HLDR, WIRE 2.5-7P	A.....
		87-067-703-010	TAPPING SCREW, BVT2+3-10	A.....
WH	1	87-A90-510-010	HLDR, WIRE 2.5-9P	A.....
		87-067-579-010	TAPPING SCREW, BVT2+3-8	A.....

ACCESSORIES / PACKAGE LIST - 1/1

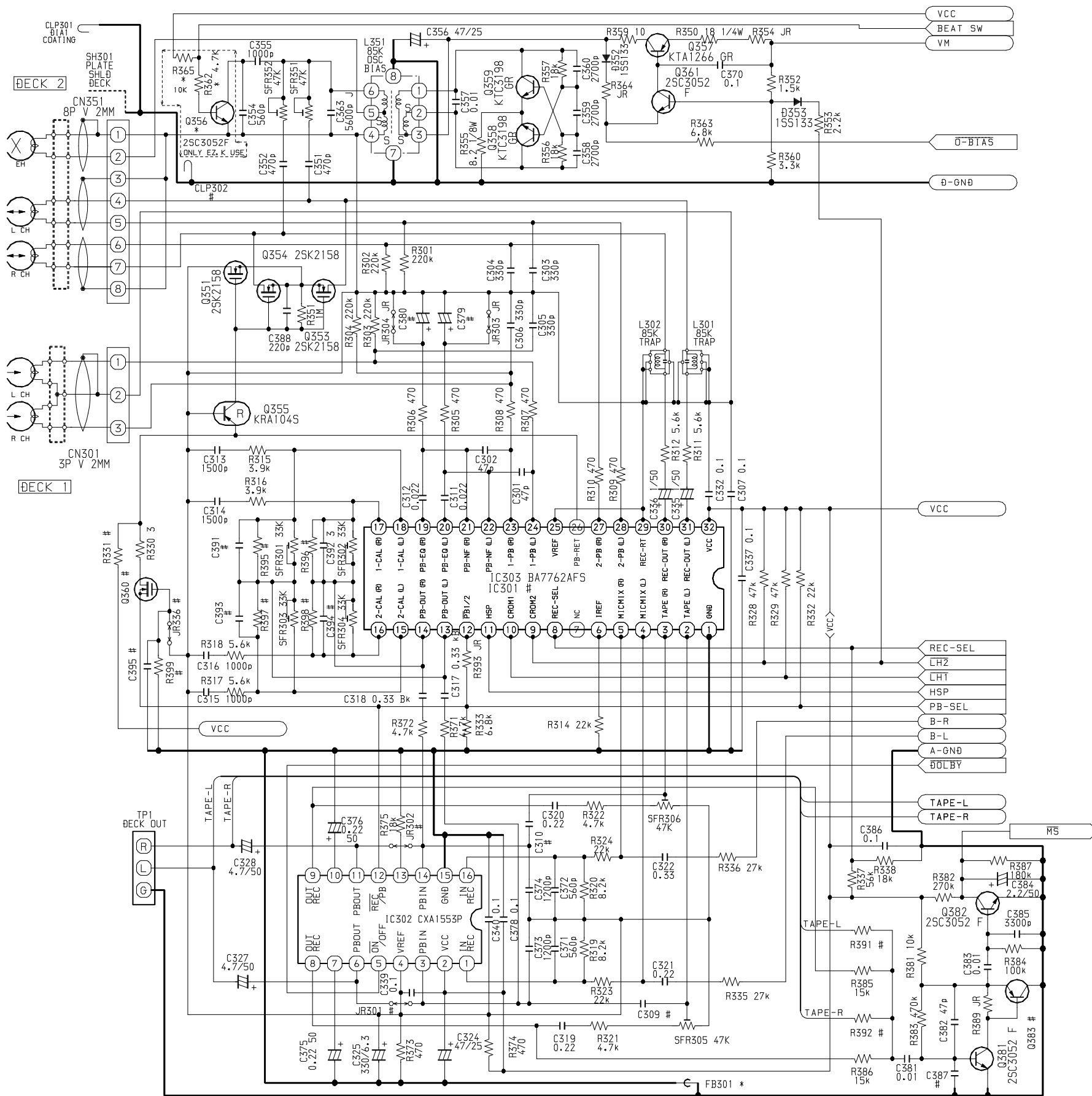
NOTE: The characters in the suffix column indicate the part usage.

REF.NO	PARTS NO.	NO.	DESCRIPTION	SUFFIX
U		XX.....		A.....
		KANRI		
	8A-NFE-903-010		IB,U (ESF) M	A.....
	87-006-225-010		AM LOOP ANT NC2	A.....
	87-043-115-010		ANT, FEEDER FM	A.....
	8Z-NFD-702-010		RC UNIT, RC- ZAS22	A.....

SCHEMATIC DIAGRAM - 1 (MAIN)



SCHEMATIC DIAGRAM - 2 (DECK)



T-ANF3/4-DECK-ALL

EZ, K : FLTR, EMI BL01
OTHERS : JW

	WITH DOLBY	W/O_DOLBY (R+R)	W/O_DOLBY (R+1_1+1)
JR303	C-JR	X	X
JR304	C-JR	X	X
C379	X	22/25	22/50
C380	X	22/50	22/50
C313	1200P	1000P	1500P
C314	1200P	1000P	1500P
R315	4.7K	5.6K	5.6K
R316	4.7K	5.6K	5.6K
C315	1000P	1000P	2200P
C316	1000P	1000P	2200P
R317	5.6K	5.6K	5.6K
R318	5.6K	5.6K	5.6K
C391	270P	56P	56P
C392	270P	56P	56P
C393	270P	56P	56P
C394	270P	56P	56P
R395	X	100K	100K
R396	X	100K	100K
R397	X	100K	100K
R398	X	100K	100K
SFR301	33K	X	X
SFR302	33K	X	X
SFR303	33K	X	X
SFR304	33K	X	X
C317	0.33 BK	C-JR	C-JR
C318	0.33 BK	C-JR	C-JR
R371	4.7K	39	39
R372	4.7K	39	39
C375	0.22/50	X	X
C376	0.22/50	X	X
R375	18K	X	X
JR301	X	C-JR	C-JR
JR302	X	C-JR	C-JR

	WITH DOLBY	W/O_DOLBY (R+R+1_1+1)
IC302	CXA1553P	X
C309	X	0.1
C310	X	0.1
C319	0.22	X
C320	0.22	X
R321	4.7K	X
R322	4.7K	X
SFR305	50K	X
SFR306	50K	X
C371	820P	X
C372	820P	X
C373	1200P	0.15
C374	1200P	0.15
R319	4.7K	22K
R320	4.7K	22K
R323	22K	C-JR
R324	22K	C-JR
C321	0.22	0.33
C322	0.22	0.33
R335	27K	22K
R336	27K	22K
R391	X	15K
R392	X	15K
R385	15K	X
R386	15K	X
R383	470K	820K
C387	X	270P
C382	47P	15P
R389	C-JR	6.8K
Q383	X	2SA1235
C385	3300P	X

	USE BA7762AFS	USE HA12211
Q360	X	2SK2158
R330	X	C-JR
R331	X	33K
JR336	X	C-JR

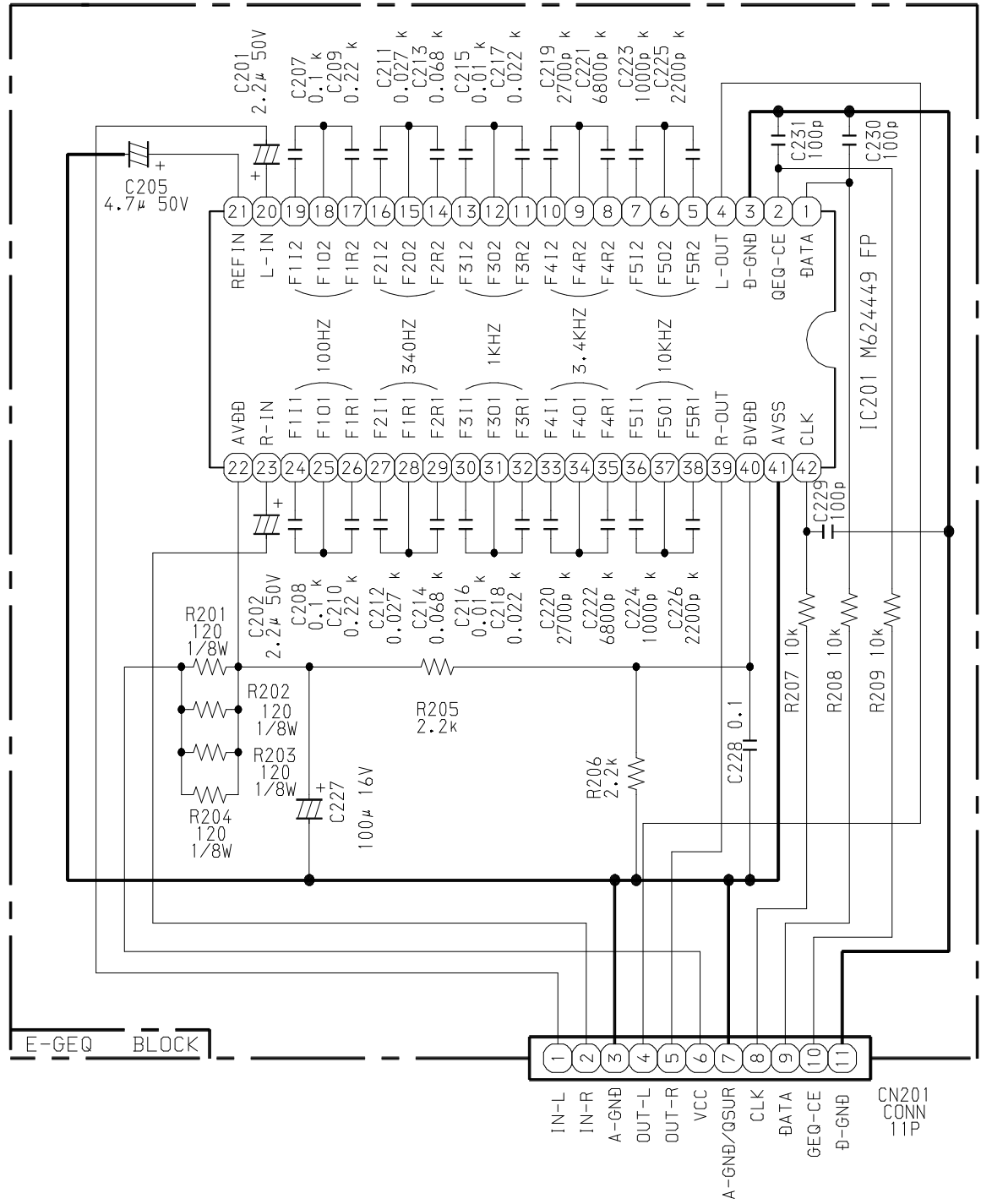
	EZ K MODEL	EXCEPT EZ K
Q356	2SC3052F	X
R362	4.7K	X
R365	10K	X

	EZ K MODEL	EXCEPT EZ
FB301	EM1BL01RN1	JW

TA LOW TA LOW
SCHEMATIC DIAGRAM (DECK)
8A NF6 631 01
ALL C0000047
ANF-3/4/14

23 DEC 1999

SCHEMATIC DIAGRAM - 4 (GEQ)

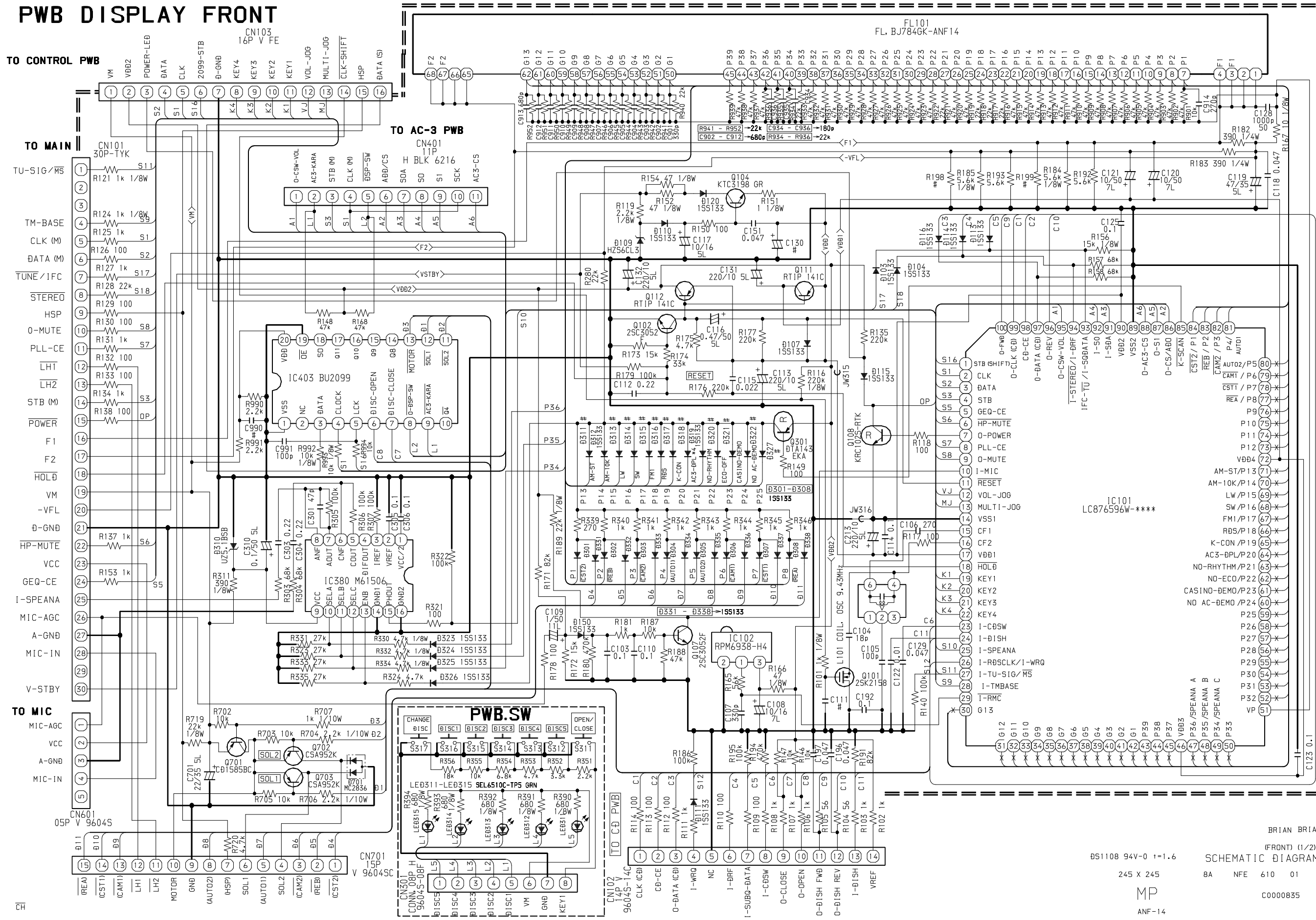


TA LOW TA LOW
 (E-GEQ)
 SCHEMATIC DIAGRAM
 8A NF6 634 01
 ALL C0000044
 ANF-3/4/14

ANF3/4-GEQ-ALL

23 DEC 1999

PWB DISPLAY FRONT



BRIAN BRIAN

(FRONT) (1/2)

SCHEMATIC DIAGRAM

DS1108 94V-0 ±1.6

245 X 245

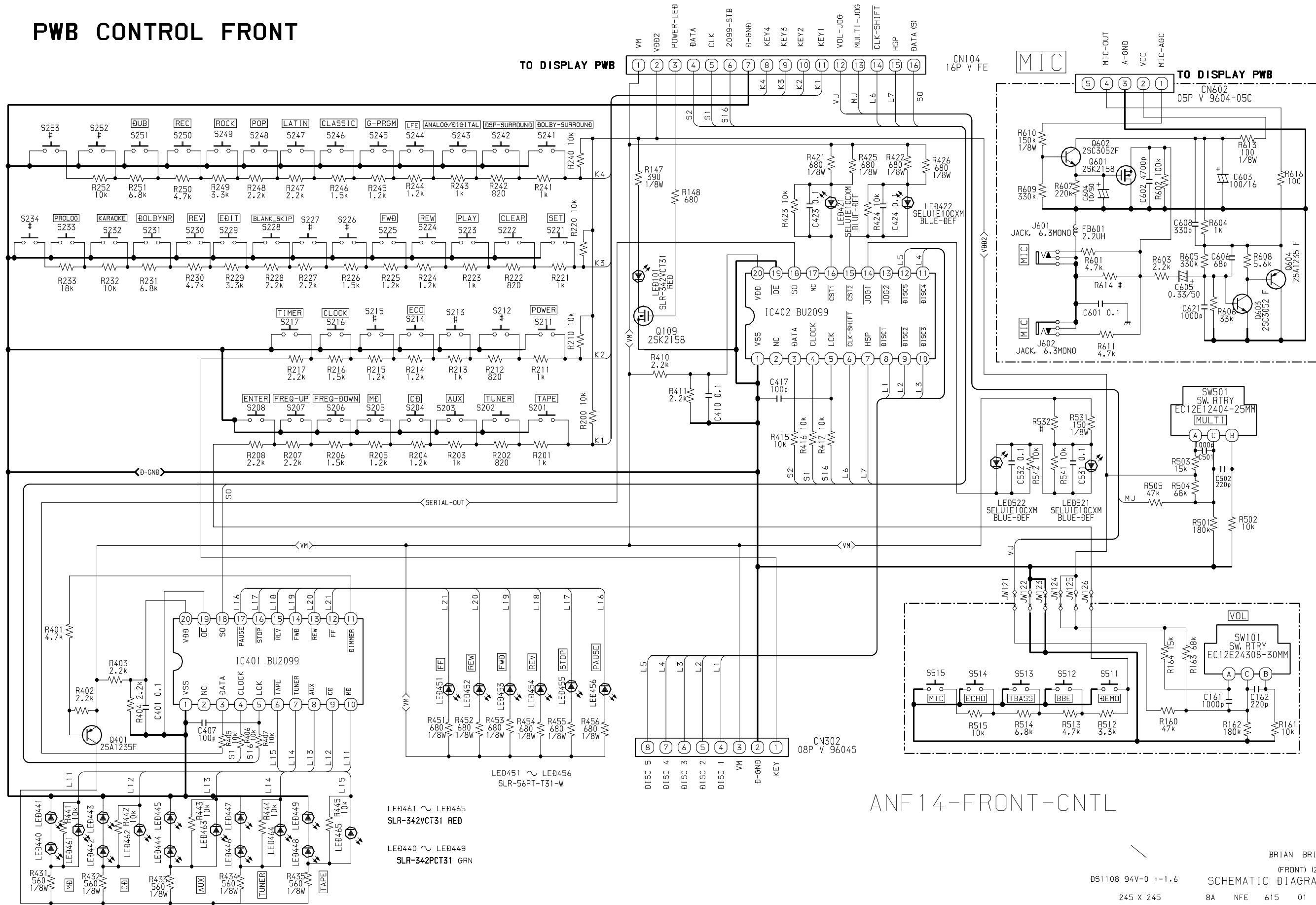
8A NFE 610 01

MP

C0000835

ANF-14

PWB CONTROL FRONT



ANF 14-FRONT-CNTL

BRIAN BRIAN

951108 94V-0 1=1.6

(FRONT) (2/2)

SCHEMATIC DIAGRAM

245 X 245

8A NFE 615 01

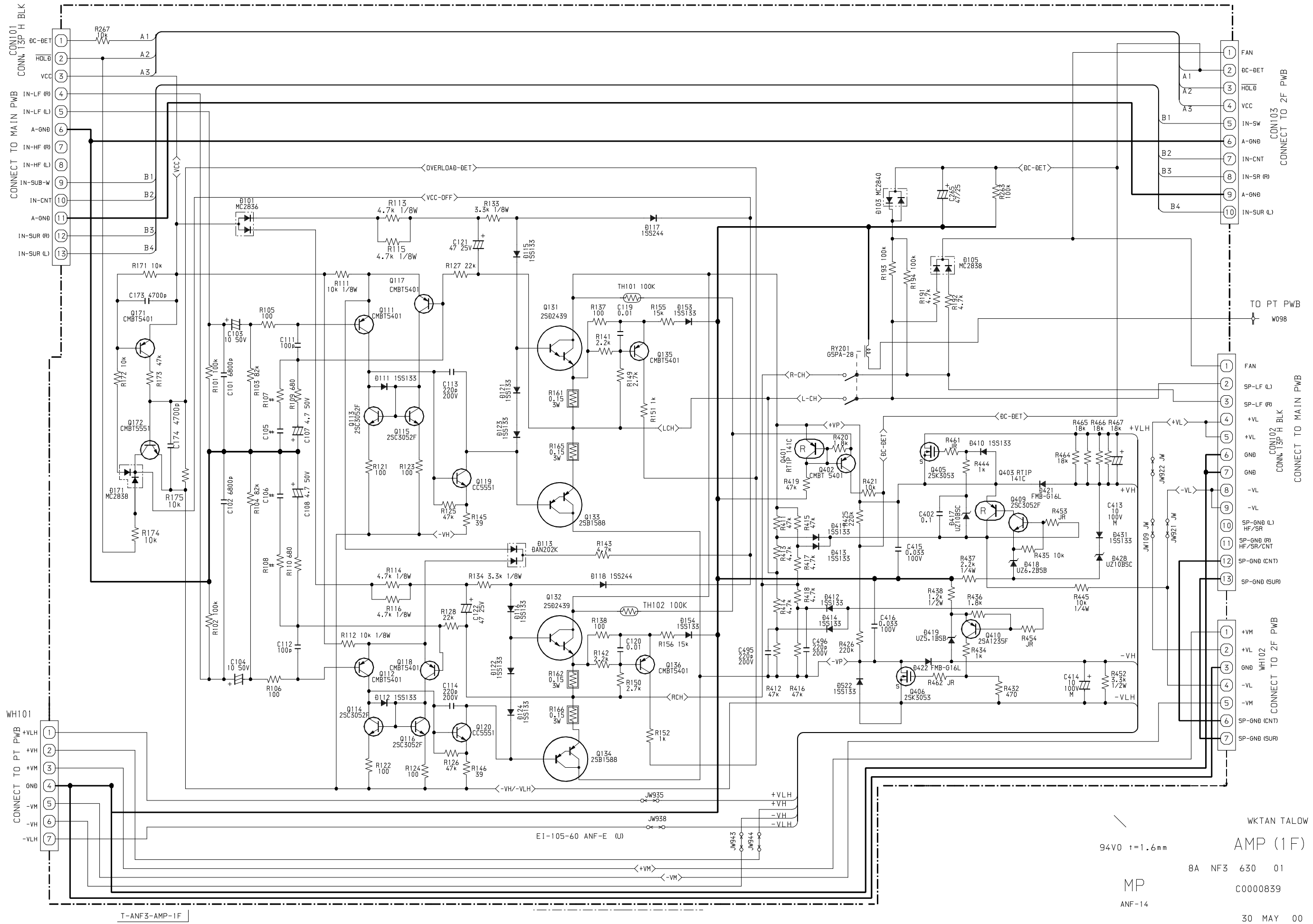
MP

C0000837

ANF-14

17 05 2000

SCHEMATIC DIAGRAM - 7 (AMP1F)

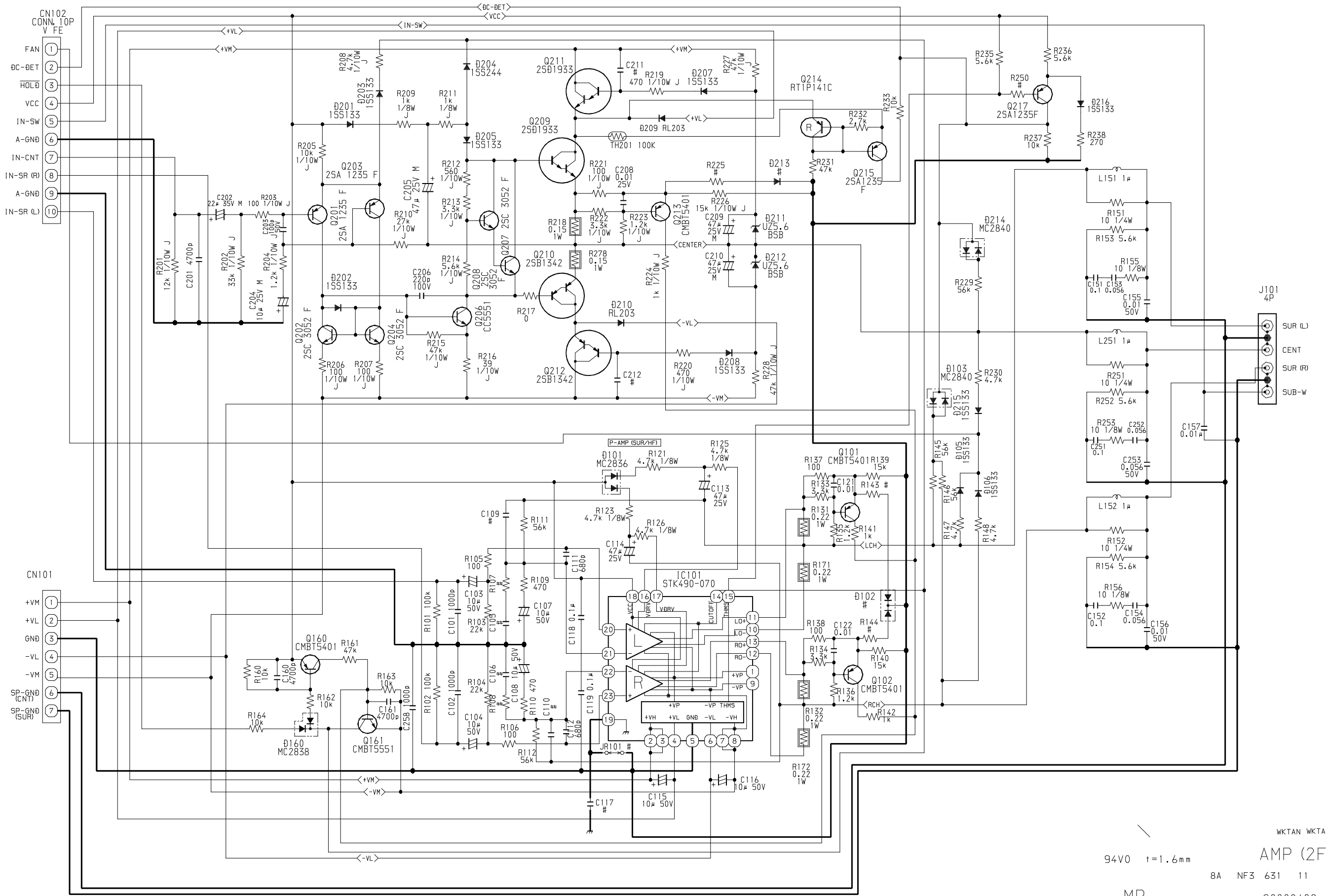


WKTAN TALOW
 AMP (1F)
 8A NF3 630 01
 C0000839
 30 MAY 00

94V0 t=1.6mm
 MP
 ANF-14

T-ANF3-AMP-1F

SCHEMATIC DIAGRAM - 8 (AMP2F)

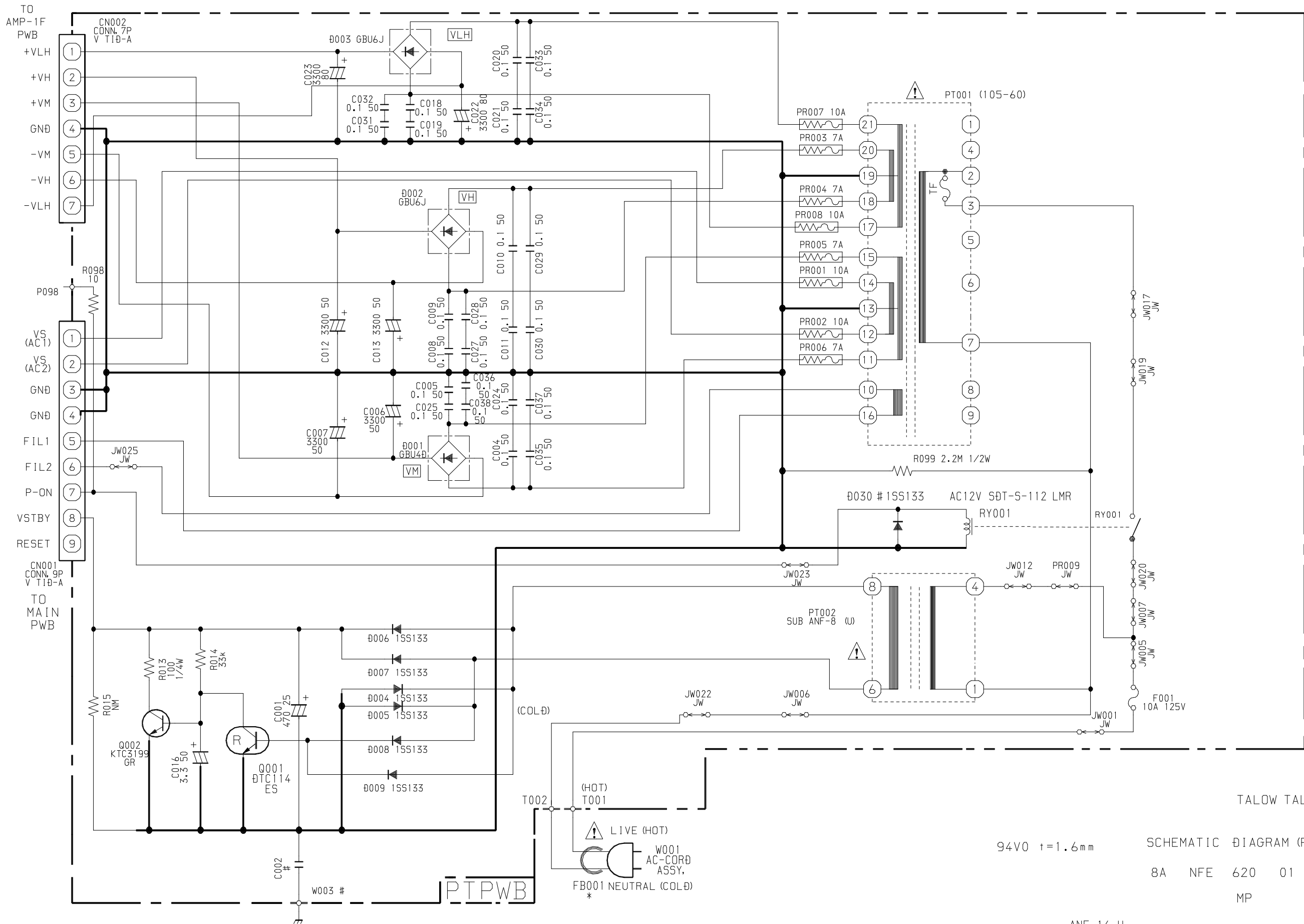


T-ANF-AMP-2F

WKTAN WKTAN
 94V0 t=1.6mm
 AMP (2F)
 8A NF3 631 11
 MP
 ANF14/24
 C0000402

08 APR 00

SCHEMATIC DIAGRAM - 10 (PT)



TALOW TALOW
 94V0 t=1.6mm
 SCHEMATIC DIAGRAM (PT)
 8A NFE 620 01
 MP

ANF-14 U

23 MAY 2000

アイワ株式会社 〒110-8710 東京都台東区池之端1-2-11 ☎03(3827)3111 (代表)
AIWA CO.,LTD. 2-11, IKENOHATA 1-CHOME, TAITO-KU, TOKYO 110, JAPAN TEL:03 (3827) 3111