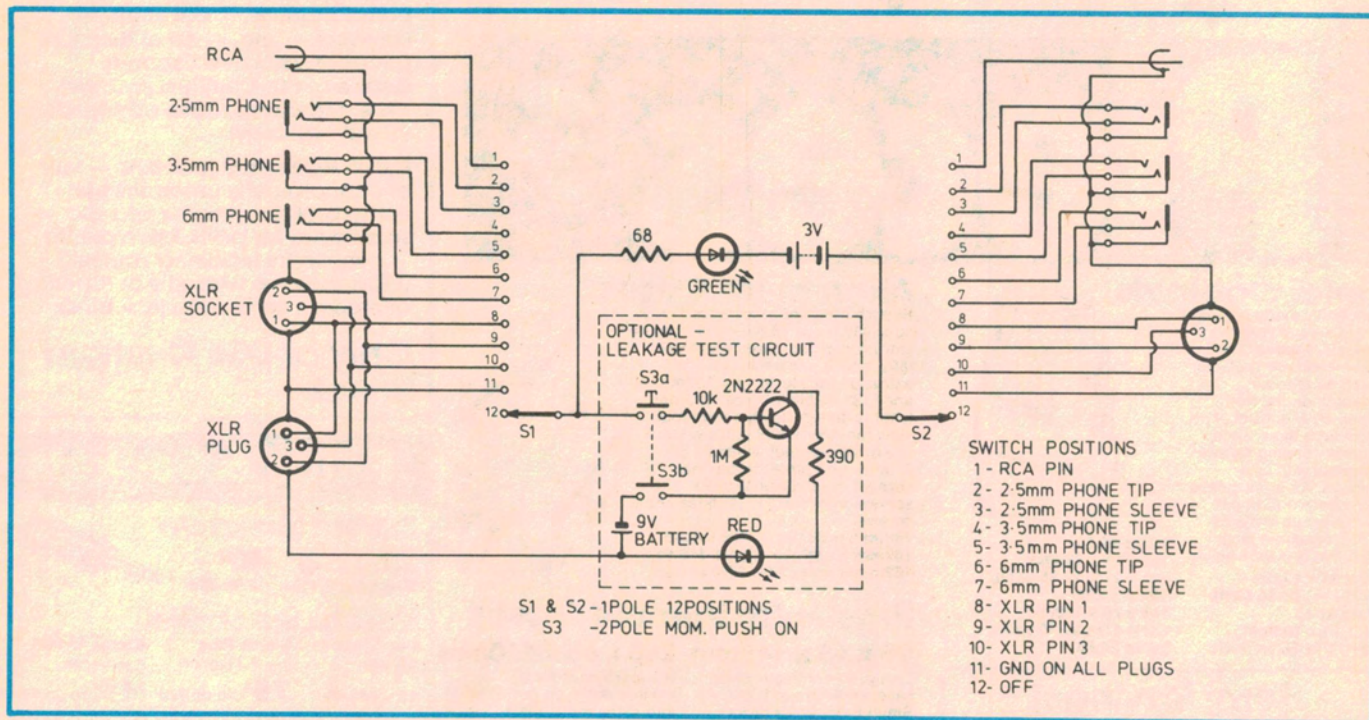


# Circuit & Design Ideas

Interesting circuit ideas from readers and technical literature. While this material has been checked as far as possible, the circuits have not been built and tested by us. As a consequence, we cannot accept responsibility, enter into correspondence or provide constructional details.



## Cable tester

This circuit was designed to test audio cables as used by musicians and clubs using audio equipment.

By using stereo phone sockets (2.5mm, 3.5mm, 6.5mm) mono plugs used on cables may be checked as well. A cannon XLR plug and socket were used on one side to give a greater flexibility.

Short leads with back-to-back stereo

phone plugs are used to adapt the phone sockets to suit line sockets. The same may be done to the RCA socket.

With the use of two single pole twelve position switches, it is possible to check over a hundred different combinations of audio cables.

While the unit is also able to check for short circuits to ground from the centre pins, the optional circuit within

the dotted line will check for a high resistance leak to the ground side of any cable plugged into the left hand side. With the circuit values shown, resistances of up to one megohm can be detected.

Keith Wilkinson-Reed,  
East Devonport, Tas.

**\$10**