

Short Circuits

BENCH AMP



THE AMPLIFIER TO BE described here differs in one major respect to most others - it can be used as an accurate millivoltmeter! One of the most awkward things to measure in a lab is an audio signal of less than a volt. Specialist meters are expensive, and rarely justifiable for an amateur; hence this project. This provides at least an 'order of magnitude' reading, and in most cases an accurate value can be assigned to the signal.

The circuit is basically an audio pre- and power amplifier combination, with switchable preamp gain. Depending on which sensitivity is selected, the gain of the 741 is so adjusted as to produce the specified input to drive the LM380 to the point of clipping. This voltage in turn is just sufficient to cause the LED to light.

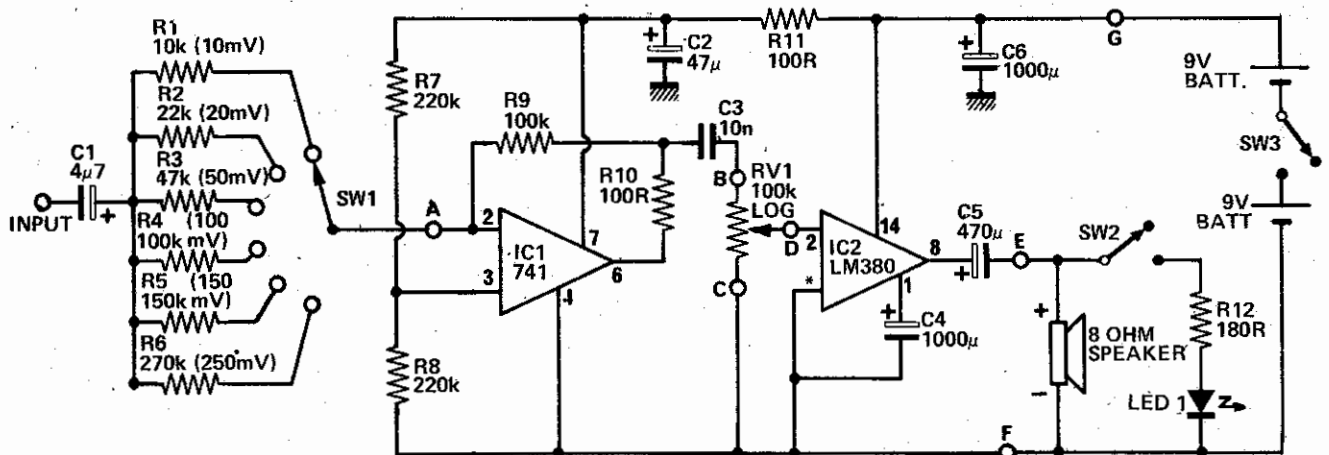
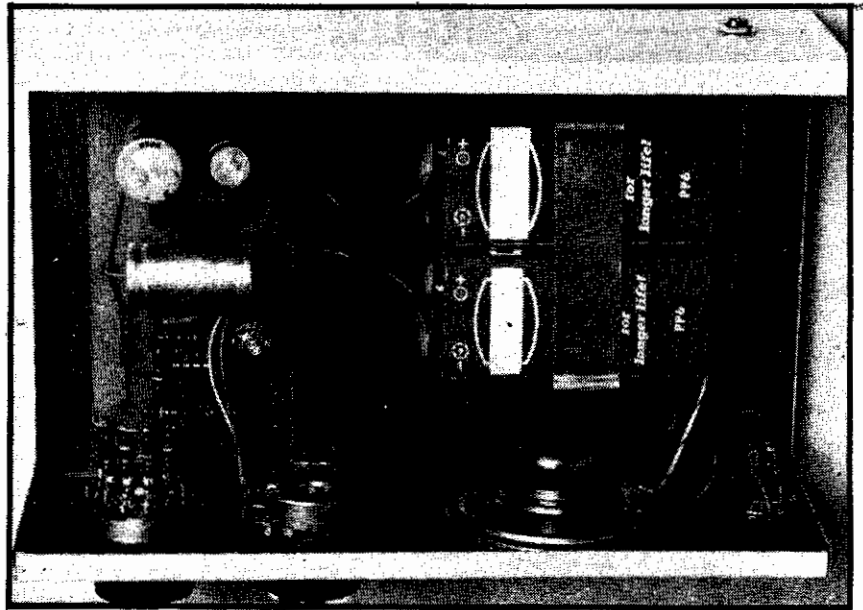
To measure an A.C. signal, turn the volume control to maximum, and apply the input to the socket and work down from the lowest sensitivity until LED just comes on. The value of the input is now indicated by the switch. We tried several 380s and

several dozen LEDs to see if our results were repeatable: they were. In all cases we were within 10% of the value of the signal!

How it works

The gain of IC1 is set by the ratio $R9/R1$ - 6 Resistors R1 - 6 vary this from ≈ 20 to ≈ 0.5 . Thus to produce 100mV across RV1, inputs from 5mV to 200mV are required. R7 and R8 bias the non-inverting input to 4.5V and R10 is included to protect the chip. Since D.C. gain of the circuit is unity, the output will set at +4.5V D.C., providing maximum swing capability. To minimize output offset due to bias current, the value of R7 and R8 in parallel should be approximately the same value at R9. Bear this in mind if you intend to alter the supply voltage.

R11 and C2 provide decoupling for the 741 rail, as C6 does for the LM380. This capacitor can be increased in value to advantage with a supply not entirely stable. If another value of impedance speaker is employed, R12 will have to be altered to maintain the conditions.



* PINS 3,4,5,7,10,11,12 ARE CONNECTED TO 0V

Circuit diagram of the Bench Amp