

## IDEAS FOR EXPERIMENTERS

### 4 Channel 4 track mixer

This circuit was sent to us by R. Jager of North Geelong.

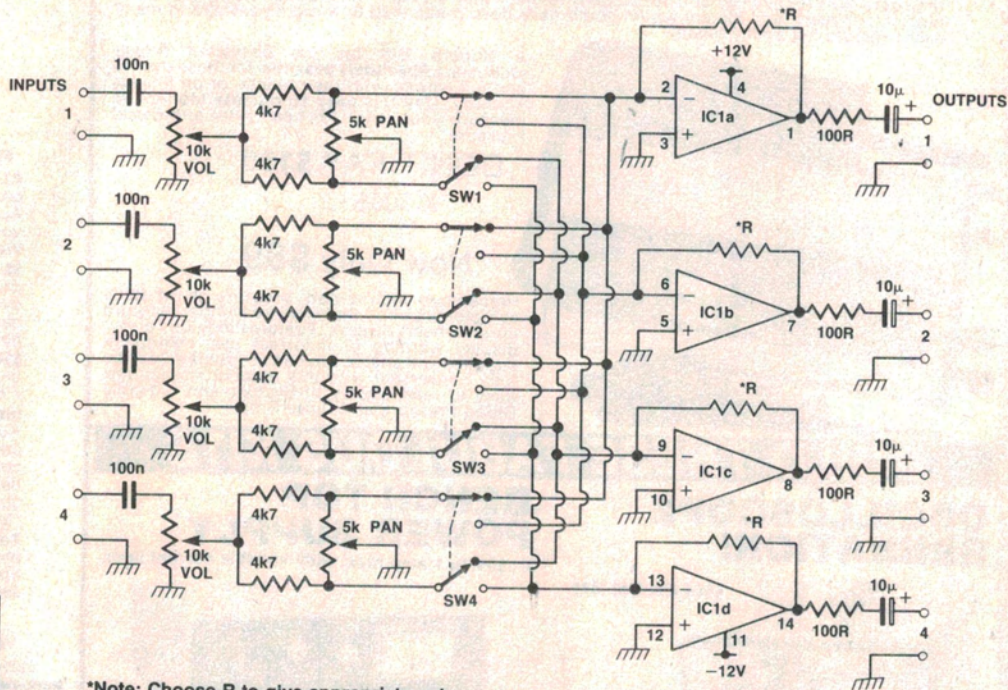
It features a four channel mixer with a 4 track output. This can be used as a stereo mixer as well as a four track. The heart of the circuit is a quad op-amp IC which gives you a little bit of gain for each track.

The pan control lets you pan between tracks one and two with the switch in the up position and with the switch in the down position it lets you pan between tracks three and four.

Extra channels may be added.

A suitable op-amp for IC1 is TL074 or similar.

*We have received headlight delay circuits to fill pages of 'ideas for experimenters'. So in the interests of variety please no more, they run little chance of being printed.*



\*Note: Choose R to give appropriate gain.