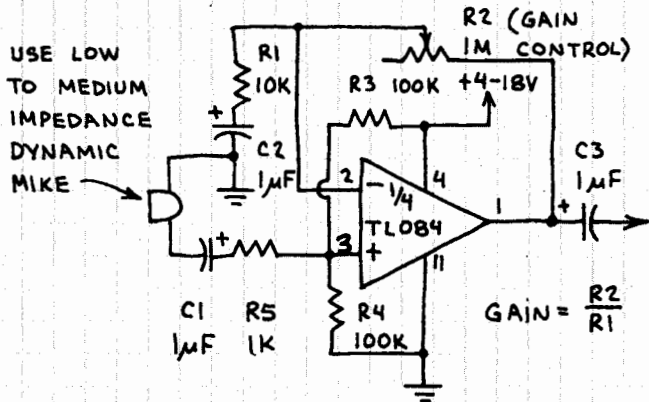


MICROPHONE PREAMPLIFIER



NOTE SINGLE POLARITY POWER SUPPLY (THANKS TO R3 AND R4) AND AC COUPLING.