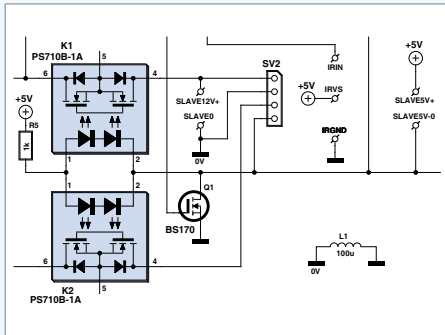


Corrections & Updates

Mini Preamp

October 2009, p. 68-71, ref. 090241-1

Regrettably a few errors have crept into the circuit diagram in Figures 1 and 2. In Figure 1, components K1 and K2 are drawn incorrectly and an inductor is missing between the analogue and digital ground lines.



In Figure 2, the relay contacts are drawn incorrectly in their non-actuated state, which suggests all inputs are interconnected. Also, two miniature chokes are missing in the +12 V and -12 V supply lines.

The corrected sections of the circuit diagrams are shown here. The electronic version (.pdf) of the article on the Elektor website contains the corrected diagrams.

