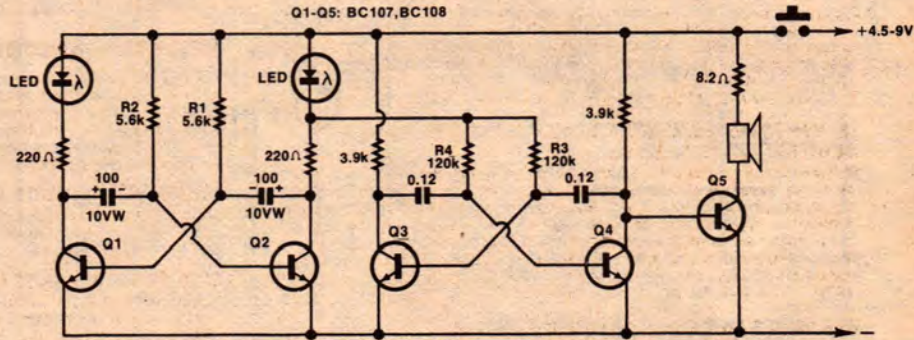


Hee-Haw Siren

This hee-haw siren can be installed in a toy fire engine or police car in order to provide a more interesting and realistic toy. Although many siren circuits have been described, this one has the advantage that it also provides one or two flashing beacons.

Transistors Q1 and Q2 form a multivibrator with a period of about 0.6 second, flashing the LED beacons and "frequency modulating" and multivibrator formed by Q3 and Q4. Q5 amplifies the output and drives the speaker.

A small speaker from a scrapped transistor radio can be used for the output transducer. If a speaker with an im-



HEE-HAW SIREN FOR TOYS

pedance greater than 22 ohms is used, the series resistor may be omitted. If only one beacon is required, the LED in

the collector circuit of Q1 may be omitted and the 220 ohm resistor increased to 560 ohms.