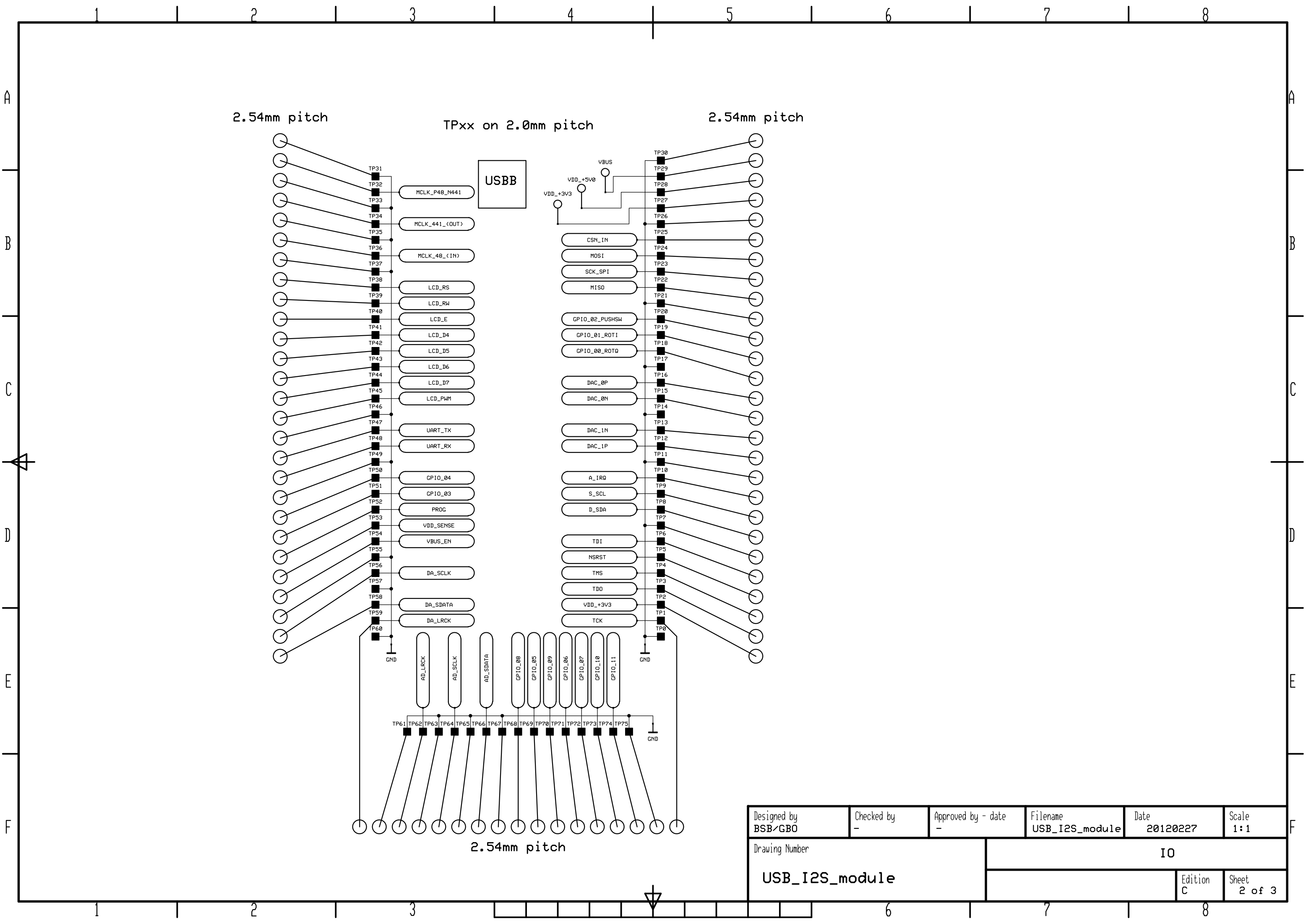


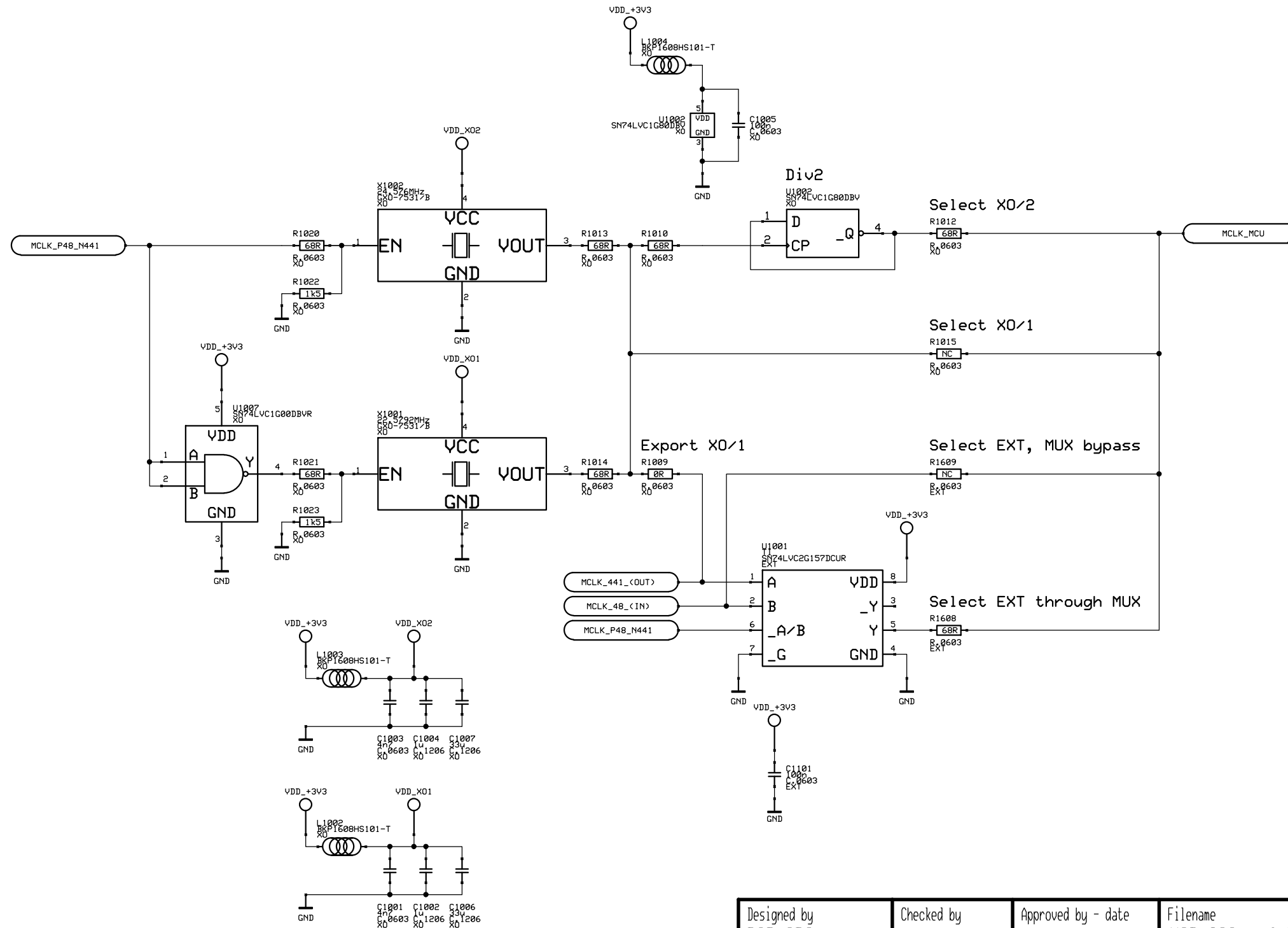
SDR Widget BETA 2.0 by George Boudreau
 Adapted by Borge Strand-Bergesen, QNKC

Designed by BSB/GB0	Checked by -	Approved by - date -	Filename USB_I2S_module	Date 20120227	Scale 1:1
Drawing Number USB_I2S_module			Top		
				Edition C	Sheet 1 of 3



Designed by BSB/GBO	Checked by -	Approved by - date -	Filename USB_I2S_module	Date 20120227	Scale 1:1
Drawing Number USB_I2S_module			IO		
			Edition C	Sheet 2 of 3	

Two assembly VARIANTS defined:
 "X0" for internal oscillators, div-1 out, div-2 to MCU
 "EXT" for external oscillators, MUX to MCU



Designed by BSB/GBO	Checked by -	Approved by - date -	Filename USB_I2S_module	Date 20120227	Scale 1:1
Drawing Number USB_I2S_module			Clocks		
				Edition C	Sheet 3 of 3