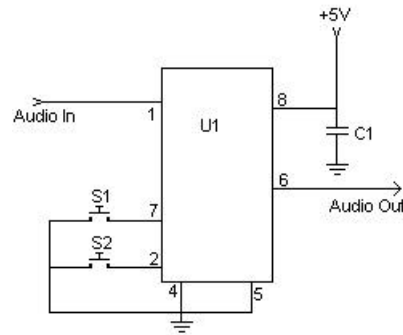


circuit name:

Digital Volume Control

disclaimer



Parts List:

Component:	Value:	Datasheet:	Qty:
Capacitor [C1]	0.1uF	Not Available	01
IC [U1]	DS1669	Not Available	01
Switch [S1, S2]	PushButton	Not Available	02

- S1 turns the volume up, S2 turns it down.
- The input signal should not fall below -0.2 volts.

[← back](#)