

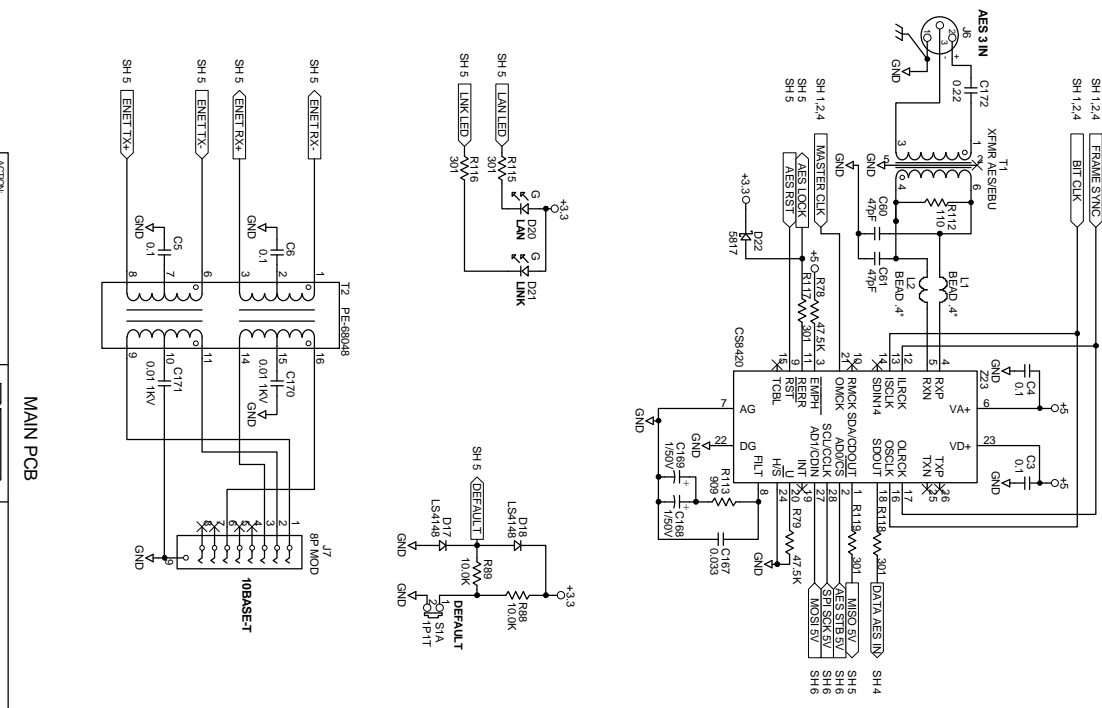
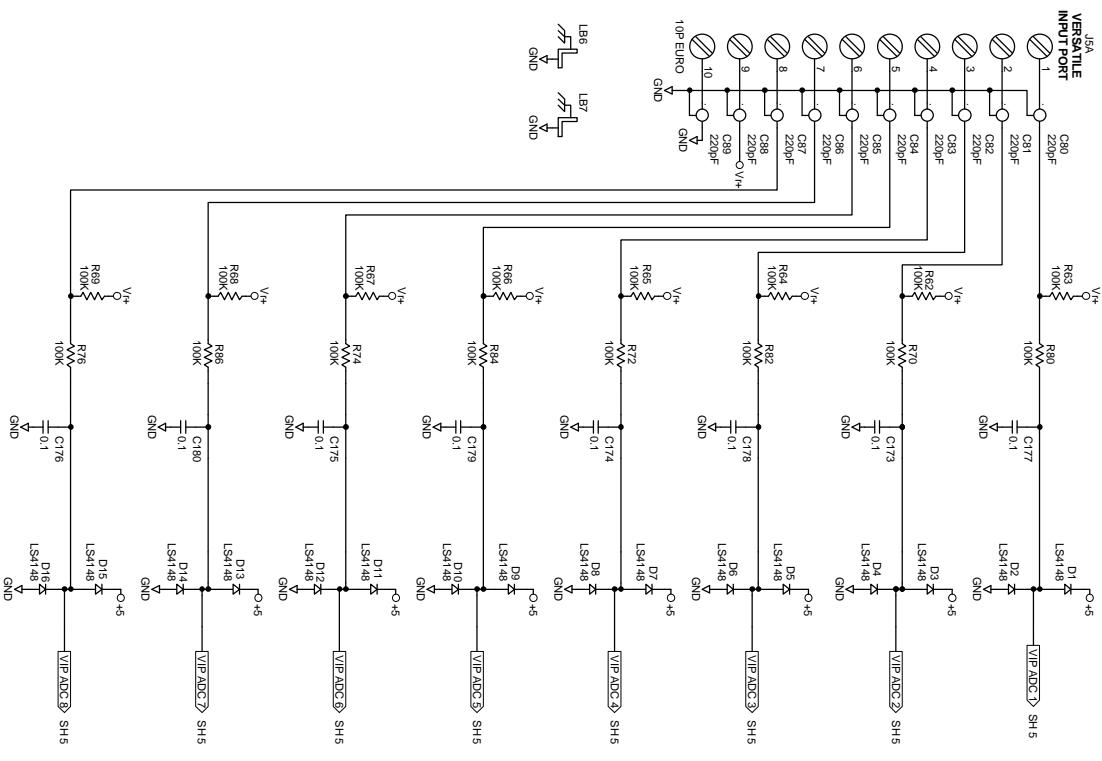
LEVEL = 21.5dBu

OUTPUT LEVEL = 24 dBu  
G = 1.4



ACTION:	REWORK:	CHK:	DATE:
	MRR	CEG	
<b>RAVE</b>			
10802 47th Avenue W/68 Muller VA 98275-5098			
<b>DACS RPM 26z</b>			
2 of 8 105754			

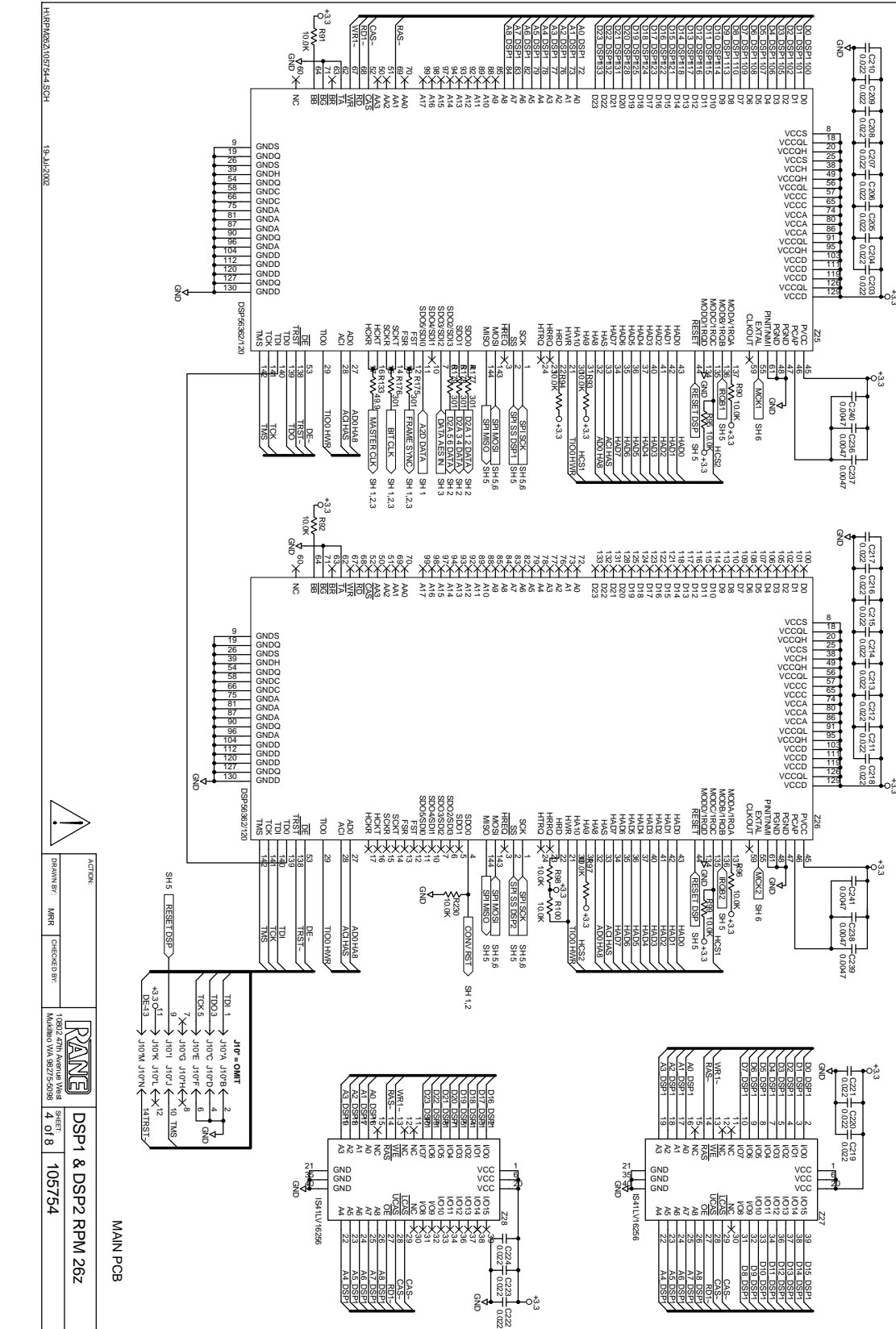
**MAIN PCB**



ACTION		DRAWN BY		CHECKED BY		DATE	
		MRR				10802 47th Avenue West Murrieta, CA 92562-5098	
						3 of 8	
						105754	

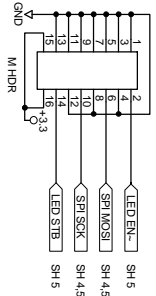
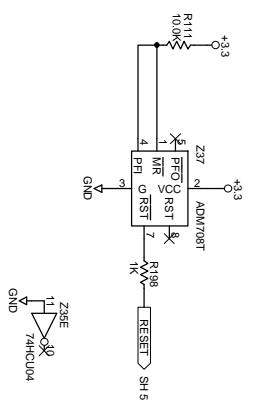
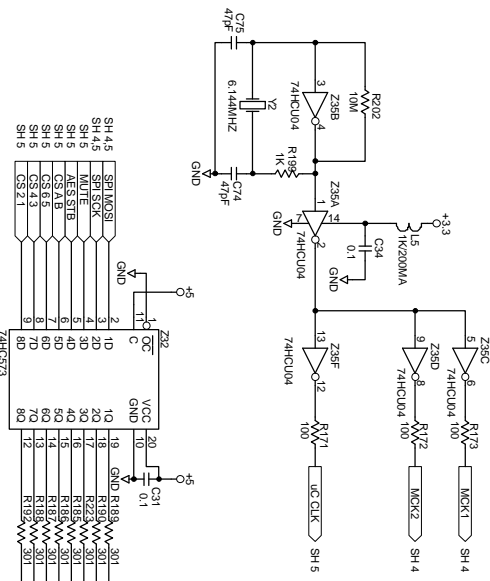
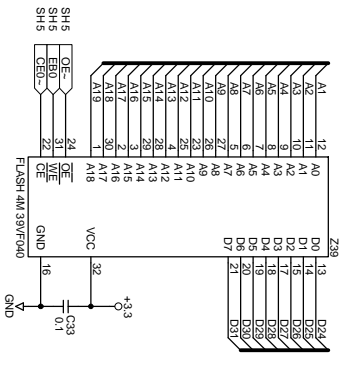
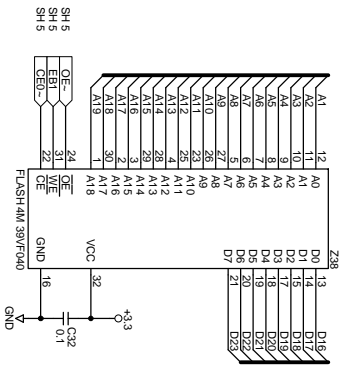
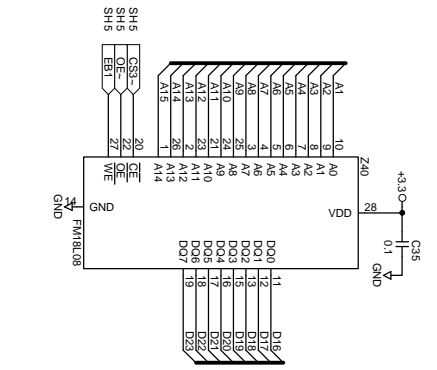
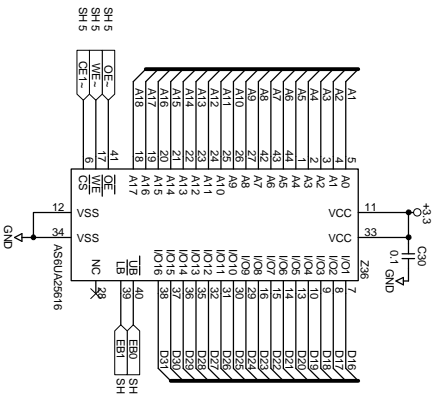
**RAVE**  
I/O RPM 262

MAIN PCB



ACTION:  DRAWN BY: MRR  
 CHECKED BY:   
 10802 27th Avenue West  
 VANUVER WA 98273-3388  
**PANE**  
 DSP1 & DSP2 RPM 26Z  
 SHEET 14 OF 8  
 105754  
 MAIN PCB  
 19 JUN 2002  
 H:\RPM2\097544.SCH

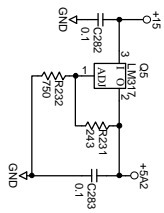
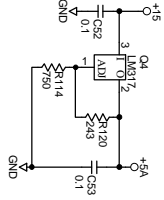
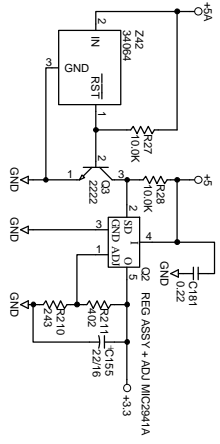
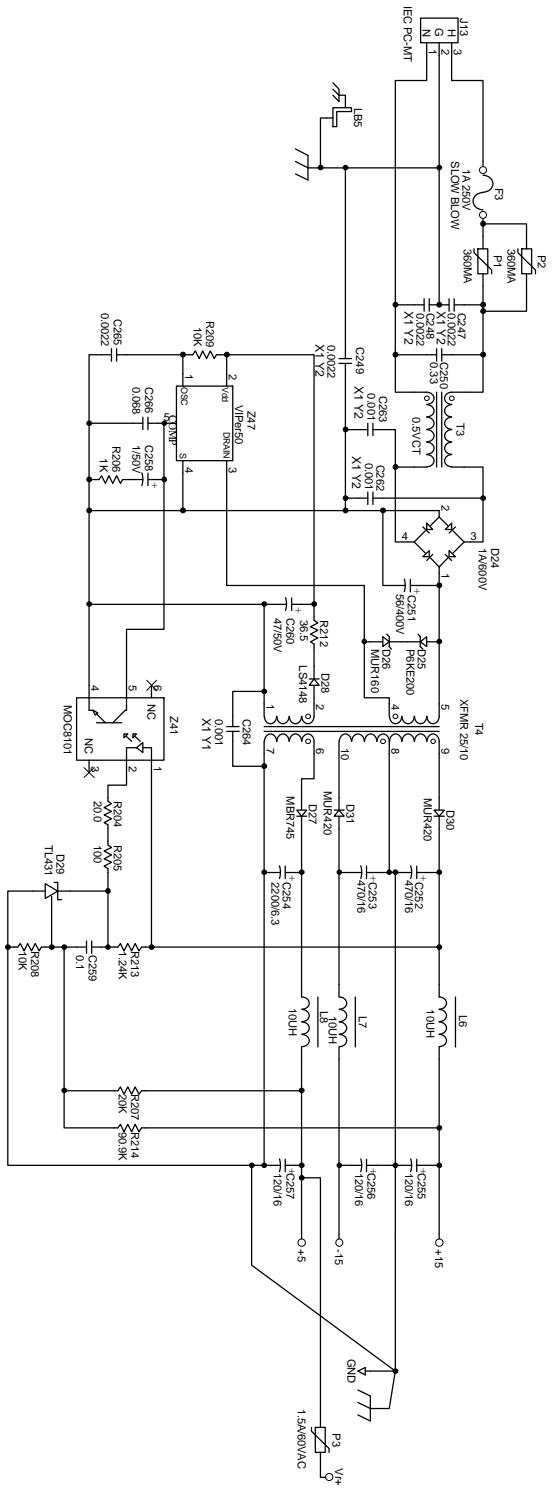




ACTION		DRAWN BY: MRR		CHECKED BY:	
10802 47th Avenue West		PANE		MISC./MEMORY RPM 26z	
Mulliken WA 98275-5098		6 of 8		105754	

MAIN PCB



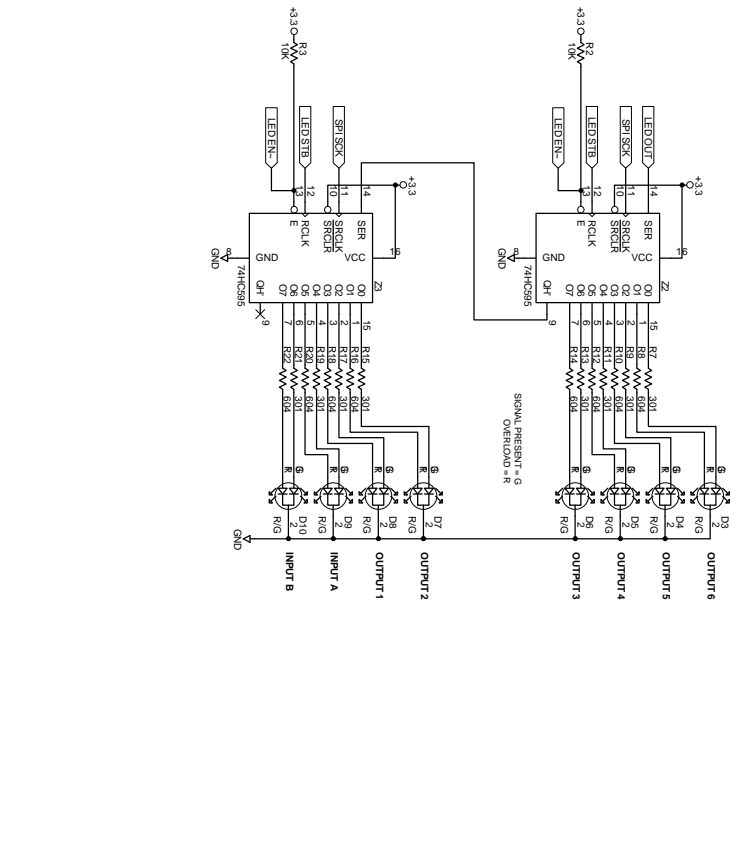
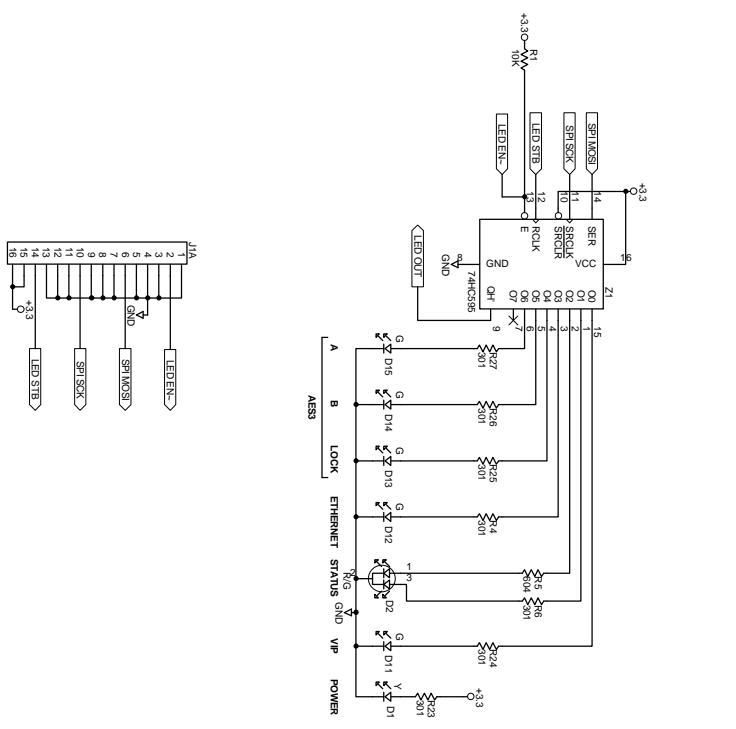


ACTION:	REVISION:	DATE:
DESIGNED BY: MRR	CHECKED BY:	

**RANE**  
10802 47th Avenue West  
Maple Ridge, B.C. V2X 5S9

**POWER RPM 262**  
SHEET 7 of 8  
105754

MAIN PCB



LED PCB

ACTION		
DRAWN BY: MBR	CHECKED BY:	
10802 27th Avenue West Tukwila WA 98175-3038		
SHEET 8		105754
LEDs RPM 26Z		