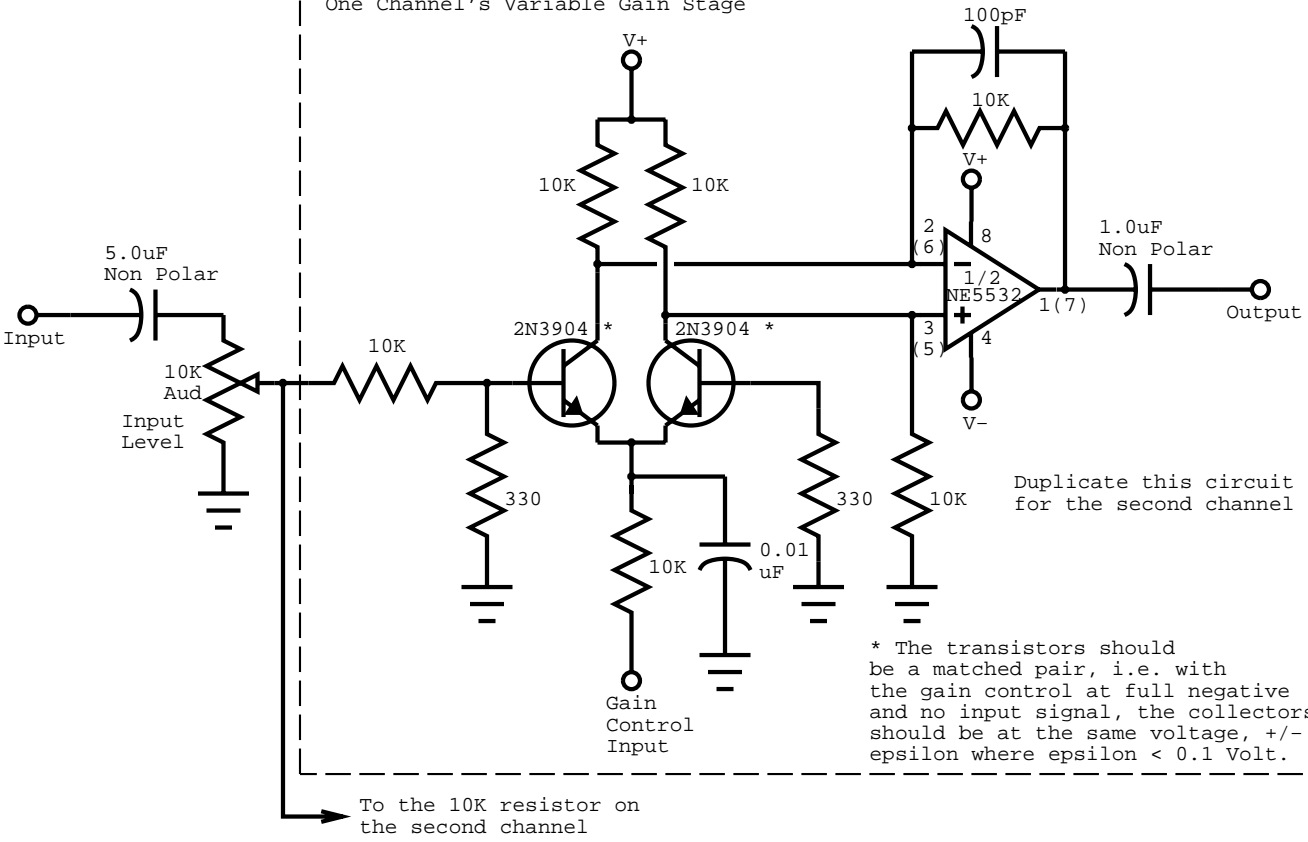


# Voltage Controlled Panner

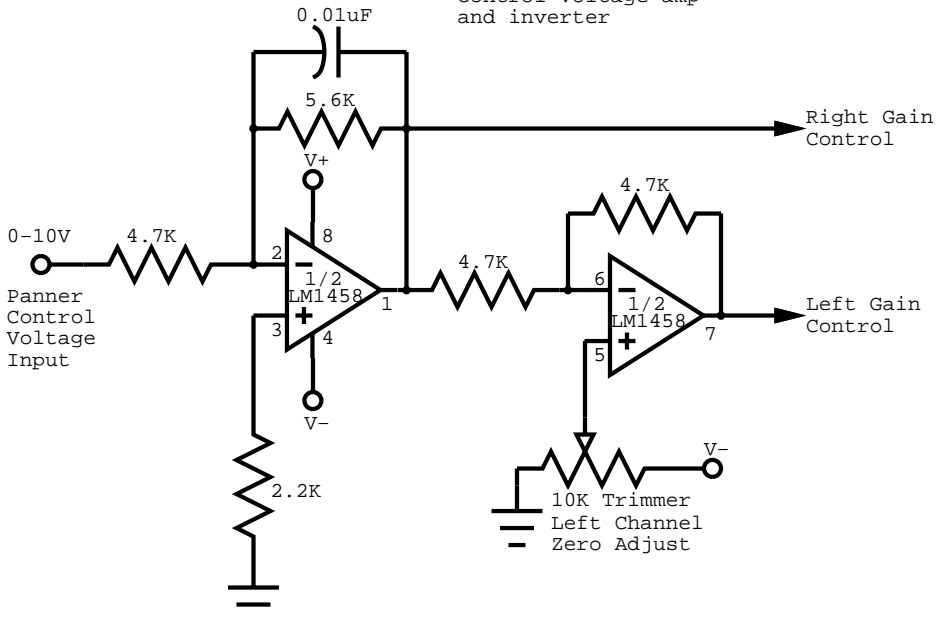
© G. Forrest Cook 1994

cook@stout.atd.ucar.edu

## One Channel's Variable Gain Stage



## control voltage amp and inverter



## The power supply is +/- 15 VDC

## power supply filter

