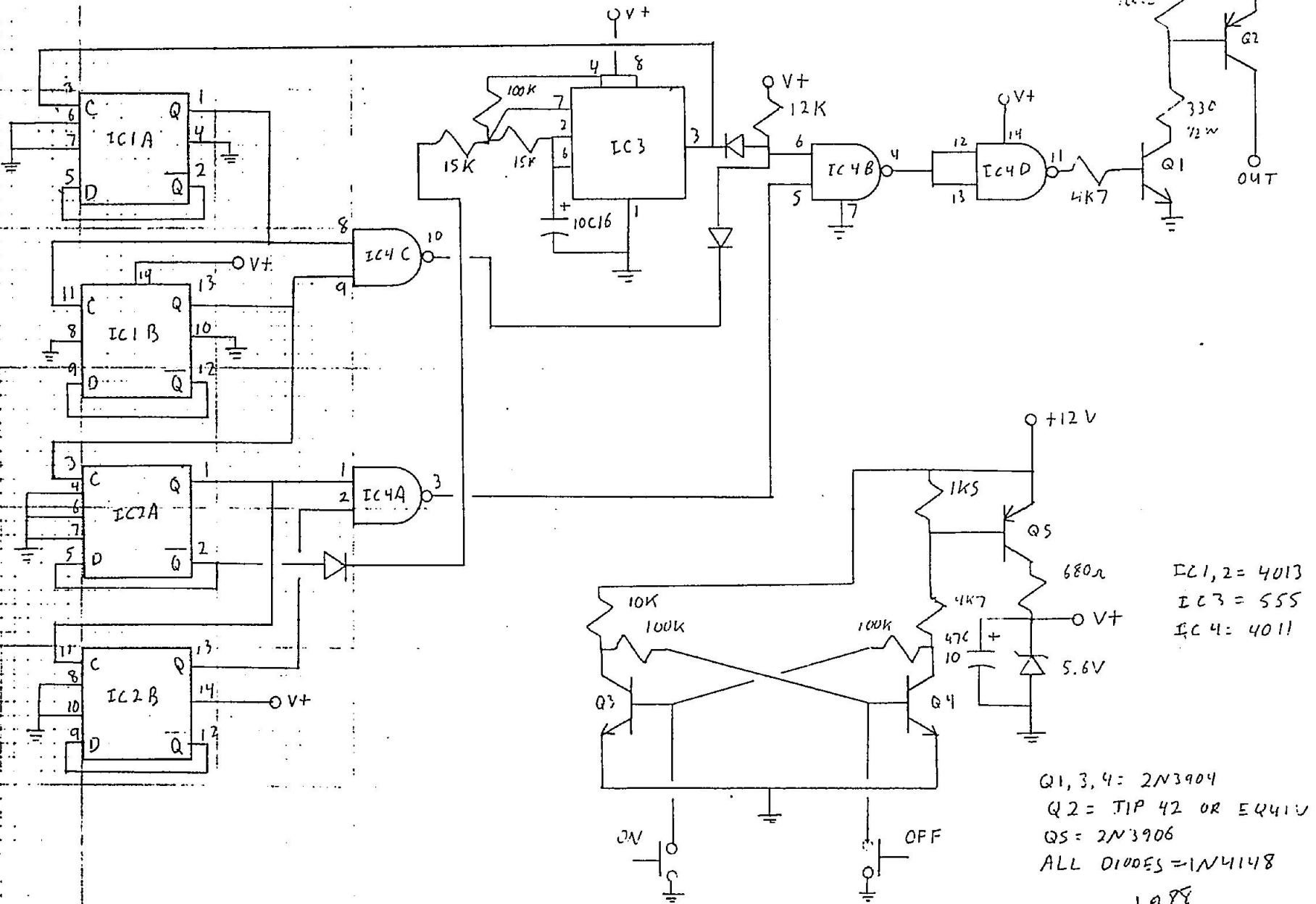


SOS FLASHER



IC1, 2 = 4013
 IC3 = 555
 IC4 = 4011

Q1, 3, 4 = 2N3904
 Q2 = TIP 42 OR EQ41V
 Q5 = 2N3906
 ALL DIODES = 1N4148

1988