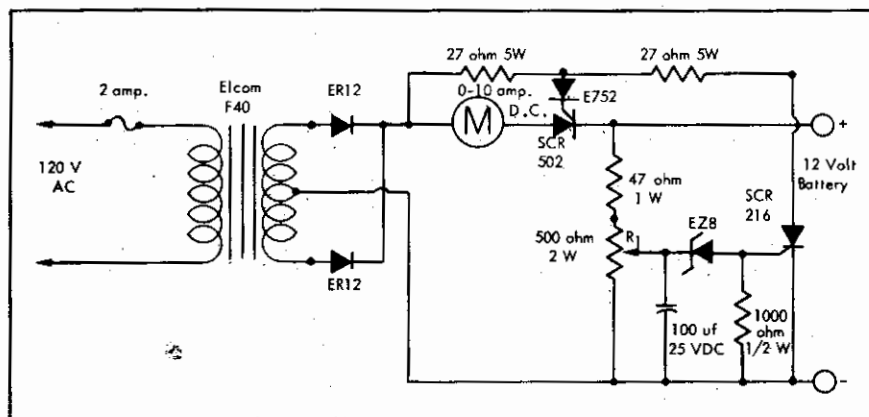


# ELCOM

## Regulated Battery Charger



This battery charger will charge the battery at maximum possible rate until fully charged and then shut itself off. It will start itself when the battery becomes discharged and repeat the cycle.

$R_1$  is adjusted using a fully charged battery so that charging just ceases.