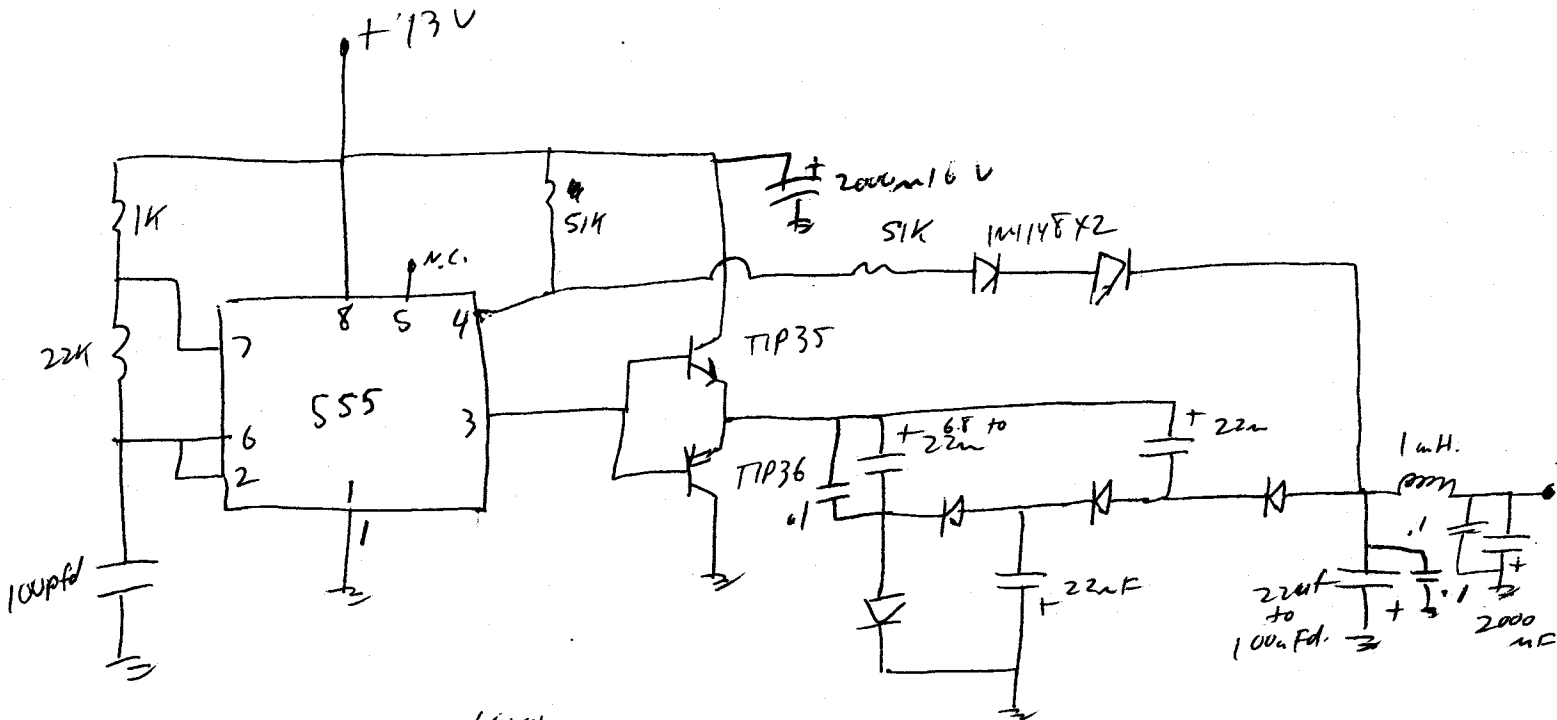


TO:  
 HOWARD  
 276-0409



RMS ABOUT 66KHz.

4X High Speed 1A  
 rectifier  
 - GP4002 or equal.

- +13V to -13V regulated inverter.
- Tested to 200mA load. (Draws 400mA from supply with 200mA load).
- As built May 29, 1994.

Dan Frosen  
 Howard Doctor